

TÜRK LOYDU



Chapter 10 – Liquefied Gas Carriers JULY 2016

This latest edition incorporates all rule changes. The latest revisions are shown with a vertical line. The section title is framed if the section is revised completely. Changes after the publication of the rule are written in red colour.

Unless otherwise specified, these Rules apply to ships for which the date of contract for construction as defined in IACS PR No.29 is on or after 1st July 2016. New rules or amendments entering into force after the date of contract for construction are to be applied if required by those rules. See Rule Change Notices on TL website for details.

"General Terms and Conditions" of the respective latest edition will be applicable (see Rules for Classification and Surveys).

If there is a difference between the rules in English and in Turkish, the rule in English is to be considered as valid. This publication is available in print and electronic pdf version. Once downloaded, this document will become UNCONTROLLED. Please check the website below for the valid version.

<http://www.turkloydu.org>

All rights are reserved by Türk Loydu, and content may not be reproduced, disseminated, published, or transferred in any form or by any means, except with the prior written permission of TL.

TÜRK LOYDU

Head Office

Postane Mah. Tersaneler Cad. No:26 Tuzla 34944 İSTANBUL / TÜRKİYE

Tel : +90 216 581 37 00

Fax : +90 216 581 38 00

E-mail : Info@turkloydu.org

<http://www.turkloydu.org>

Regional Offices

Ankara

Eskişehir Yolu Mustafa Kemal Mah. 2159. Sokak No : 6/4 Çankaya - ANKARA / TÜRKİYE

Tel : +90 312 219 56 34

Fax : +90 312 219 68 25

E-mail : ankara@turkloydu.org

İzmir

Atatürk Cad. No: 378 K.4 D.402 Kavalalılar Apt. 35220 Alsancak - İZMİR / TÜRKİYE

Tel : +90 232 464 29 88

Fax : +90 232 464 87 51

E-mail : izmir@turkloydu.org

Adana

Çınarlı Mah. Atatürk Cad. Aziz Naci İş Merkezi No:5 K.1 D.2 Seyhan - ADANA / TÜRKİYE

Tel : +90 322 363 30 12

Fax : +90 322 363 30 19

E-mail : adana@turkloydu.org

Marmaris

Atatürk Cad. 99 Sok. No:11 Kat:4 Daire 6 Marmaris - MUĞLA / TÜRKİYE

Tel : +90 252 412 46 55

Fax : +90 252 412 46 54

E-mail : marmaris@turkloydu.org

	Page
Section 1 - General, Character of Classification, Definitions, Surveys and Certification	
A. General.....	1- 2
B. Character of Classification, Entries into the Class Certificate, Documents for Approval	1- 6
C. Definitions.....	1- 8
D. Surveys and Certification.....	1- 13
E. Additional Requirements.....	1- 13
 Section 2 - Ship Survival Capability and Location of Cargo Tanks	
2.1 General	2- 2
2.2 Freeboard and Intact Stability	2- 3
2.3 Damage Assumptions	2- 4
2.4 Location of Cargo Tanks	2- 5
2.5 Flood Assumptions	2- 13
2.6 Standard of Damage	2- 14
2.7 Survival Requirements	2- 15
 Section 3 - Ship Arrangements	
3.1 Segregation of the Cargo Area	3- 2
3.2 Accommodation, Service and Machinery Spaces and Control Stations.....	3- 2
3.3 Cargo Machinery Spaces and Turret Compartments	3- 4
3.4 Cargo Control Rooms	3- 5
3.5 Access to Spaces in the Cargo Area	3- 5
3.6 Airlocks	3- 9
3.7 Bilge, Ballast and Oil Fuel Arrangements	3-10
3.8 Bow and Stern Loading and Unloading Arrangements	3-11
 Section 4 - Cargo Containment	
4.1 Definitions	4- 2
4.2 Application.....	4- 2
4.3 Functional Requirements	4- 2
4.4 Cargo Containment Safety Principles.....	4- 4
4.5 Secondary Barriers In Relation To Tank Types	4- 5
4.6 Design Of Secondary Barriers	4- 5
4.7 Partial Secondary Barriers And Primary Barrier Small Leak Protection System	4- 7
4.8 Supporting Arrangements	4- 7
4.9 Associated Structure And Equipment	4- 7
4.10 Thermal Insulation	4- 8
4.11 General	4- 8
4.12 Permanent Loads	4- 8
4.13 Functional Loads.....	4- 8
4.14 Environmental Loads	4-10
4.15 Accidental Loads	4- 12
4.16 General	4- 12

Contents

4.17	Structural Analyses	4- 13
4.18	Design Conditions	4- 19
4.19	Materials	4- 23
4.20	Construction Processes	4- 24
4.21	Type A Independent Tanks	4- 24
4.22	Type B Independent Tanks	4- 26
4.23	Type C Independent Tanks	4- 29
4.24	Membrane Tanks	4- 35
4.25	Integral Tanks.....	4- 39
4.26	Semi-Membrane Tanks	4- 40
4.27	Limit State Design For Novel Concepts.....	4- 40
4.28	Guidance Notes For Section 4	4- 41

Section 5 - Process Pressure Vessels and Liquid, Vapour and Pressure Piping Systems

5.1	General	5- 2
5.2	System Requirements	5- 2
5.3	Arrangements For Cargo Piping Outside The Cargo Area	5- 3
5.4	Design Pressure	5- 4
5.5	Cargo System Valve Requirements	5- 5
5.6	Cargo Transfer Arrangements.....	5- 6
5.7	Installation Requirements	5- 7
5.8	Piping Fabrication And Joining Details	5- 8
5.9	Welding, Post-Weld Heat Treatment And Non-Destructive Testing	5- 9
5.10	Installation Requirements For Cargo Piping Outside The Cargo Area	5- 9
5.11	Scantlings For Internal Pressure And Component Requirements	5-10
5.12	Materials.....	5-13
5.13	Testing Requirements	5-13

Section 6 - Materials of Construction And Quality Control

6.1	Definitions	6- 2
6.2	Scope And General Requirements.....	6- 2
6.3	General Test Requirements And Specifications	6- 3
6.4	Requirements For Metallic Materials.....	6- 5
6.5	Welding of Metallic Materials And Non-Destructive Testing	6-10
6.6	Other Requirements For Construction In Metallic Materials	6-14
6.7	Non-metallic materials.....	6-16

Section 7 - Cargo Pressure/Temperature Control

7.1	Methods of Control	7- 2
7.2	Design of Systems	7- 2
7.3	Reliquefaction of Cargo Vapours	7- 2
7.4	Thermal Oxidation of Vapours.....	7- 3
7.5	Pressure Accumulation Systems	7- 4
7.6	Liquid Cargo Cooling.....	7- 4
7.7	Segregation	7- 4
7.8	Availability	7- 4

Section 8 - Vent Systems For Cargo Containment

8.1	General	8- 2
8.2	Pressure Relief Systems	8- 2
8.3	Vacuum Protection Systems	8- 5
8.4	Sizing of Pressure Relieving System.....	8- 5

Section 9 - Cargo Containment System Atmosphere Control

9.1	Environmental Atmosphere Control Within The Cargo Containment System.....	9- 2
9.2	Atmosphere Control Within The Hold Spaces (Cargo Containment Systems Other Than Type C Independent Tanks).....	9- 2
9.3	Environmental Control of Spaces Surrounding Type C Independent Tanks	9- 2
9.4	Inerting	9- 3
9.5	Inert Gas Production on Board	9- 3

Section 10 - Electric Installations

10.1	Definitions	10- 2
10.2	General Requirements	10- 2
10.3	Bonding	10- 3

Section 11 - Fire Protection and Fire Extinction

11.1	Fire Safety Requirements	11- 2
11.2	Fire Main And Hydrants	11- 2
11.3	Water Spray System	11- 3
11.4	Dry Chemical Powder Fire-Extinguishing Systems	11- 5
11.5	Enclosed Spaces Containing Cargo Handling Equipment.....	11- 6
11.6	Firefighter's Outfits	11- 6

Section 12 - Artificial Ventilation in The Cargo Area

12.1	Spaces Required to be Entered During Normal Cargo Handling Operations	12- 2
12.2	Spaces Not Normally Entered	12- 3

Section 13 - Instrumentation and Automation Systems

13.1	General	13- 2
13.2	Level Indicators For Cargo Tanks	13- 2
13.3	Overflow Control.....	13- 3
13.4	Pressure Monitoring	13- 3
13.5	Temperature Indicating Devices.....	13- 4
13.6	Gas Detection.....	13- 4
13.7	Additional Requirements For Containment Systems Requiring A Secondary Barrier Gas Detection	13- 7
13.8	Automation Systems	13- 8
13.9	System Integration	13- 8

Section 14 - Personnel Protection

14.1 Protective Equipment 14- 2

14.2 First Aid Equipment 14- 2

14.3 Safety Equipment 14- 2

14.4 Personnel Protection Requirements for Individual Products 14- 3

Section 15 - Filling Limits For Cargo Tanks

15.1 Definitions 15- 2

15.2 General Requirements 15- 2

15.3 Default Filling Limit 15- 2

15.4 Determination of Increased Filling Limit 15- 2

15.5 Maximum Loading Limit 15- 3

15.6 Information To Be Provided To The Master 15- 4

Section 16 - Use of Cargo as Fuel

16.1 General 16- 2

16.2 Use of Cargo Vapour As Fuel 16- 2

16.3 Arrangement of Spaces Containing Gas Consumers 16- 2

16.4 Gas Fuel Supply 16- 2

16.5 Gas Fuel Plant And Related Storage Tanks 16- 5

16.6 Special Requirements For Main Boilers 16- 6

16.7 Special Requirements For Gas-Fired Internal Combustion Engines 16- 7

16.8 Special Requirements For Gas-Turbine 16- 9

16.9 Alternative Fuels And Technologies 16-10

Section 17 - Special Requirements

17.1 General 17- 2

17.2 Materials of Construction 17- 2

17.3 Independent Tanks 17- 2

17.4 Refrigeration Systems 17- 2

17.5 Cargoes Requiring Type 1G Ship 17- 3

17.6 Exclusion of Air From Vapour Spaces 17- 3

17.7 Moisture Control 17- 3

17.8 Inhibition 17- 3

17.9 Flame Screens On Vent Outlets 17- 4

17.10 Maximum Allowable Quantity of Cargo Per Tank 17- 4

17.11 Cargo Pumps And Discharge Arrangements 17- 4

17.12 Ammonia 17- 4

17.13 Chlorine 17- 5

17.14 Ethylene Oxide 17- 7

17.15 Separate Piping Systems 17- 8

17.16 Methyl Acetylene-Propadiene Mixtures 17- 8

17.17 Nitrogen 17-10

17.18 Propylene Oxide And Mixtures of Ethylene Oxide-Propylene Oxide With Ethylene
Oxide Content of Not More Than 30% By Weight Methyl Acetylene-
Propadiene Mixtures 17- 10

Contents

17.19	Vinyl Chloride	17- 13
17.20	Mixed C4 Cargoes.....	17- 13
17.21	Carbon Dioxide: High Purity	17-13
17.22	Carbon Dioxide: Reclaimed Quality.....	17-14

Section 18 - Operating Requirements

18.1	General	18- 2
18.2	Cargo Operations Manuals	18- 2
18.3	Cargo Information.....	18- 2
18.4	Suitability For Carriage.....	18- 3
18.5	Carriage of Cargo At Low Temperature	18- 3
18.6	Cargo Transfer Operations.....	18- 4
18.7	Personnel Training	18- 4
18.8	Entry Into Enclosed Spaces	18- 4
18.9	Cargo Sampling.....	18- 5
18.10	Cargo Emergency Shutdown (Esd) System	18- 5
18.11	Hot Work On Or Near Cargo Containment Systems	18- 8
18.12	Additional Operating Requirements.....	18- 8

Section 19 - Summary of Minimum Requirements

19.1	Explanatory Notes to the Summary of Minimum Requirements	19- 2
-------------	--	--------------

Appendices

1.	Appendix 1 - Igc Code Product Data Reporting	A-I-1
2.	Appendix 2 - Model Form of International Certificate of Fitness For The Carriage of Liquefied Gases In Bulk - International Certificate of Fitness For The Carriage of Liquefied Gases In Bulk	A-II-1
3.	Appendix 3 - Example of An Addendum To The International Certificate of Fitness For The Carriage of Liquefied Gases In Bulk	A-III-1
4.	Appendix 4- Non-Metallic Materials	A-IV-1
5.	Appendix 5 - Standard For The Use of Limit State Methodologies In The Design of Cargo Containment Systems of Novel Configuration.....	A-V-1
6.	Appendix 6- Guidelines For The Evaluation of The Adequacy of Type-C Tank Vent Systems	A-VI-1

SECTION 1**GENERAL, CHARACTER OF CLASSIFICATION, DEFINITIONS, SURVEYS AND
CERTIFICATION**

	Page
A. GENERAL	1- 2
B. CHARACTER OF CLASSIFICATION, ENTRIES INTO THE CLASS CERTIFICATE, DOCUMENTS FOR APPROVAL	1- 6
C. DEFINITIONS.....	1- 8
D. SURVEYS AND CERTIFICATION	1- 13
E. ADDITIONAL REQUIREMENTS.....	1- 13

Goal

To provide an international standard for the safe carriage, by sea in bulk, of liquefied gases by laying down the design and construction standards of ships involved in such carriage and the equipment, they shall carry to minimize the risk to the ship, its crew and to the environment, having regard to the nature of the products including flammability, toxicity, asphyxiation, corrosivity, reactivity and low temperature and vapour pressure.

A. General

1. *These Rules apply to ships having their machinery aft and built for the carriage in bulk of liquefied gases and some other products which are listed in Section 19.*
2. *In addition to these Rules the relevant requirements of Rules for Classification and Surveys and the relevant requirements of Chapter 1 – Hull - Sections 1 through 26 and 28 apply.*
3. *For the machinery, the electrical plant and the refrigerating installation of these ships, the Chapters 4 – Machinery, 5 – Electrical Installation and 4 – 1 Automation apply.*
4. *The Rules of this Chapter incorporate the IMO-Resolution MSC.5(48) "International Code for the Construction and Equipment of Ships carrying liquefied Gases in Bulk" (IGC-Code), 1993 edition, as amended.*
5. *Certain requirements of the IGC-Code that are not within the scope of classification, e.g. Item 6. "Equivalents", Section 14, "Personnel Protection", certain operational requirements in Section 17 "Special Requirements" and Section 18 "Operating Requirements" have been included in these rules. Except for paragraph 6 and for operational requirements as mentioned above they will, however, be applied in such instances where*
- 5.1 *The Society is authorized by Administrations to issue on their behalf the "Certificate of Fitness for the Carriage of Liquefied Gases in Bulk" or where*
- 5.2 *The Society is authorized to carry out investigations and surveys on behalf of Administrations on the basis of which the "Certificate of Fitness for the Carriage of Liquefied Gases in Bulk" will be issued by the Administrations, or where*
- 5.3 *The Society is requested to certify compliance with the IGC-Code.*

Note:

- *The term "should be" in the respective Paragraphs or Sections is in such cases to be read as "is" or "are to be". Operating Requirements have been included for guidance only and will not be looked at by the Society.*
- *The words "Administration" and "Code", wherever mentioned, are to be understood as equivalent to the words "TL" and "Rules", respectively, however, for exemptions, waivers, and equivalents, the Administration are to be understood.*
- *Specific requirements of the Society which are additional to the provisions of the IGC-Code as well as interpretations of some Code requirements have been identified by italic fonts.*
- *Differing from the standard construction of the Rules, which is given in this Section 1, Sections 2 – 19 for direct comparison with the IGC-Code are arranged accordingly.*

6. Equivalentents

6.1 Where this Chapter requires that a particular fitting, material, appliance, apparatus, item of equipment or type thereof shall be fitted or carried in a ship, or that any particular provision shall be made, or any procedure or arrangement shall be complied with, the Administration may allow any other fitting, material, appliance, apparatus, item of equipment or type thereof to be fitted or carried, or any other provision, procedure or arrangement to be made in that ship, if it is satisfied by trial thereof or otherwise that such fitting, material, appliance, apparatus, item of equipment or type thereof, or that any particular provision, procedure or arrangement, is at least as effective as that required by this Chapter. However, the Administration may not allow operational methods or procedures to be made as an alternative to a particular fitting, material, appliance, apparatus, and item of equipment, or type thereof that is prescribed by this Chapter, unless such a substitution is specifically allowed by this Chapter.

6.2 When the Administration so allows, any fitting, material, appliance, apparatus, item of equipment, or type thereof, or provision, procedure or arrangement or novel design or application to be substituted, it shall communicate to the Organization the particulars thereof, together with a report on the evidence submitted, so that the Organization may circulate the same to other Contracting Governments to the SOLAS Convention for the information of their officers.

7. Application and implementation

7.1 This Chapter applies to ships regardless of their size, including those of less than 500 gross tonnage, engaged in the carriage of liquefied gases having a vapour pressure exceeding 0.28 MPa absolute at a temperature of 37.8°C and other products, as shown in Section 19, when carried in bulk.

7.2.1 Unless expressly provided otherwise, this Chapter applies to ships whose keels are laid, or which are at a similar stage of construction where:

- Construction identifiable with the ship begins; and
- Assembly of that ship has commenced, comprising at least 50 tonnes or 1% of the estimated mass of all structural material, whichever is less,

on or after 1 July 2016.

7.2.2 For the purpose of, the expression "ships constructed" means ships the keels of which are laid or which are at a similar stage of construction.

7.2.3 Unless expressly provided otherwise, for ships constructed on or after 1 July 1986 and before 1 July 2016, the Administration shall ensure that the requirements which are applicable under this Code, as adopted by resolution MSC.5(48) as amended by resolutions MSC.17(58), MSC.30(61), MSC.32(63), MSC.59(67), MSC.103(73), MSC.177(79) and MSC.220(82), are complied with.

7.3 A ship, irrespective of the date of construction, which is converted to a gas carrier on or after 1 July 2016, shall be treated as a gas carrier constructed on the date on which such conversion commences.

7.4.1 When cargo tanks contain products for which this Chapter requires a type 1G ship, neither flammable liquids having a flashpoint of 60°C (closed cup test) or less, nor flammable products listed in Section 19, shall be carried in tanks located within the protective zones described in Section 2 Item 2.4.1.1.

7.4.2 Similarly, when cargo tanks contain products for which the Code requires a type 2G/2PG ship, the flammable liquids as described in 7.4.1, shall not be carried in tanks located within the protective zones described in Section 2 item 2.4.1.2.

7.4.3 In each case, for cargo tanks loaded with products for which this Chapter requires a type 1G or 2G/2PG ship, the restriction applies to the protective zones within the longitudinal extent of the hold spaces for those tanks.

7.4.4 The flammable liquids and products described in 7.4.1 may be carried within these protective zones when the quantity of products retained in the cargo tanks, for which this Chapter requires a type 1G or 2G/2PG ship is solely used for cooling, circulation or fuelling purposes.

7.5 Except as provided in 7.7.1, when it is intended to carry products covered by this Code and products covered by the *International Code for the Construction and Equipment of Ships Carrying Dangerous Chemicals in Bulk* (IBC Code), adopted by resolution MSC.4(48), as may be amended by the Organization, the ship shall comply with the requirements of both Codes appropriate to the products carried.

7.6.1 Where it is proposed to carry products that may be considered to come within the scope of this Code that are not at present designated in Section 19, the Administration and the port Administrations involved in such carriage shall establish a Tripartite Agreement based on a provisional assessment and lay down preliminary suitable conditions of carriage based on the principles of this Chapter.

7.6.2 For the evaluation of such products, the manufacturer of the product shall submit to the Administration a completed assessment form (see Appendix 1 of this Chapter), which includes the proposed ship type and carriage requirements.

7.6.3 When a provisional assessment for a pure or technically pure product has been completed and agreed with the other parties, the Administration shall submit the assessment form and a proposal for a new and complete entry in the IGC Code, to the relevant sub-committee of the Organization (see appendix 1 of this Chapter).

7.6.4 After provisional assessment by Tripartite Agreement and express or tacit agreement has been established, an addendum to the relevant ship's certificate may be issued (see appendix 3 of this Chapter).

7.7.1 The requirements of this Code shall take precedence when a ship is designed and constructed for the carriage of the following products:

- Those listed exclusively in Section 19 of this Chapter; and
- One or more of the products that are listed both in this Chapter and in the International Bulk Chemical Code. These products are marked with an asterisk in column "a" in the table contained within Section 19.

7.7.2 When a ship is intended to exclusively carry one or more of the products referred to in 7.7.1.2, the requirements of the International Bulk Chemical Code, as amended, shall apply.

7.8 The ship's compliance with the requirements of the International Gas Carrier Code shall be shown by its International Certificate of Fitness for the Carriage of Liquefied Gases in Bulk, as described in International Code for the Construction and Equipment of Ships Carrying Liquefied Gases in Bulk (IGC CODE), as amended by IMO Resolution

MSC.370(93) Chapter 1.4. Compliance with the amendments to this Chapter, as appropriate, shall also be indicated in the International Certificate of Fitness for the Carriage of Liquefied Gases in Bulk.

7.9 Where reference is made in this Chapter to a paragraph, all the provisions of the subparagraph of that designation shall apply.

7.10 When a ship is intended to operate for periods at a fixed location in a re-gasification and gas discharge mode or a gas receiving, processing, liquefaction and storage mode, the Administration and port Administrations involved in the operation shall take appropriate steps to ensure implementation of the provisions of this Chapter as are applicable to the proposed arrangements. Furthermore, additional requirements shall be established based on the principles of this Chapter as well as recognized standards that address specific risks not envisaged by it. Such risks may include, but not be limited to:

- .1 Fire and explosion;
- .2 Evacuation;
- .3 Extension of hazardous areas;
- .4 Pressurized gas discharge to shore;
- .5 High-pressure gas venting;
- .6 Process upset conditions;
- .7 Storage and handling of flammable refrigerants;
- .8 Continuous presence of liquid and vapour cargo outside the cargo containment system;
- .9 Tank over-pressure and under-pressure;
- .10 Ship-to-ship transfer of liquid cargo; and
- .11 Collision risk during berthing manoeuvres.

7.11 Where a risk assessment or study of similar intent is utilized within this Chapter, the results shall also include, but not be limited to, the following as evidence of effectiveness:

- .1 Description of methodology and standards applied;
- .2 Potential variation in scenario interpretation or sources of error in the study;
- .3 Validation of the risk assessment process by an independent and suitable third party;
- .4 Quality system under which the risk assessment was developed;
- .5 The source, suitability and validity of data used within the assessment;

- .6 The knowledge base of persons involved within the assessment;
- .7 System of distribution of results to relevant parties; and
- .8 Validation of results by an independent and suitable third party.

7.12 Although this Chapter is legally treated as a mandatory instrument under the SOLAS Convention, the provisions of Section Item 4.28 and Appendices 1, 3 and 4 of this Chapter are recommendatory or informative.

B. Character of Classification, Entries into the Class Certificate, Documents for Approval

1. Character of Classification

1.1 *Ships complying with the requirements of these Rules will have the Notation:*

LIQUEFIED GAS TANKER

affixed to the Character of Classification.

- 1.2 *Liquefied gas tankers will be assigned the notation FS for characterizing proof of damage stability according to the IGC-Code (Section 2) and after the Character of Classification the relevant ship type notation (Type 1 G, 2 G, 2 PG or 3 G).*
- 1.3 *Liquefied gas tankers equipped with cargo refrigeration system according to Section 7.2 will have the notation **GST** affixed to the Character of Classification for the machinery plant.*
- 1.4 *For liquefied gas tankers a list stating the products permitted to be carried will be issued as an annex to the IMO Certificate of Fitness **(1)**.*

2. Documents for Approval

2.1 *Apart from the documents listed in Chapter 1 – Hull, Section 1, G., the following documents are to be submitted in triplicate:*

- .1 *General arrangement plan,*
- .2 *Data on the location and capacity of cargo tank and products to be carried,*
- .3 *Scantlings and stress analysis of cargo tanks and secondary barrier, if any,*
- .4 *Data of the foundations and the fastening of the cargo tanks and relevant stress analysis,*
- .5 *Calculations of the lowest temperatures of the hull structure considering the insulation according to 4.8 with data on the material selection for the hull,*
- .6 *Data on the ship's ballast condition,*
- .7 *Damage stability calculations if this Society is acting in accordance with A.5.1 to .3.*

(1) *This product list will be made available to the Administration whose flag the ship is entitled.*

- .8 Drawings showing the arrangement of access and inspection openings for compliance with the requirements in Section 3.5 (in particular double bottom and double hull)*
- 2.2 Apart from the documents listed in Chapter 4 – Machinery, Section 20, A.3. the following documents are to be submitted in triplicate:*
- .1 Plans of cargo piping, arrangement of cargo pumps and their drives,*
- .2 Plans and calculations of process pressure vessels, valves,*
- .3 Plans of gas or vapour pipes of the safety relief valves,*
- .4 Plans and calculation of the safety relief valves,*
- .5 Plans of fire extinguishing in the cargo area,*
- .6 Plans of bilge and ballast arrangements in the cargo area,*
- .7 Data on gas-freeing of the cargo containment system, including data on the inert gas plant with assembly and piping plans,*
- .8 Plans for the ventilation of spaces within the cargo area,*
- .9 Data on the gas detection system for the various substances to be transported,*
- .10 Data on the instrumentation of cargo tanks as per Section 13 and data on the temperature monitoring of the hull structure, if required,*
- .11 Description of cargo handling operations,*
- .12 Data on the insulation and proof of its suitability. Proof of sufficient thermal insulation. Calculation of the boil-off rate for the lay-out of the refrigeration plant, if any,*
- .13 Wiring plan including data on certified safe type equipment in gas dangerous spaces and zones,*
- .14 For machinery using gas as fuel:*
- General arrangement plan of the machinery plant,*
 - Gas piping plans for the machinery plant,*
 - Complete list of the safety, gas detection and warning equipment,*
 - Drawings of the internal combustion engines,*
 - Drawings of the boilers,*
 - Drawings of the gas turbines,*

- *Detail drawings of the gas inlet and fuel inlet equipment,*
 - *Gas characteristics,*
 - *General arrangement plan of the gas treatment plant, including gas compressors, prime movers and gas preheaters,*
 - *Drawings of the gas storage tanks,*
 - *Drawings of the gas compressors and preheaters,*
 - *Description of the entire plant,*
- .15 *For Refrigerating Installations the documents listed in Chapter 4-1 – Automation, Section 1, D. - if applicable - are to be submitted.*

C. Definitions

Except where expressly provided otherwise, the following definitions apply to this Chapter. Additional definitions are provided in Sections throughout this Chapter.

1. *Accommodation spaces* are those spaces used for public spaces, corridors, lavatories, cabins, offices, hospitals, cinemas, games and hobby rooms, barber shops, pantries without cooking appliances and similar spaces.
2. *"A" class divisions* are divisions as defined in regulation II-2/3.2 of the SOLAS Convention.
3. *Administration* means the Government of the State whose flag the ship is entitled to fly. For *Administration (port)*, see *port Administration*.
4. *Anniversary date* means the day and the month of each year that will correspond to the date of expiry of the International Certificate of Fitness for the Carriage of Liquefied Gases in Bulk.
5. *Boiling point* is the temperature at which a product exhibits a vapour pressure equal to the atmospheric pressure.
6. *Breadth (B)* means the maximum breadth of the ship, measured amidships to the moulded line of the frame in a ship with a metal shell, and to the outer surface of the hull in a ship with a shell of any other material. The breadth (*B*) shall be measured in metres.
7. *Cargo area* is that part of the ship which contains the cargo containment system and cargo pump and compressor rooms and includes the deck areas over the full length and breadth of the part of the ship over these spaces. Where fitted, the cofferdams, ballast or void spaces at the after end of the aftermost hold space or at the forward end of the foremost hold space are excluded from the cargo area.
8. *Cargo containment system* is the arrangement for containment of cargo including, where fitted, a primary and secondary barrier, associated insulation and any intervening spaces, and adjacent structure, if necessary, for the support of these elements. If the secondary barrier is part of the hull structure, it may be a boundary of the hold space.
9. *Cargo control room* is a space used in the control of cargo handling operations.

10. *Cargo machinery spaces* are the spaces where cargo compressors or pumps, cargo processing units, are located, including those supplying gas fuel to the engine-room.
11. *Cargo pumps* are pumps used for the transfer of liquid cargo including main pumps, booster pumps, spray pumps, etc.
12. *Cargoes* are products listed in Section 19 that are carried in bulk by ships subject to this Chapter.
13. *Cargo service spaces* are spaces within the cargo area, used for workshops, lockers and store-rooms that are of more than 2 m² in area.
14. *Cargo tank* is the liquid-tight shell designed to be the primary container of the cargo and includes all such containment systems whether or not they are associated with the insulation or/and the secondary barriers.
15. *Closed loop sampling* is a cargo sampling system that minimizes the escape of cargo vapour to the atmosphere by returning product to the cargo tank during sampling.
16. *Cofferdam* is the isolating space between two adjacent steel bulkheads or decks. This space may be a void space or a ballast space.
17. *Control stations* are those spaces in which ship's radio, main navigating equipment or the emergency source of power is located or where the fire-recording or fire control equipment is centralized. This does not include special fire control equipment, which can be most practically located in the cargo area.
18. *Flammable products* are those identified by an "F" in column "f" in the table of Section 19.
19. *Flammability limits* are the conditions defining the state of fuel-oxidant mixture at which application of an adequately strong external ignition source is only just capable of producing flammability in a given test apparatus.
20. *FSS Code* is the Fire Safety Systems Code meaning the *International Code for Fire Safety Systems*, adopted by the Maritime Safety Committee of the Organization by resolution MSC.98(73), as amended.
21. *Gas carrier* is a cargo ship constructed or adapted and used for the carriage in bulk of any liquefied gas or other products listed in the table of Section 19.
22. *Gas combustion unit (GCU)* is a means of disposing excess cargo vapour by thermal oxidation.
23. *Gas consumer* is any unit within the ship using cargo vapour as a fuel.
24. *Hazardous area* is an area in which an explosive gas atmosphere is, or may be expected to be present, in quantities that require special precautions for the construction, installation and use of electrical equipment. When a gas atmosphere is present, the following hazards may also be present: toxicity, asphyxiation, corrosivity, reactivity and low temperature. These hazards shall also be taken into account and additional precautions for the ventilation of spaces and protection of the crew will need to be considered. Examples of hazardous areas include, but are not limited to, the following **(2)**:

(2) Refer to Section 10 for a separate list of examples and classification of hazardous areas for the purpose of selection and design of electrical installations.

- The interiors of cargo containment systems and any pipework of pressure-relief or other venting systems for cargo tanks, pipes and equipment containing the cargo;
 - Interbarrier spaces;
 - Hold spaces where the cargo containment system requires a secondary barrier;
 - Hold spaces where the cargo containment system does not require a secondary barrier;
 - A space separated from a hold space by a single gastight steel boundary where the cargo containment system requires a secondary barrier;
 - Cargo machinery spaces;
 - Areas on open deck, or semi-enclosed spaces on open deck, within 3 m of possible sources of gas release, such as cargo valve, cargo pipe flange, cargo machinery space ventilation outlet, etc.;
 - Areas on open deck, or semi-enclosed spaces on open deck within 1.5 m of cargo machinery space entrances, cargo machinery space ventilation inlets;
 - Areas on open deck over the cargo area and 3 m forward and aft of the cargo area on the open deck up to a height of 2.4 m above the weather deck;
 - An area within 2.4 m of the outer surface of a cargo containment system where such surface is exposed to the weather;
 - Enclosed or semi-enclosed spaces in which pipes containing cargoes are located, except those where pipes containing cargo products for boil-off gas fuel burning systems are located;
 - An enclosed or semi-enclosed space having a direct opening into any hazardous area;
 - Void spaces, cofferdams, trunks, passageways and enclosed or semi-enclosed spaces, adjacent to, or immediately above or below, the cargo containment system;
 - Areas on open deck or semi-enclosed spaces on open deck above and in the vicinity of any vent riser outlet, within a vertical cylinder of unlimited height and 6 m radius centred upon the centre of the outlet and within a hemisphere of 6 m radius below the outlet; and
 - Areas on open deck within spillage containment surrounding cargo manifold valves and 3 m beyond these up to a height of 2.4 m above deck.
- 25.** *Non-hazardous area* is an area other than a hazardous area.
- 26.** *Hold space* is the space enclosed by the ship's structure in which a cargo containment system is situated.

27. *IBC Code* means the *International Code for the Construction and Equipment of Ships carrying Dangerous Chemicals in Bulk*, adopted by the Maritime Safety Committee of the Organization by resolution MSC.4(48), as amended.
28. *Independent* means that a piping or venting system, for example, is in no way connected to another system and that there are no provisions available for the potential connection to other systems.
29. *Insulation space* is the space, which may or may not be an interbarrier space, occupied wholly or in part by insulation.
30. *Interbarrier space* is the space between a primary and a secondary barrier, whether or not completely or partially occupied by insulation or other material.
31. *Length (L)* is the length as defined in the International Convention on Load Lines in force.
32. *Machinery spaces of category A* are those spaces, and trunks to those spaces, which contain either:
- Internal combustion machinery used for main propulsion; or
 - Internal combustion machinery used for purposes other than main propulsion where such machinery has, in the aggregate, a total power output of not less than 375 kW; or
 - Any oil-fired boiler or oil fuel unit or any oil-fired equipment other than boilers, such as inert gas generators, incinerators, etc.
33. *Machinery spaces* are machinery spaces of category A and other spaces containing propelling machinery, boilers, oil fuel units, steam and internal-combustion engines, generators and major electrical machinery, oil filling stations, refrigerating, stabilizing, ventilation and air-conditioning machinery, and similar spaces and the trunks to such spaces.
34. *MARVS* is the maximum allowable relief valve setting of a cargo tank (gauge pressure).
35. *Nominated surveyor* is a surveyor nominated/appointed by an Administration to enforce the provisions of the SOLAS Convention regulations with regard to inspections and surveys and the granting of exemptions therefrom.
36. *Oil fuel unit* is the equipment used for the preparation of oil fuel for delivery to an oil-fired boiler, or equipment used for the preparation for delivery of heated oil to an internal combustion engine, and includes any oil pressure pumps, filters and heaters dealing with oil at a pressure of more than 0.18 MPa gauge.
37. *Organization* is the International Maritime Organization (IMO).
38. *Permeability* of a space means the ratio of the volume within that space which is assumed to be occupied by water to the total volume of that space.
39. *Port Administration* means the appropriate authority of the country for the port where the ship is loading or unloading.

40. *Primary barrier* is the inner element designed to contain the cargo when the cargo containment system includes two boundaries.
41. *Products* is the collective term used to cover the list of gases indicated in Section 19 of this Code.
42. *Public spaces* are those portions of the accommodation that are used for halls, dining rooms, lounges and similar permanently enclosed spaces.
43. *Recognized organization* is an organization authorized by an Administration in accordance with SOLAS regulation XI-1/1.
44. *Recognized standards* are applicable international or national standards acceptable to the Administration, or standards laid down and maintained by the recognized organization.
45. *Relative density* is the ratio of the mass of a volume of a product to the mass of an equal volume of fresh water.
46. *Secondary barrier* is the liquid-resisting outer element of a cargo containment system, designed to afford temporary containment of any envisaged leakage of liquid cargo through the primary barrier and to prevent the lowering of the temperature of the ship's structure to an unsafe level. Types of secondary barrier are more fully defined in Section 4.
47. *Separate systems* are those cargo piping and vent systems that are not permanently connected to each other.
48. *Service spaces* are those used for galleys, pantries containing cooking appliances, lockers, mail and specie rooms, store-rooms, workshops other than those forming part of the machinery spaces, and similar spaces and trunks to such spaces.
49. *SOLAS Convention* means the International Convention for the Safety of Life at Sea, 1974, as amended.
50. *Tank cover* is the protective structure intended to either protect the cargo containment system against damage where it protrudes through the weather deck or to ensure the continuity and integrity of the deck structure.
51. *Tank dome* is the upward extension of a portion of a cargo tank. In the case of below-deck cargo containment systems, the tank dome protrudes through the weather deck or through a tank cover.
52. *Thermal oxidation method* means a system where the boil-off vapours are utilized as fuel for shipboard use or as a waste heat system subject to the provisions of Section 16 or a system not using the gas as fuel complying with this Code.
53. *Toxic products* are those defined by a "T" in column "f" in the table of Section 19.
54. *Turret compartments* are those spaces and trunks that contain equipment and machinery for retrieval and release of the disconnectable turret mooring system, high-pressure hydraulic operating systems, fire protection arrangements and cargo transfer valves.

55. *Vapour pressure* is the equilibrium pressure of the saturated vapour above the liquid, expressed in Pascals (Pa) absolute at a specified temperature.

56. *Void space* is an enclosed space in the cargo area external to a cargo containment system, other than a hold space, ballast space, oil fuel tank, cargo pumps or compressor room, or any space in normal use by personnel.

D. Surveys and certification

The relevant requirements are given in Classification and Surveys Rules, Section 3, and also refer to International Code for the Construction and Equipment of Ships Carrying Liquefied Gases in Bulk (IGC CODE), as amended by IMO Resolution MSC.370(93) Chapter 1.4

E. Additional Requirements

1. Emergency Towing Arrangement

Emergency towing arrangements are to be fitted on liquefied gas carrier of 20 000 dwt and above in accordance with Chapter 1 – Hull Structures, Section 28, E.2, see also SOLAS, Chapter II-1, Reg. 3-4.

2. Safe Access to Tanker Bows

Every liquefied gas carrier shall be equipped with means for safe access to the bow in accordance with Chapter 1 – Hull Structures, Section 28, E.1, see also SOLAS, Chapter II-1, Reg. 3-3, and ICLL, REG. 25 (4), 26 (2), 27(7) (see also IACS UI, LL50)

SECTION 2**SHIP SURVIVAL CAPABILITY AND LOCATION OF CARGO TANKS**

	Page
2.1 GENERAL	2- 2
2.2 FREEBOARD AND INTACT STABILITY	2- 3
2.3 DAMAGE ASSUMPTIONS	2- 4
2.4 LOCATION OF CARGO TANKS	2- 5
2.5 FLOOD ASSUMPTIONS	2- 13
2.6 STANDARD OF DAMAGE	2- 14
2.7 SURVIVAL REQUIREMENTS	2- 15

Goal

To ensure that the cargo tanks are in a protective location in the event of minor hull damage, and that the ship can survive the assumed flooding conditions.

2.1 General

2.1.1 Ships subject to the Code shall survive the hydrostatic effects of flooding following assumed hull damage caused by some external force. In addition, to safeguard the ship and the environment, the cargo tanks shall be protected from penetration in the case of minor damage to the ship resulting, for example, from contact with a jetty or tug, and also given a measure of protection from damage in the case of collision or grounding, by locating them at specified minimum distances inboard from the ship's shell plating. Both the damage to be assumed and the proximity of the tanks to the ship's shell shall be dependent upon the degree of hazard presented by the product to be carried. In addition, the proximity of the cargo tanks to the ship's shell shall be dependent upon the volume of the cargo tank.

Guidance

When applying the requirements of this Section attention should be given to IMO-document MSC/Circ 406 of 14.06.1985 "Guidelines for the Uniform Application of the Survival Requirements of the IBC/IGC Codes".

2.1.2 Ships subject to the Code should be designed to one of the following standards:

- .1 A type 1G ship** is a gas carrier intended to transport products indicated in Section 19 that require maximum preventive measures to preclude their escape.
- .2 A type 2G ship** is a gas carrier intended to transport products indicated in Section 19 that require significant preventive measures to preclude their escape.
- .3 A type 2PG ship** is a gas carrier of 150 m in length or less intended to transport the products indicated in Section 19 that require significant preventive measures to preclude their escape, and where the products are carried in type C independent tanks designed (see 4.23) for a MARVS of at least 0.7 MPa gauge and a cargo containment system design temperature of -55°C or above. A ship of this description that is over 150 m in length is to be considered a type 2G ship.
- .4 A type 3G ship** is a gas carrier intended to carry the products indicated in Section 19 that require moderate preventive measures to preclude their escape.

Therefore, a type 1G ship is a gas carrier intended for the transportation of products considered to present the greatest overall hazard and types 2G/2PG and type 3G for products of progressively lesser hazards. Accordingly, a type 1G ship shall survive the most severe standard of damage and its cargo tanks shall be located at the maximum prescribed distance inboard from the shell plating

2.1.3 The ship type required for individual products is indicated in column "c" in the table of Section 19.

2.1.4 If a ship is intended to carry more than one of the products listed in Section 19, the standard of damage shall correspond to the product having the most stringent ship type requirements. The requirements for the location of individual cargo tanks, however, are those for ship types related to the respective products intended to be carried.

2.1.5 For the purpose of this Code, the position of the moulded line for different containment systems is shown in figures 2.5 (a) to (e).

2.2 Freeboard and intact stability

2.2.1 Ships subject to the Code may be assigned the minimum freeboard permitted by the International Convention on Load Lines in force. However, the draught associated with the assignment shall not be greater than the maximum draught otherwise permitted by this Code.

2.2.2 The stability of the ship, in all seagoing conditions and during loading and unloading cargo, shall comply with the requirements of the International Code on Intact Stability **(1)**. This includes partial filling and loading and unloading at sea, when applicable. Stability during ballast water operations shall fulfil stability criteria.

2.2.3 When calculating the effect of free surfaces of consumable liquids for loading conditions, it shall be assumed that, for each type of liquid, at least one transverse pair or a single centre tank has a free surface. The tank or combination of tanks to be taken into account shall be those where the effect of free surfaces is the greatest. The free surface effect in undamaged compartments shall be calculated by a method according to the International Code on Intact Stability.

2.2.4 Solid ballast shall not normally be used in double bottom spaces in the cargo area. Where, however, because of stability considerations, the fitting of solid ballast in such spaces becomes unavoidable, its disposition shall be governed by the need to enable access for inspection and to ensure that the impact loads resulting from bottom damage are not directly transmitted to the cargo tank structure.

2.2.5 The master of the ship shall be supplied with a loading and stability information booklet. This booklet shall contain details of typical service conditions, loading, unloading and ballasting operations, provisions for evaluating other conditions of loading and a summary of the ship's survival capabilities. The booklet shall also contain sufficient information to enable the master to load and operate the ship in a safe and seaworthy manner.

2.2.6 All ships, subject to the Code shall be fitted with a stability instrument, capable of verifying compliance with intact and damage stability requirements, approved by the Administration having regard to the performance standards recommended by the Organization **(2)**.

- .1** ships constructed before 1 July 2016 shall comply with this paragraph at the first scheduled renewal survey of the ship after 1 July 2016 but not later than 1 July 2021;
- .2** notwithstanding the requirements of paragraph 2.2.6.1 a stability instrument installed on a ship constructed before 1 July 2016 need not be replaced provided it is capable of verifying compliance with intact and damage stability, to the satisfaction of the Administration; and
- .3** for the purposes of control under SOLAS regulation XI-1/4, the Administration shall issue a document of approval for the stability instrument.

(1) Refer to the International Code on Intact Stability, 2008 (2008 IS Code), adopted by the Maritime Safety Committee of the Organization by resolution MSC.267(85).

(2) Refer to part B, Section 4, of the International Code on Intact Stability, 2008 (2008 IS Code), as amended; the Guidelines for the Approval of Stability Instruments (MSC.1/Circ.1229), annex, section 4, as amended; and the technical standards defined in part 1 of the Guidelines for verification of damage stability requirements for tankers (MSC.1/Circ.1461).

2.2.7 The Administration may waive the requirements of paragraph 2.2.6 for the following ships, provided the procedures employed for intact and damage stability verification maintain the same degree of safety, as being loaded in accordance with the approved conditions (1). Any such waiver shall be duly noted on the International Certificate of Fitness referred to in paragraph 1.4.4:

- .1 ships which are on a dedicated service, with a limited number of permutations of loading such that all anticipated conditions have been approved in the stability information provided to the master in accordance with the requirements of paragraph 2.2.5;
- .2 ships where stability verification is made remotely by a means approved by the Administration;
- .3 ships which are loaded within an approved range of loading conditions; or
- .4 ships constructed before 1 July 2016 provided with approved limiting KG/GM curves covering all applicable intact and damage stability requirements.

2.2.8 Conditions of loading

Damage survival capability shall be investigated on the basis of loading information submitted to the Administration for all anticipated conditions of loading and variations in draught and trim. This shall include ballast and, where applicable, cargo heel.

2.3 Damage assumptions

2.3.1 The assumed maximum extent of damage shall be :

.1 Side damage:			
.1.1	Longitudinal extent:		$1/3L^{2/3}$ or 14.5 m, whichever is less
.1.2	Transverse extent: measured inboard from the moulded line of the outer shell at right angles to the centreline at the level of the summer waterline		B/5 or 11.5 m, whichever is less
.1.3	Vertical extent: from the moulded line of the outer shell		Upwards, without limit
2 Bottom damage:		For 0.3L from the forward perpendicular of the ship	Any other part of the ship
.2.1	Longitudinal extent:	$1/3L^{2/3}$ or 14.5 m, whichever is less	$1/3L^{2/3}$ or 5 m, whichever is less
.2.2	Transverse extent:	B/6 or 10 m, whichever is less	B/6 or 5 m, whichever is less
.2.3	Vertical extent:	B/15 or 2 m, whichever is less measured from the moulded line of the bottom shell plating at centreline (see 2.4.3).	B/15 or 2 m, whichever is less measured from the moulded line of the bottom shell plating at centreline (see 2.4.3).

(1) Refer to operational guidance provided in part 2 of the Guidelines for verification of damage stability requirements for tankers (MSC.1/Circ.1461).

2.3.2 Other damage:

2.3.2.1 If any damage of a lesser extent than the maximum damage specified in 2.3.1 would result in a more severe condition, such damage should be assumed.

2.3.2.2 Local damage anywhere in the cargo area extending inboard distance " d " as defined in 2.4.1, measured normal to the moulded line of the outer shell shall be considered. Bulkheads shall be assumed damaged when the relevant subparagraphs of 2.6.1 apply. If a damage of a lesser extent than " d " would result in a more severe condition, such damage shall be assumed.

2.4 Location of cargo tanks

2.4.1 Cargo tanks should be located at the following distances inboard:

.1 Type 1G ships: from the moulded line of the outer shell, not less than the transverse extent of damage specified in 2.3.1.1.2 and, from the moulded line of the bottom shell at centreline, not less than the vertical extent of damage specified in 2.3.1.2.3, and nowhere less than " d " where " d " is as follows:

- .1 for V_c below or equal $1,000 \text{ m}^3$, $d = 0.8 \text{ m}$;
- .2 for $1,000 \text{ m}^3 < V_c < 5,000 \text{ m}^3$, $d = 0.75 + V_c \times 0.2/4,000 \text{ m}$;
- .3 for $5,000 \text{ m}^3 \leq V_c < 30,000 \text{ m}^3$, $d = 0.8 + V_c/25,000 \text{ m}$; and
- .4 for $V_c \geq 30,000 \text{ m}^3$, $d = 2 \text{ m}$,

where:

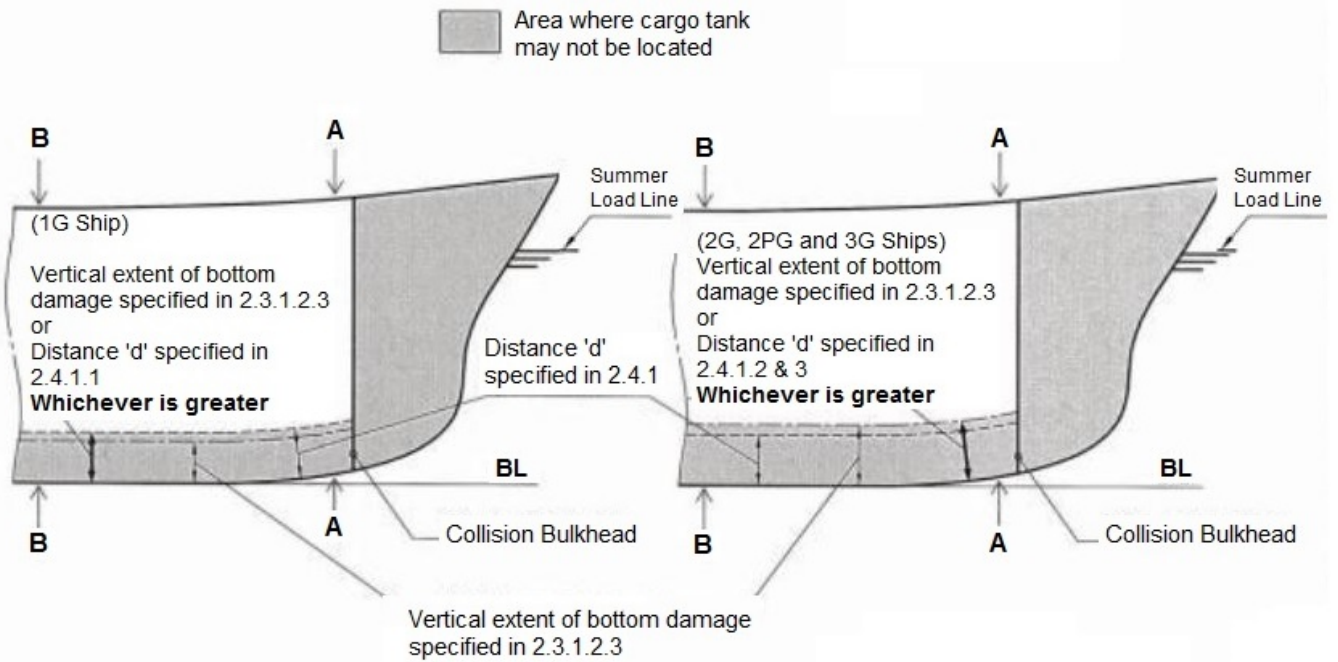
- V_c corresponds to 100% of the gross design volume of the individual cargo tank at 20°C, including domes and appendages (see figures 2.1 and 2.2). For the purpose of cargo tank protective distances, the cargo tank volume is the aggregate volume of all the parts of tank that have a common bulkhead(s); and
- " d " is measured at any cross section at a right angle from the moulded line of outer shell.

Tank size limitations may apply to type 1G ship cargoes in accordance with Section 17.

.2 Types 2G/2PG: from the moulded line of the bottom shell at centreline not less than the vertical extent of damage specified in 2.3.1.2.3 and nowhere less than " d " as indicated in 2.4.1.1 (see figures 2.1 and 2.3).

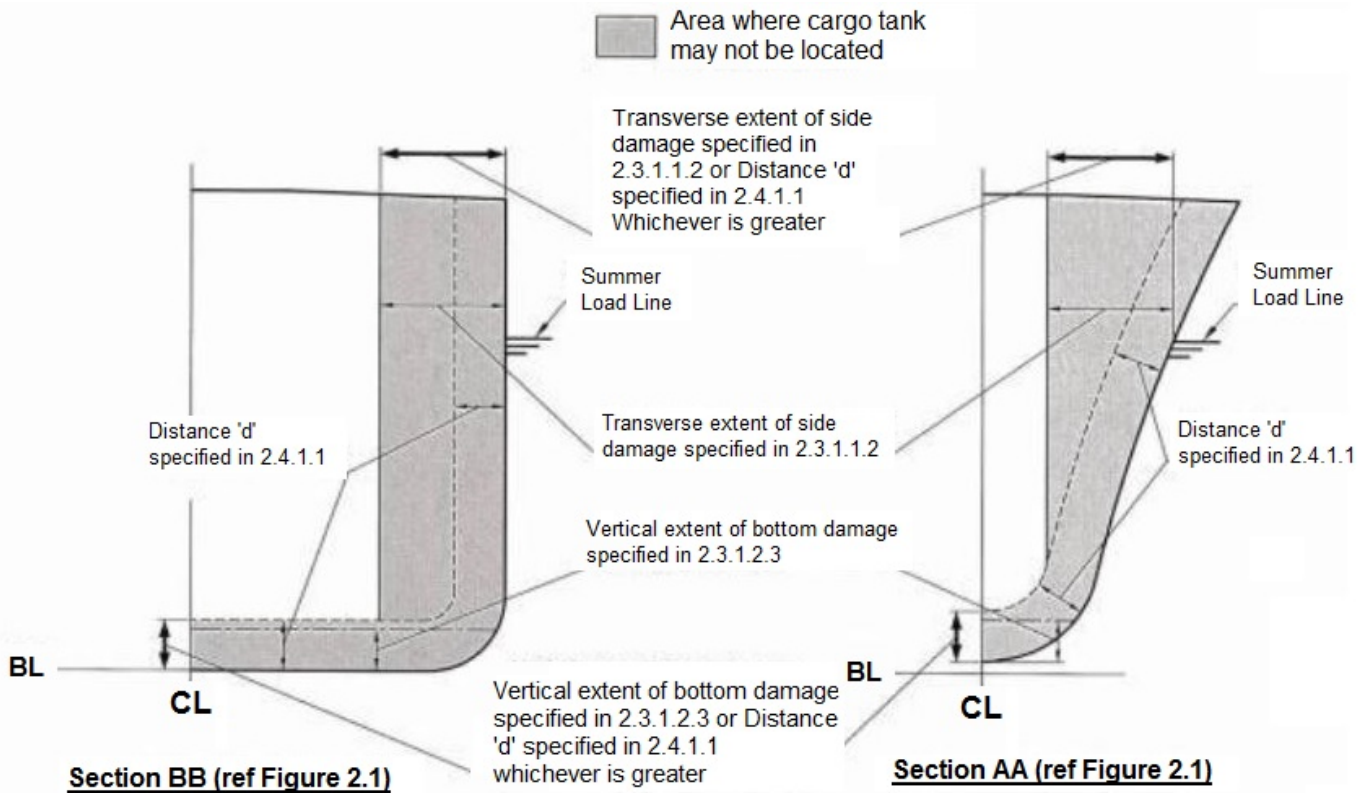
.3 Type 3G ships: from the moulded line of the bottom shell at centreline not less than the vertical extent of damage specified in 2.3.1.2.3 and nowhere less than " d ", where " d " = 0.8 m from the moulded line of outer shell (see figures 2.1 and 2.4).

2.4.2 For the purpose of tank location, the vertical extent of bottom damage shall be measured to the inner bottom when membrane or semi-membrane tanks are used, otherwise to the bottom of the cargo tanks. The transverse extent of side damage shall be measured to the longitudinal bulkhead when membrane or semi-membrane tanks are used, otherwise to the side of the cargo tanks. The distances indicated in 2.3 and 2.4 shall be applied as in figures 2.5(a) to (e). These distances shall be measured plate to plate, from the moulded line to the moulded line, excluding insulation.



Centreline Profile - Type 1G, 2G, 2PG and 3G Ships

Figure 2.1 Cargo tank location requirements



Transverse Sections - Type 1G Ship

Figure 2.2 Cargo tank location requirements

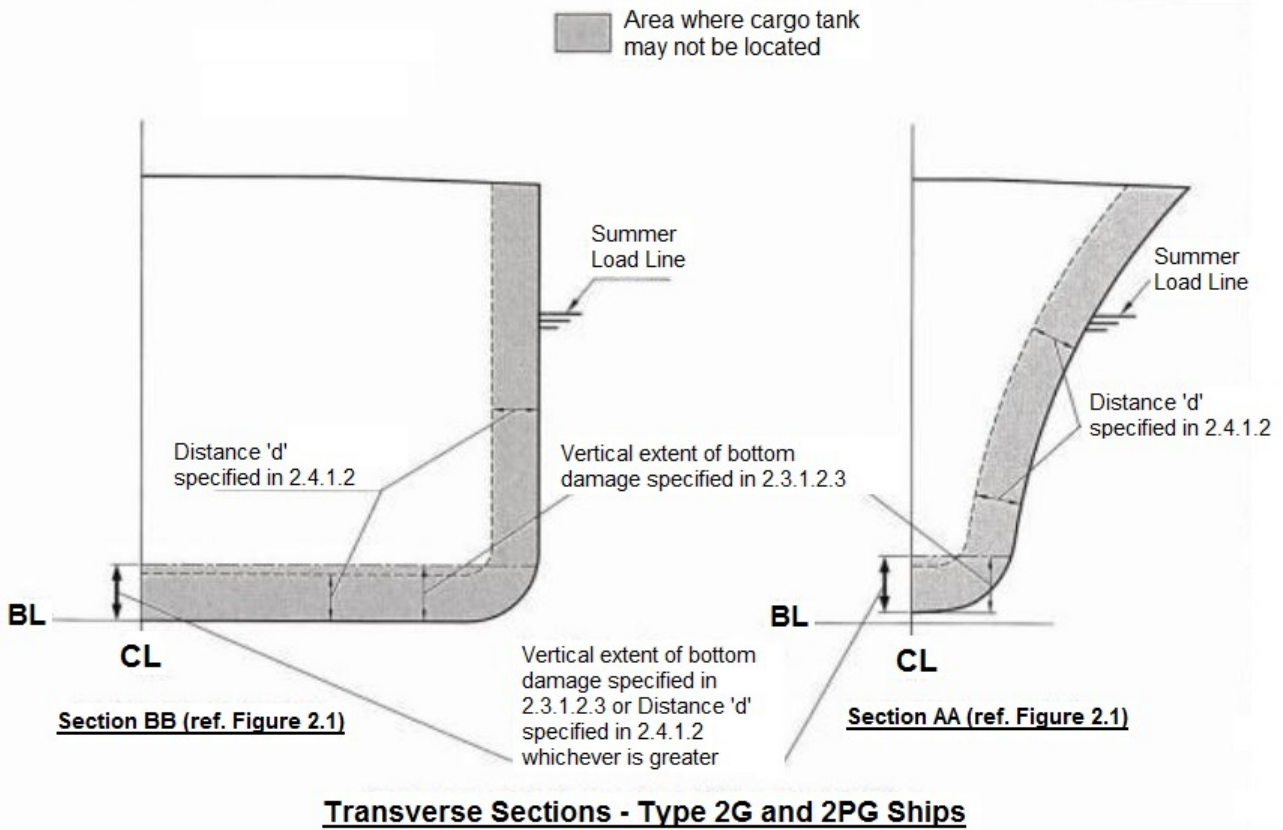


Figure 2.3 Cargo tank location requirements

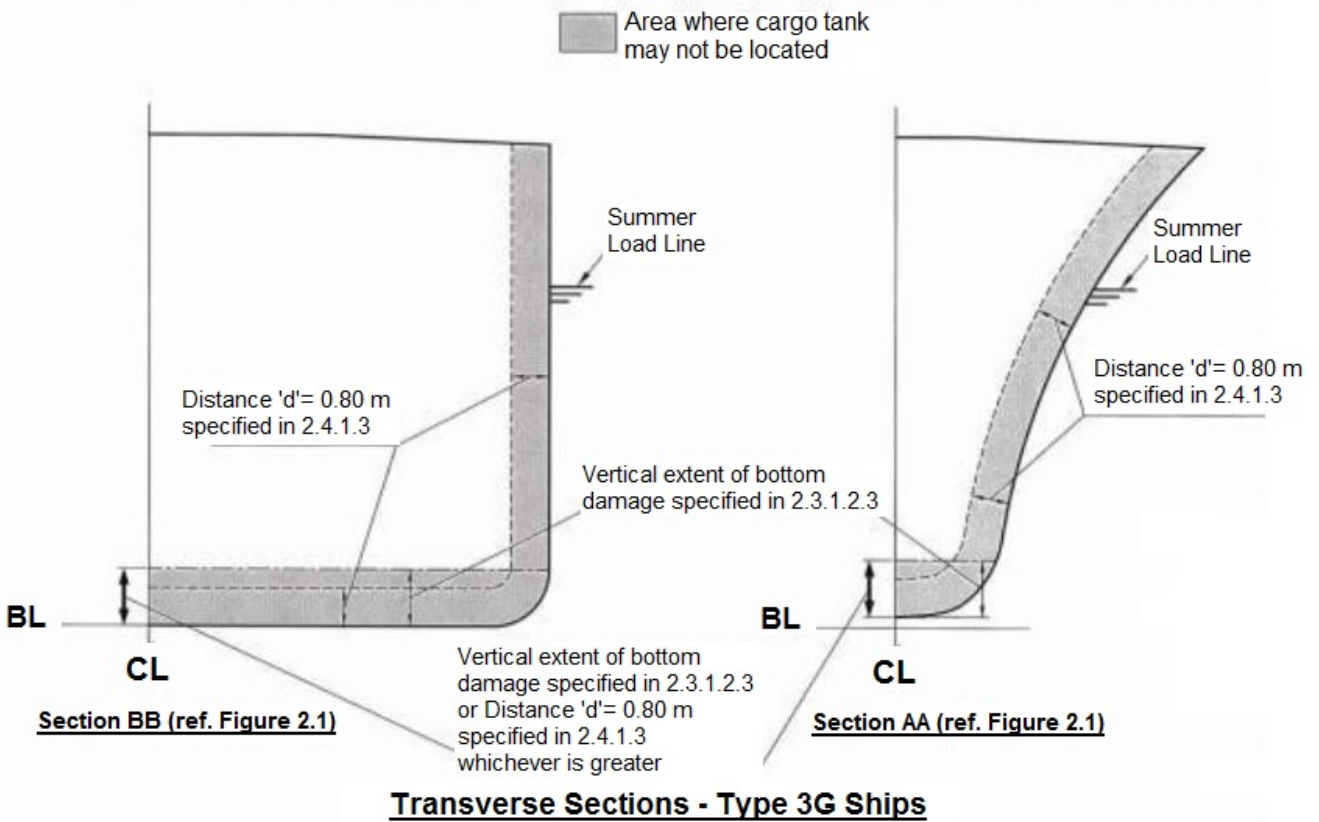
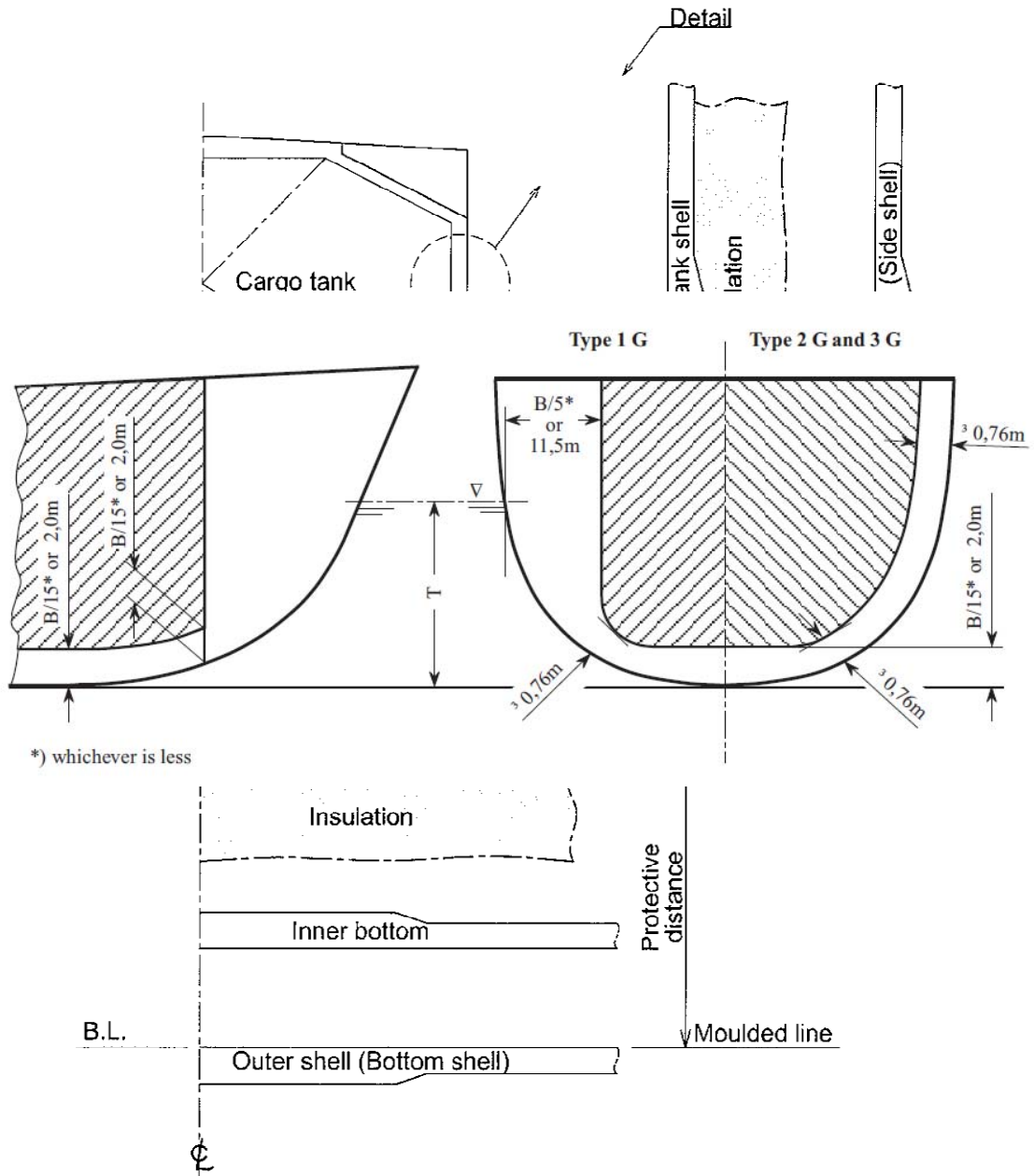
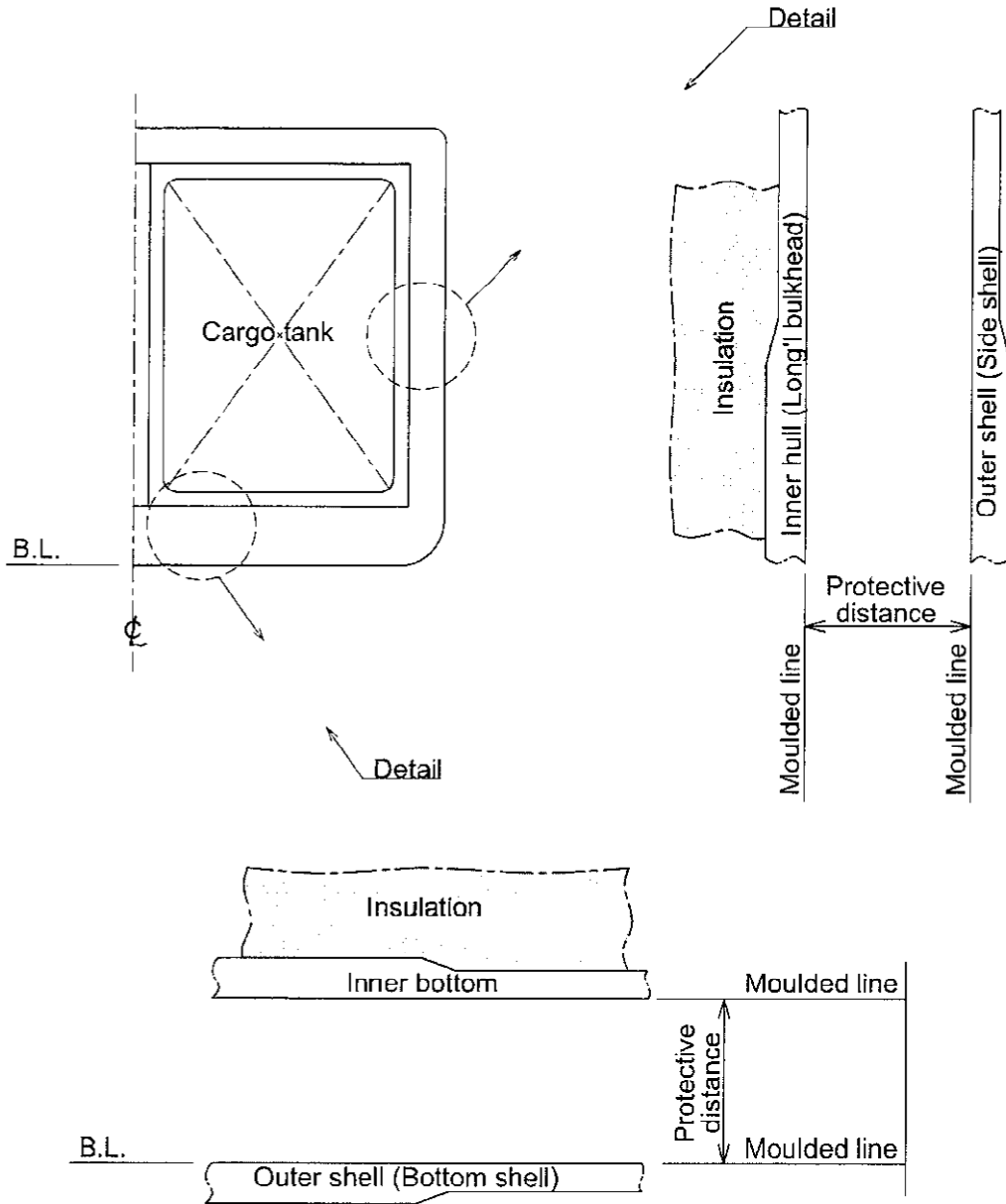


Figure 2.4 Cargo tank location requirements



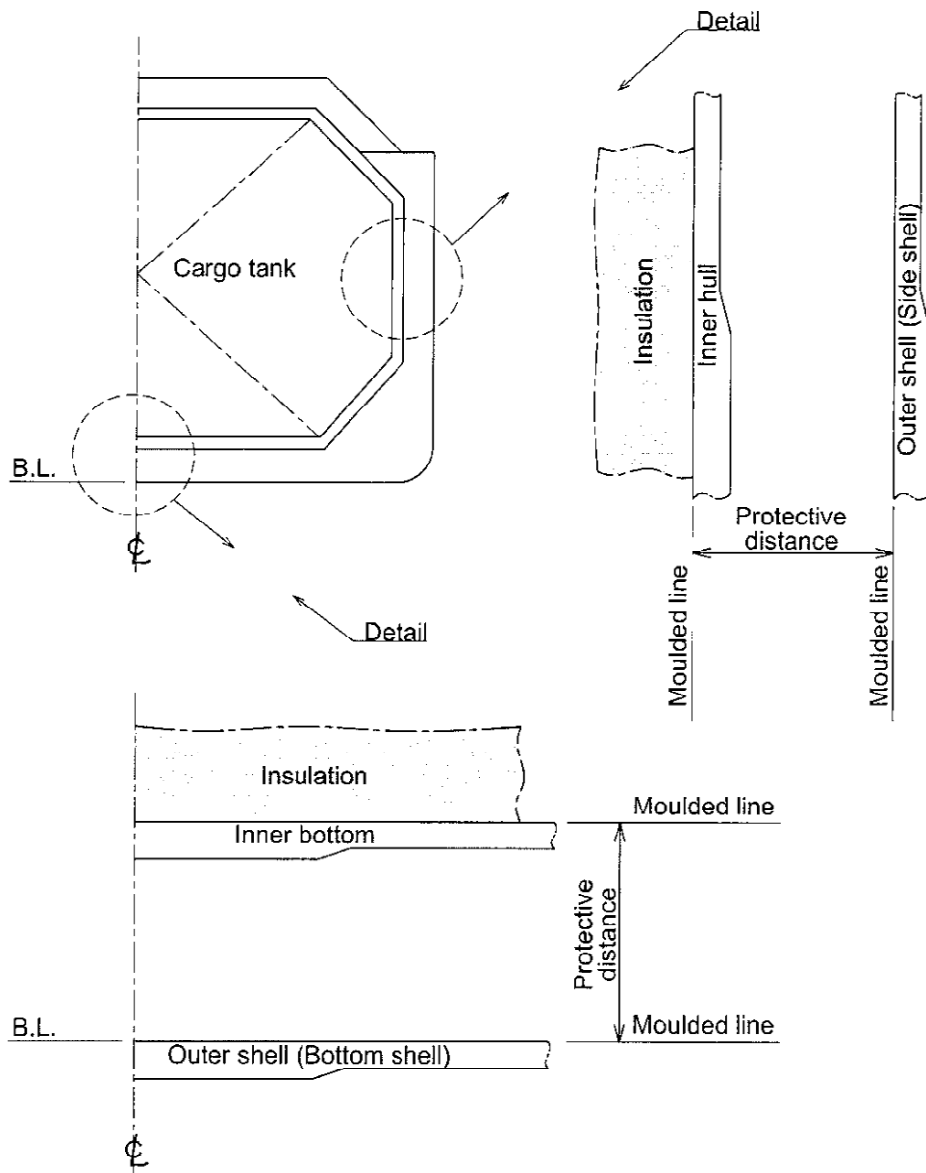
Independent prismatic tank

Figure 2.5 (a) 1 Protective distance



Semi-membrane tank

Figure 2.5 (b) 1 Protective distance



Membrane tank

Figure 2.5 (c) 1 Protective distance

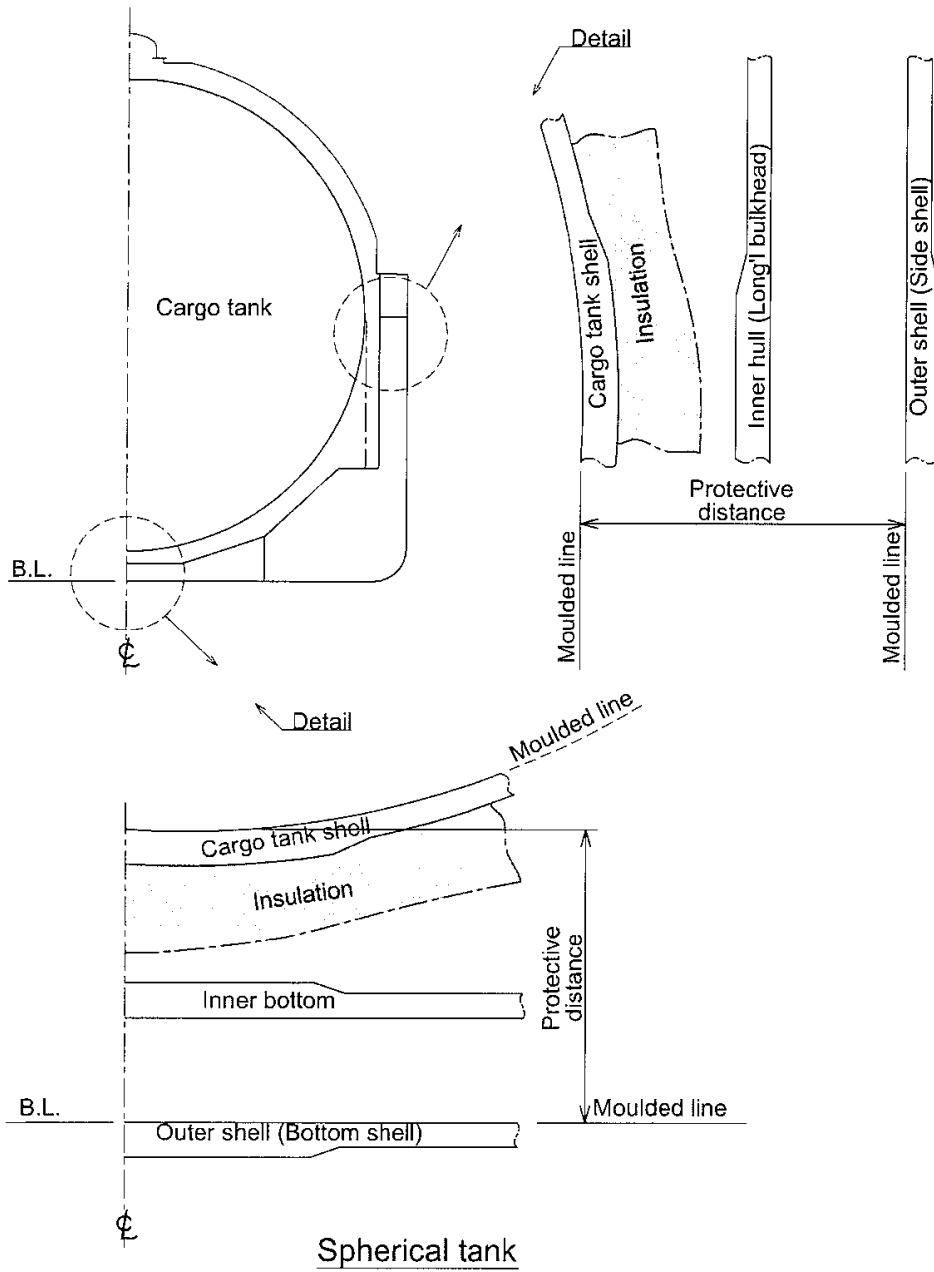
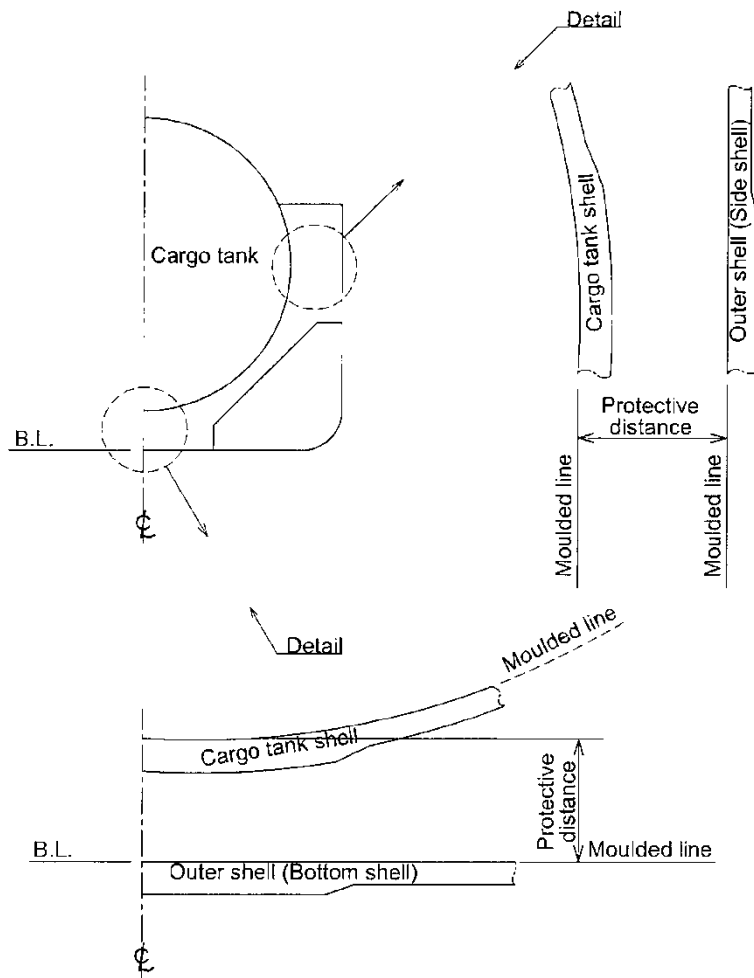


Figure 2.5 (d) Protective distance



Pressure type tank

Figure 2.5 (e) 1 Protective distance

2.4.3 Except for type 1G ships, suction wells installed in cargo tanks may protrude into the vertical extent of bottom damage specified in 2.3.1.2.3 provided that such wells are as small as practicable and the protrusion below the inner bottom plating does not exceed 25% of the depth of the double bottom or 350 mm, whichever is less. Where there is no double bottom, the protrusion below the upper limit of bottom damage shall not exceed 350 mm. Suction wells installed in accordance with this paragraph may be ignored when determining the compartments affected by damage.

2.4.4 Cargo tanks shall not be located forward of the collision bulkhead.

2.5 Flood assumptions

2.5.1 The requirements of 2.7 shall be confirmed by calculations that take into consideration the design characteristics of the ship, the arrangements, configuration and contents of the damaged compartments, the distribution, relative densities and the free surface effects of liquids and the draught and trim for all conditions of loading.

2.5.2 The permeabilities of spaces assumed to be damaged shall be as follows:

Spaces	Permeabilities
Stores	0.60
Accommodation	0.95
Machinery	0.85
Voids	0.95
Hold spaces	0.95 (1)
Consumable liquids	0 to 0.95 (2)
Other liquids	0 to 0.95 (2)
(1) <i>Note 1 Other values of permeability can be considered based on the detailed calculations. Interpretations of regulation of part B-1 of SOLAS chapter II-1 (MSC/Circ.651) are referred.</i>	
(2) <i>The permeability of partially filled compartments shall be consistent with the amount of liquid carried in the compartment.</i>	

2.5.3 Wherever damage penetrates a tank containing liquids, it shall be assumed that the contents are completely lost from that compartment and replaced by salt water up to the level of the final plane of equilibrium.

2.5.4 Where the damage between transverse watertight bulkheads is envisaged, as specified in 2.6.1.4, 2.6.1.5, and 2.6.1.6, transverse bulkheads shall be spaced at least at a distance equal to the longitudinal extent of damage specified in 2.3.1.1.1 in order to be considered effective. Where transverse bulkheads are spaced at a lesser distance, one or more of these bulkheads within such extent of damage shall be assumed as non-existent for the purpose of determining flooded compartments. Further, any portion of a transverse bulkhead bounding side compartments or double bottom compartments shall be assumed damaged if the watertight bulkhead boundaries are within the extent of vertical or horizontal penetration required by 2.3. Also, any transverse bulkhead shall be assumed damaged if it contains a step or recess of more than 3 m in length located within the extent of penetration of assumed damage. The step formed by the after peak bulkhead and the after peak tank top shall not be regarded as a step for the purpose of this paragraph.

2.5.5 The ship shall be designed to keep unsymmetrical flooding to the minimum consistent with efficient arrangements.

2.5.6 Equalization arrangements requiring mechanical aids such as valves or cross-levelling pipes, if fitted, shall not be considered for the purpose of reducing an angle of heel or attaining the minimum range of residual stability to meet the requirements of 2.7.1, and sufficient residual stability shall be maintained during all stages where equalization is used. Spaces linked by ducts of large cross-sectional area may be considered to be common.

2.5.7 If pipes, ducts, trunks or tunnels are situated within the assumed extent of damage penetration, as defined in 2.3, arrangements shall be such that progressive flooding cannot thereby extend to compartments other than those assumed to be flooded for each case of damage.

2.5.8 The buoyancy of any superstructure directly above the side damage shall be disregarded. However, the unflooded parts of superstructures beyond the extent of damage may be taken into consideration, provided that:

- .1 they are separated from the damaged space by watertight divisions and the requirements of 2.7.1.1 in respect of these intact spaces are complied with; and
- .2 openings in such divisions are capable of being closed by remotely operated sliding watertight doors and unprotected openings are not immersed within the minimum range of residual stability required in 2.7.2.1. However, the immersion of any other openings capable of being closed weathertight may be permitted.

2.6 Standard of damage

2.6.1 Ships shall be capable of surviving the damage indicated in 2.3 with the flood assumptions in 2.5, to the extent determined by the ship's type, according to the following standards:

- .1 a type 1G ship shall be assumed to sustain damage anywhere in its length;
- .2 a type 2G ship of more than 150 m in length shall be assumed to sustain damage anywhere in its length;
- .3 a type 2G ship of 150 m in length or less shall be assumed to sustain damage anywhere in its length, except involving either of the bulkheads bounding a machinery space located aft;
- .4 a type 2PG ship shall be assumed to sustain damage anywhere in its length except involving transverse bulkheads spaced further apart than the longitudinal extent of damage as specified in 2.3.1.1.1;
- .5 a type 3G ship of 80 m in length or more shall be assumed to sustain damage anywhere in its length, except involving transverse bulkheads spaced further apart than the longitudinal extent of damage specified in 2.3.1.1.1; and
- .6 a type 3G ship less than 80 m in length shall be assumed to sustain damage anywhere in its length, except involving transverse bulkheads spaced further apart than the longitudinal extent of damage specified in 2.3.1.1.1 and except damage involving the machinery space when located after.

2.6.2 In the case of small type 2G/2PG and 3G ships that do not comply in all respects with the appropriate requirements of 2.6.1.3, 2.6.1.4 and 2.6.1.6, special dispensations may only be considered by the Administration provided that alternative measures can be taken which maintain the same degree of safety. The nature of the alternative measures shall be approved and clearly stated and be available to the port Administration. Any such dispensation shall be duly noted on the International Certificate of Fitness for the Carriage of Liquefied Gases in Bulk referred to in 1.4.4.

The longitudinal extent of damage to superstructure (see also 2.5.8) in the instance of side damage to a machinery space aft under 2.6.1 shall be the same as the longitudinal extent of the side damage to the machinery space (see Figure 2.6).

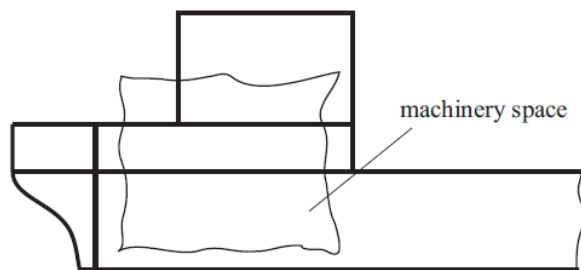


Figure 2.6 Longitudinal extent of damage to superstructure

2.7 Survival requirements

Ships subject to the Code shall be capable of surviving the assumed damage specified in 2.3, to the standard provided in 2.6, in a condition of stable equilibrium and shall satisfy the following criteria.

2.7.1 In any stage of flooding:

.1 the waterline, taking into account sinkage, heel and trim, shall be below the lower edge of any opening through which progressive flooding or downflooding may take place. Such openings shall include air pipes and openings that are closed by means of weathertight doors or hatch covers and may exclude those openings closed by means of watertight manhole covers and watertight flush scuttles, small watertight cargo tank hatch covers that maintain the high integrity of the deck, remotely operated watertight sliding doors and sidescuttles of the non-opening type;

.2 the maximum angle of heel due to unsymmetrical flooding shall not exceed 30°; and

.3 the residual stability during intermediate stages of flooding shall not be less than that required by 2.7.2.1.

2.7.2 At final equilibrium after flooding:

.1 the righting lever curve shall have a minimum range of 20° beyond the position of equilibrium in association with a maximum residual righting lever of at least 0.1 m within the 20° range; the area under the curve within this range shall not be less than 0.0175 m-radians. The 20° range may be measured from any angle commencing between the position of equilibrium and the angle of 25° (or 30° if no deck immersion occurs). Unprotected openings shall not be immersed within this range unless the space concerned is assumed to be flooded. Within this range, the immersion of any of the openings listed in 2.7.1.1 and other openings capable of being closed weathertight may be permitted; and

.2 the emergency source of power shall be capable of operating.

SECTION 3**SHIP ARRANGEMENTS**

	Page
3.1 SEGREGATION OF THE CARGO AREA	3- 2
3.2 ACCOMMODATION, SERVICE AND MACHINERY SPACES AND CONTROL STATIONS	3- 2
3.3 CARGO MACHINERY SPACES AND TURRET COMPARTMENTS	3- 4
3.4 CARGO CONTROL ROOMS	3- 5
3.5 ACCESS TO SPACES IN THE CARGO AREA	3- 5
3.6 AIRLOCKS	3- 9
3.7 BILGE, BALLAST AND OIL FUEL ARRANGEMENTS	3- 10
3.8 BOW AND STERN LOADING AND UNLOADING ARRANGEMENTS	3- 11

Goal

To ensure that the cargo containment and handling system are located such that the consequences of any release of cargo will be minimized, and to provide safe access for operation and inspection.

3.1 Segregation of the cargo area

3.1.1 Hold spaces shall be segregated from machinery and boiler spaces, accommodation spaces, service spaces, control stations, chain lockers, domestic water tanks and from stores. Hold spaces shall be located forward of machinery spaces of category A. Alternative arrangements, including locating machinery spaces of category A forward, may be accepted, based on SOLAS regulation II-2/17, after further consideration of involved risks, including that of cargo release and the means of mitigation.

3.1.2 Where cargo is carried in a cargo containment system not requiring a complete or partial secondary barrier, segregation of hold spaces from spaces referred to in 3.1.1 or spaces either below or outboard of the hold spaces may be effected by cofferdams, oil fuel tanks or a single gastight bulkhead of all-welded construction forming an "A-60" class division. A gastight "A-0" class division is acceptable if there is no source of ignition or fire hazard in the adjoining spaces.

3.1.3 Where cargo is carried in a cargo containment system requiring a complete or partial secondary barrier, segregation of hold spaces from spaces referred to in 3.1.1, or spaces either below or outboard of the hold spaces that contain a source of ignition or fire hazard, shall be effected by cofferdams or oil fuel tanks. A gastight "A-0" class division is acceptable if there is no source of ignition or fire hazard in the adjoining spaces.

3.1.4 Turret compartments segregation from spaces referred to in 3.1.1, or spaces either below or outboard of the turret compartment that contain a source of ignition or fire hazard, shall be effected by cofferdams or an A-60 class division. A gastight "A-0" class division is acceptable if there is no source of ignition or fire hazard in the adjoining spaces.

3.1.5 In addition, the risk of fire propagation from turret compartments to adjacent spaces shall be evaluated by a risk analysis (see 1.1.11) and further preventive measures, such as the arrangement of a cofferdam around the turret compartment, shall be provided if needed.

3.1.6 When cargo is carried in a cargo containment system requiring a complete or partial secondary barrier:

.1 at temperatures below -10°C, hold spaces shall be segregated from the sea by a double bottom; and

.2 at temperatures below -55°C, the ship shall also have a longitudinal bulkhead forming side tanks.

3.1.7 Arrangements shall be made for sealing the weather decks in way of openings for cargo containment systems.

Hold spaces are to be separated from each other by single bulkheads. Due consideration is to be given to the steel selection of the bulkheads considering the lowest temperature they may be exposed to during service. Where cofferdams are used instead of single bulkheads, they may be used as ballast tanks subject to special approval by the Society.

3.2 Accommodation, service and machinery spaces and control stations

3.2.1 No accommodation space, service space or control station shall be located within the cargo area. The bulkhead of accommodation spaces, service spaces or control stations that face the cargo area shall be so located as to avoid the entry of gas from the hold space to such spaces through a single failure of a deck or bulkhead on a ship having a containment system requiring a secondary barrier.

3.2.2 To guard against the danger of hazardous vapours, due consideration shall be given to the location of air intakes/outlets and openings into accommodation, service and machinery spaces and control stations in relation to cargo piping, cargo vent systems and machinery space exhausts from gas burning arrangements.

3.2.3 Access through doors, gastight or otherwise, shall not be permitted from a non-hazardous area to a hazardous area except for access to service spaces forward of the cargo area through airlocks, as permitted by 3.6.1, when accommodation spaces are aft.

3.2.4 Entrances, air inlets and openings to accommodation spaces, service spaces, machinery spaces and control stations shall not face the cargo area. They shall be located on the end bulkhead not facing the cargo area or on the outboard side of the superstructure or deckhouse or on both at a distance of at least 4% of the length (L) of the ship but not less than 3 m from the end of the superstructure or deckhouse facing the cargo area. This distance, however, need not exceed 5 m.

Windows and sidescuttles facing the cargo area and on the sides of the superstructures or deckhouses within the distance mentioned above shall be of the fixed (non-opening) type. Wheelhouse windows may be non-fixed and wheelhouse doors may be located within the above limits so long as they are designed in a manner that a rapid and efficient gas and vapour tightening of the wheelhouse can be ensured.

For ships dedicated to the carriage of cargoes that have neither flammable nor toxic hazards, the Administration may approve relaxations from the above requirements.

Accesses to forecastle spaces containing sources of ignition may be permitted through a single door facing the cargo area, provided the doors are located outside hazardous areas as defined in Section 10.

3.2.5 Windows and sidescuttles facing the cargo area and on the sides of the superstructures and deckhouses within the limits specified in 3.2.4, except wheelhouse windows, shall be constructed to "A-60" class. Wheelhouse windows shall be constructed to not less than "A-0" class (for external fire load). Sidescuttles in the shell below the uppermost continuous deck and in the first tier of the superstructure or deckhouse shall be of fixed (non-opening) type.

3.2.6 All air intakes, outlets and other openings into the accommodation spaces, service spaces and control stations shall be fitted with closing devices. When carrying toxic products, they shall be capable of being operated from inside the space. The requirement for fitting air intakes and openings with closing devices operated from inside the space for toxic products need not apply to spaces not normally manned, such as deck stores, forecastle stores, workshops. In addition, the requirement does not apply to cargo control rooms located within the cargo area.

Note: Compliance with other relevant paragraphs of the Code and in particular with paragraphs 3.2.4, 3.8, 8.2.10 and 12.1.6 where applicable would also ensure compliance with this paragraph.

Air outlets are subject to the same requirements as air inlets and air intakes. This interpretation also applies to paragraphs 3.2.2, 3.8.4 and 8.2.10.

Doors facing the cargo area or located in prohibited zones in the sides are to be restricted to stores for cargo-related and safety equipment, cargo control stations as well as decontamination showers and eye wash.

The item 3.2.6 above is to be interpreted as follows:

1. The closing devices need not be operable from within the single spaces and may be located in centralized positions. Engine room casings, cargo machinery spaces, electric motor rooms and steering gear compartments are generally considered as spaces not covered by paragraph 3.2.6 and therefore the requirement for closing devices need not be applied to these spaces.

2. The closing devices are to give a reasonable degree of gas tightness. Ordinary steel fire-flaps without gaskets/seals are not to be considered satisfactory.

3.2.7 Control rooms and machinery spaces of turret systems may be located in the cargo area forward or aft of cargo tanks in ships with such installations. Access to such spaces containing sources of ignition may be permitted through doors facing the cargo area, provided the doors are located outside hazardous areas or access is through airlocks

3.3 Cargo machinery spaces and turret compartments

3.3.1 Cargo machinery spaces shall be situated above the weather deck and located within the cargo area. Cargo machinery spaces and turret compartments shall be treated as cargo pump-rooms for the purpose of fire protection according to SOLAS regulation II-2/9.2.4, and for the purpose of prevention of potential explosion according to SOLAS regulation II-2/4.5.10.

3.3.2 When cargo machinery spaces are located at the after end of the aftermost hold space or at the forward end of the foremost hold space, the limits of the cargo area, as defined in 1.2.7, shall be extended to include the cargo machinery spaces for the full breadth and depth of the ship and the deck areas above those spaces.

3.3.3 Where the limits of the cargo area are extended by 3.3.2, the bulkhead that separates the cargo machinery spaces from accommodation and service spaces, control stations and machinery spaces of category A shall be located so as to avoid the entry of gas to these spaces through a single failure of a deck or bulkhead.

When cargo pump rooms or compressor rooms are permitted to be fitted at the after end of the aftermost hold space the bulkhead which separates the cargo pump rooms or compressor rooms from accommodation and service spaces (see 3.3.2 and 3.3.3), control stations and machinery spaces of category A are to be so located as to avoid the entry of gas to these spaces through a single failure of a deck or bulkhead. The same condition is also to be satisfied when cargo pump rooms and compressor rooms, fitted within the cargo area, have a bulkhead in common with accommodation and service spaces, control stations and machinery spaces of category A.

3.3.4 Cargo compressors and cargo pumps may be driven by electric motors in an adjacent non-hazardous space separated by a bulkhead or deck, if the seal around the bulkhead penetration ensures effective gastight segregation of the two spaces. Alternatively, such equipment may be driven by certified safe electric motors adjacent to them if the electrical installation complies with the requirements of Section 10.

3.3.5 Arrangements of cargo machinery spaces and turret compartments shall ensure safe unrestricted access for personnel wearing protective clothing and breathing apparatus, and in the event of injury to allow unconscious personnel to be removed. At least two widely separated escape routes and doors shall be provided in cargo machinery spaces, except that a single escape route may be accepted where the maximum travel distance to the door is 5 m or less.

3.3.6 All valves necessary for cargo handling shall be readily accessible to personnel wearing protective clothing. Suitable arrangements shall be made to deal with drainage of pump and compressor rooms.

3.3.7 Turret compartments shall be designed to retain their structural integrity in case of explosion or uncontrolled high-pressure gas release (overpressure and/or brittle fracture), the characteristics of which shall be substantiated on the basis of a risk analysis with due consideration of the capabilities of the pressure relieving devices.

3.4 Cargo control rooms

3.4.1 Any cargo control room shall be above the weather deck and may be located in the cargo area. The cargo control room may be located within the accommodation spaces, service spaces or control stations, provided the following conditions are complied with:

- .1 the cargo control room is a non-hazardous area;
- .2 if the entrance complies with 3.2.4.1, the control room may have access to the spaces described above; and
- .3 if the entrance does not comply with 3.2.4.1, the cargo control room shall have no access to the spaces described above and the boundaries for such spaces shall be insulated to "A-60" class.

3.4.2 If the cargo control room is designed to be a non-hazardous area, instrumentation shall, as far as possible, be by indirect reading systems and shall, in any case, be designed to prevent any escape of gas into the atmosphere of that space. Location of the gas detection system within the cargo control room will not cause the room to be classified as a hazardous area, if installed in accordance with 13.6.11.

3.4.3 If the cargo control room for ships carrying flammable cargoes is classified as a hazardous area, sources of ignition shall be excluded and any electrical equipment shall be installed in accordance with Section 10.

3.5 Access to spaces in the cargo area

3.5.1 Visual inspection of at least one side of the inner hull structure shall be possible without the removal of any fixed structure or fitting. If such a visual inspection, whether combined with those inspections required in 3.5.2, 4.6.2.4 or 4.20.3.7 or not, is only possible at the outer face of the inner hull, the inner hull shall not be a fuel-oil tank boundary wall.

3.5.2 Inspection of one side of any insulation in hold spaces shall be possible. If the integrity of the insulation system can be verified by inspection of the outside of the hold space boundary when tanks are at service temperature, inspection of one side of the insulation in the hold space need not be required.

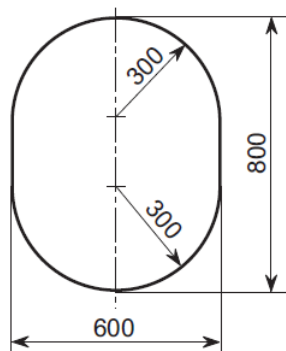
3.5.3 Arrangements for hold spaces, void spaces, cargo tanks and other spaces classified as hazardous areas, shall be such as to allow entry and inspection of any such space by personnel wearing protective clothing and breathing apparatus and shall also allow for the evacuation of injured and/or unconscious personnel. Such arrangements shall comply with the following:

- .1 Access shall be provided as follows:
 - .1 access to all cargo tanks. Access shall be direct from the weather deck;
 - .2 access through horizontal openings, hatches or manholes. The dimensions shall be sufficient to allow a person wearing a breathing apparatus to ascend or descend any ladder without obstruction, and also to provide a clear opening to facilitate the hoisting of an injured person from the bottom of the space. The minimum clear opening shall be not less than 600 mm x 600 mm;
 - .3 access through vertical openings or manholes providing passage through the length and breadth of the space. The minimum clear opening shall be not less than 600 mm x 800 mm at a height of not more than 600 mm from the bottom plating unless gratings or other footholds are provided; and

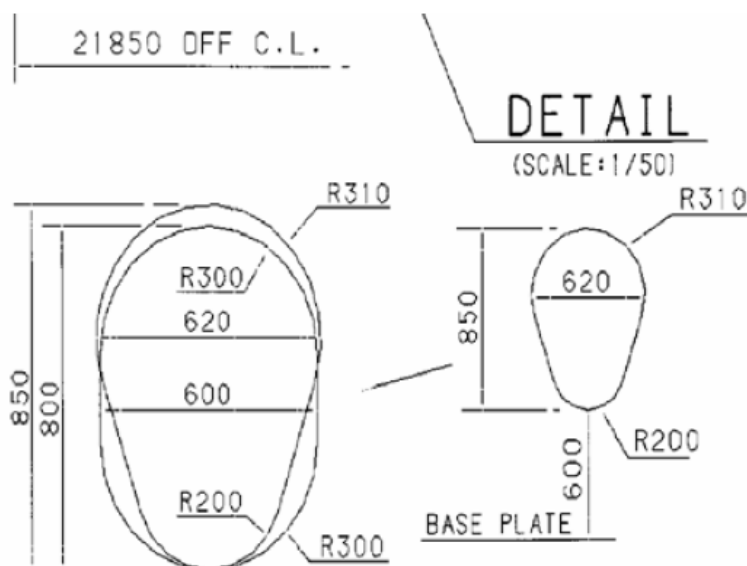
Note: For the purpose of subparagraph 3.5.3.1.2 and 3.5.3.1.3 the following applies:

1. The minimum clear opening of 600 mm x 600 mm may have corner radii up to 100 mm maximum. In such a case where as a consequence of structural analysis of a given design the stress is to be reduced around the opening, it is considered appropriate to take measures to reduce the stress such as making the opening larger with increased radii, e.g. 600 x 800 with 300 mm radii, in which a clear opening of 600 mm x 600 mm with corner radii up to 100 mm maximum fits.

2. The minimum clear opening of not less than 600 mm x 800 mm may also include an opening with corner radii of 300 mm. An opening of 600 mm in height x 800 mm in width may be accepted as access openings in vertical structures where it is not desirable to make large opening in the structural strength aspects, i.e. girders and floors in double bottom tanks.



3. Subject to verification of easy evacuation of injured person on a stretcher the vertical opening 850 mm x 620 mm with wider upper half than 600 mm, while the lower half may be less than 600 mm with the overall height not less than 850 mm is considered an acceptable alternative to the traditional opening of 600 mm x 800 mm with corner radii of 300 mm.



4. If a vertical opening is at a height of more than 600 mm steps and handgrips are to be provided. In such arrangements it is to be demonstrated that an injured person can be easily evacuated.

.4 circular access openings to type C tanks shall have a diameter of not less than 600 mm.

.2 The dimensions referred to in 3.5.3.1.2 and 3.5.3.1.3 may be decreased, if the requirements of 3.5.3 can be met to the satisfaction of the Administration.

- .3 Where cargo is carried in a containment system requiring a secondary barrier, the requirements of 3.5.3.1.2 and 3.5.3.1.3 do not apply to spaces separated from a hold space by a single gastight steel boundary. Such spaces shall be provided only with direct or indirect access from the weather deck, not including any enclosed non-hazardous area.
- .4 Access required for inspection shall be a designated access through structures below and above cargo tanks, which shall have at least the cross-sections as required by 3.5.3.1.3.
- .5 For the purpose of 3.5.1 or 3.5.2, the following shall apply:
- .1 where it is required to pass between the surface to be inspected, flat or curved, and structures such as deck beams, stiffeners, frames, girders, etc., the distance between that surface and the free edge of the structural elements shall be at least 380 mm. The distance between the surface to be inspected and the surface to which the above structural elements are fitted, e.g. deck, bulkhead or shell, shall be at least 450 mm for a curved tank surface (e.g. for a type C tank), or 600 mm for a flat tank surface (e.g. for a type A tank) (see figure 3.1);

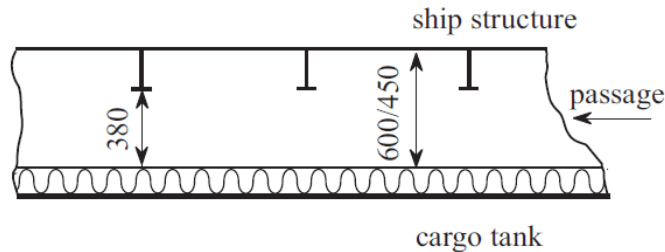


Figure 3.1

- .2 where it is not required to pass between the surface to be inspected and any part of the structure, for visibility reasons the distance between the free edge of that structural element and the surface to be inspected shall be at least 50 mm or half the breadth of the structure's face plate, whichever is the larger (see figure 3.2);

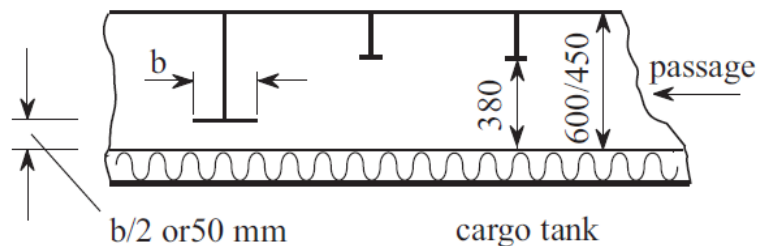


Figure 3.2

- .3 if for inspection of a curved surface where it is required to pass between that surface and another surface, flat or curved, to which no structural elements are fitted, the distance between both surfaces shall be at least 380 mm (see figure 3.3). Where it is not required to pass between that curved surface and another surface, a smaller distance than 380 mm may be accepted taking into account the shape of the curved surface;

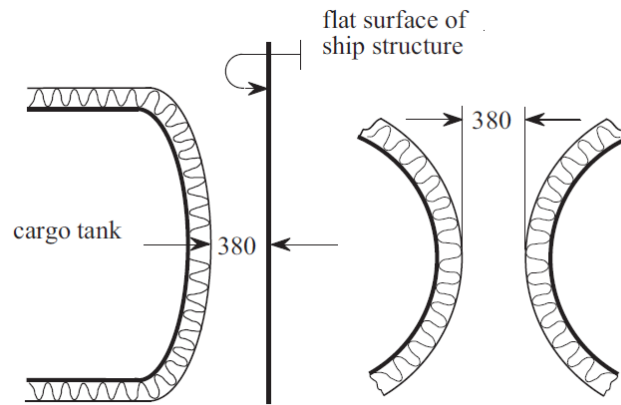


Figure 3.3

- .4 if for inspection of an approximately flat surface where it is required to pass between two approximately flat and approximately parallel surfaces, to which no structural elements are fitted, the distance between those surfaces shall be at least 600 mm. Where fixed access ladders are fitted, a clearance of at least 450 mm shall be provided for access (see figure 3.4);

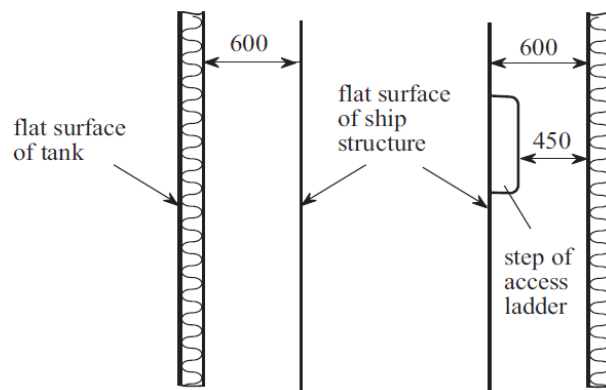


Figure 3.4

- .5 the minimum distances between a cargo tank sump and adjacent double bottom structure in way of a suction well shall not be less than those shown in figure 3.5 (figure 3.5 shows that the distance between the plane surfaces of the sump and the well is a minimum of 150 mm and that the clearance between the edge between the inner bottom plate, and the vertical side of the well and the knuckle point between the spherical or circular surface and sump of the tank is at least 380 mm). If there is no suction well, the distance between the cargo tank sump and the inner bottom shall not be less than 50 mm;

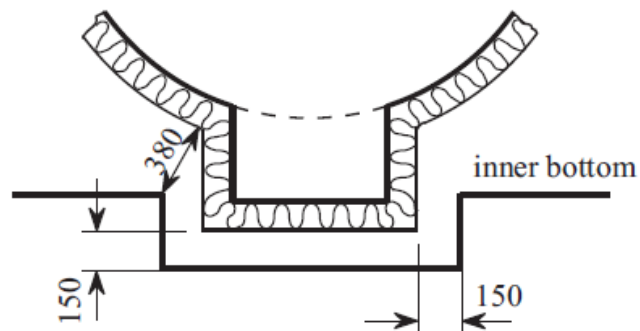


Figure 3.5

- .6 the distance between a cargo tank dome and deck structures shall not be less than 150 mm (see figure 3.6);

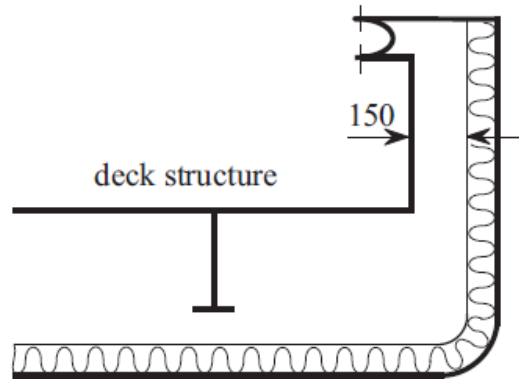


Figure 3.6

- .7 fixed or portable staging shall be installed as necessary for inspection of cargo tanks, cargo tank supports and restraints (e.g. anti-pitching, anti-rolling and anti-flotation chocks), cargo tank insulation etc. This staging shall not impair the clearances specified in 3.5.3.5.1 to 3.5.3.5.4; and
- .8 if fixed or portable ventilation ducting shall be fitted in compliance with 12.1.2, such ducting shall not impair the distances required under 3.5.3.5.1 to 3.5.3.5.4.

3.5.4 Access from the open weather deck to non-hazardous areas shall be located outside the hazardous areas as defined in Section 10, unless the access is by means of an airlock in accordance with 3.6.

3.5.5 Turret compartments shall be arranged with two independent means of access/egress.

3.5.6 Access from a hazardous area below the weather deck to a non-hazardous area is not permitted.

3.6 Airlocks

3.6.1 Access between hazardous area on the open weather deck and non-hazardous spaces shall be by means of an airlock. This shall consist of two self-closing, substantially gastight, steel doors without any holding back arrangements, capable of maintaining the overpressure, at least 1.5 m but no more than 2.5 m apart. The airlock space shall be artificially ventilated from a non-hazardous area and maintained at an overpressure to the hazardous area on the weather deck.

3.6.2 Where spaces are protected by pressurization, the ventilation shall be designed and installed in accordance with recognized standards (1).

3.6.3 An audible and visible alarm system to give a warning on both sides of the airlock shall be provided. The visible alarm shall indicate if one door is open. The audible alarm shall sound if doors on both sides of the air lock are moved from the closed positions.

3.6.4 In ships carrying flammable products, electrical equipment that is located in spaces protected by airlocks and not of the certified safe type, shall be de-energized in case of loss of overpressure in the space.

(1) *Such as the recommended publication by the International Electrotechnical Commission, in particular IEC 60092-502:1999.*

3.6.5 Electrical equipment for manoeuvring, anchoring and mooring, as well as emergency fire pumps that are located in spaces protected by airlocks, shall be of a certified safe type.

Note: *Following requirements apply to spaces protected by air locks stated in items 3.6.4 and 3.6.5:*

1. *The following means for monitoring overpressure in spaces protected by airlocks are considered acceptable alternatives to differential pressure sensing devices in spaces having ventilation rate not less than 30 air changes per hour:*

- *Monitoring of current or power in the electrical supply to the ventilation motors; or*
- *Air flow sensors in the ventilation ducts.*

2. *In spaces where the ventilation rate is less than 30 air changes per hour and where one of the above alternatives is fitted, in addition to the alarms required by 3.6.3, arrangements are to be made to deenergize electrical equipment which is not of the certified safe type, if more than one airlock door is moved from the closed position.*

3.6.6 The airlock space shall be monitored for cargo vapours (see 13.6.2).

3.6.7 Subject to the requirements of the International Convention on Load Lines in force, the door sill shall not be less than 300 mm in height.

3.7 Bilge, ballast and oil fuel arrangements

3.7.1 Where cargo is carried in a cargo containment system not requiring a secondary barrier, suitable drainage arrangements for the hold spaces that are not connected with the machinery space shall be provided. Means of detecting any leakage shall be provided.

3.7.2 Where there is a secondary barrier, suitable drainage arrangements for dealing with any leakage into the hold or insulation spaces through the adjacent ship structure shall be provided. The suction shall not lead to pumps inside the machinery space. Means of detecting such leakage shall be provided.

3.7.3 The hold or interbarrier spaces of type A independent tank ships shall be provided with a drainage system suitable for handling liquid cargo in the event of cargo tank leakage or rupture. Such arrangements shall provide for the return of any cargo leakage to the liquid cargo piping.

3.7.4 Arrangements referred to in 3.7.3 shall be provided with a removable spool piece.

3.7.5 Ballast spaces, including wet duct keels used as ballast piping, oil fuel tanks and non-hazardous spaces, may be connected to pumps in the machinery spaces. Dry duct keels with ballast piping passing through may be connected to pumps in the machinery spaces, provided the connections are led directly to the pumps, and the discharge from the pumps is led directly overboard with no valves or manifolds in either line that could connect the line from the duct keel to lines serving non-hazardous spaces. Pump vents shall not be open to machinery spaces.

Note: The requirements of "Pump vents should not be open to machinery spaces" and "Pump vents shall not be open to machinery spaces" apply only to pumps in the machinery spaces serving dry duct keels through which ballast piping passes.

3.8 Bow and stern loading and unloading arrangements

3.8.1 Subject to the requirements of this section and Section 5, cargo piping may be arranged to permit bow or stern loading and unloading.

3.8.2 Bow or stern loading and unloading lines that are led past accommodation spaces, service spaces or control stations shall not be used for the transfer of products requiring a type 1G ship. Bow or stern loading and unloading lines shall not be used for the transfer of toxic products as specified in 1.2.53, where the design pressure is above 2.5 MPa.

3.8.3 Portable arrangements shall not be permitted.

3.8.4.1 Entrances, air inlets and openings to accommodation spaces, service spaces, machinery spaces and controls stations, shall not face the cargo shore connection location of bow or stern loading and unloading arrangements. They shall be located on the outboard side of the superstructure or deckhouse at a distance of at least 4% of the length of the ship, but not less than 3 m from the end of the superstructure or deckhouse facing the cargo shore connection location of the bow or stern loading and unloading arrangements. This distance need not exceed 5 m.

3.8.4.2 Windows and sidescuttles facing the shore connection location and on the sides of the superstructure or deckhouse within the distance mentioned above shall be of the fixed (non-opening) type.

3.8.4.3 In addition, during the use of the bow or stern loading and unloading arrangements, all doors, ports and other openings on the corresponding superstructure or deckhouse side shall be kept closed.

3.8.4.4 Where, in the case of small ships, compliance with 3.2.4.1 to 3.2.4.4 and 3.8.4.1 to 3.8.4.3 is not possible, the Administration may approve relaxations from the above requirements.

3.8.5 Deck openings and air inlets and outlets to spaces within distances of 10 m from the cargo shore connection location shall be kept closed during the use of bow or stern loading or unloading arrangements.

3.8.6 Firefighting arrangements for the bow or stern loading and unloading areas shall be in accordance with 11.3.1.4 and 11.4.6.

3.8.7 Means of communication between the cargo control station and the shore connection location shall be provided and, where applicable, certified for use in hazardous areas.

SECTION 4

CARGO CONTAINMENT

	Page
4.1 DEFINITIONS	4- 2
4.2 APPLICATION	4- 2
4.3 FUNCTIONAL REQUIREMENTS	4- 2
4.4 CARGO CONTAINMENT SAFETY PRINCIPLES	4- 4
4.5 SECONDARY BARRIERS IN RELATION TO TANK TYPES	4- 5
4.6 DESIGN OF SECONDARY BARRIERS	4- 5
4.7 PARTIAL SECONDARY BARRIERS AND PRIMARY BARRIER SMALL LEAK PROTECTION SYSTEM..	4- 7
4.8 SUPPORTING ARRANGEMENTS	4- 7
4.9 ASSOCIATED STRUCTURE AND EQUIPMENT	4- 7
4.10 THERMAL INSULATION	4- 8
4.11 GENERAL	4- 8
4.12 PERMANENT LOADS	4- 8
4.13 FUNCTIONAL LOADS.....	4- 8
4.14 ENVIRONMENTAL LOADS	4- 10
4.15 ACCIDENTAL LOADS	4- 11
4.16 GENERAL	4- 12
4.17 STRUCTURAL ANALYSES	4- 12
4.18 DESIGN CONDITIONS	4- 13
4.19 MATERIALS	4- 19
4.20 CONSTRUCTION PROCESSES	4- 23
4.21 TYPE A INDEPENDENT TANKS	4- 24
4.22 TYPE B INDEPENDENT TANKS	4- 26
4.23 TYPE C INDEPENDENT TANKS	4- 29
4.24 MEMBRANE TANKS	4- 35
4.25 INTEGRAL TANKS.....	4- 39
4.26 SEMI-MEMBRANE TANKS	4- 40
4.27 LIMIT STATE DESIGN FOR NOVEL CONCEPTS.....	4- 40
4.28 GUIDANCE NOTES FOR SECTION 4	4- 41

Goal

To ensure the safe containment of cargo under all design and operating conditions having regard to the nature of the cargo carried. This will include measures to:

- .1 provide strength to withstand defined loads;
- .2 maintain the cargo in a liquid state;
- .3 design for or protect the hull structure from low temperature exposure; and
- .4 prevent the ingress of water or air into the cargo containment system.

4.1 Definitions

4.1.1 A *cold spot* is a part of the hull or thermal insulation surface where a localized temperature decrease occurs with respect to the allowable minimum temperature of the hull or of its adjacent hull structure, or to design capabilities of cargo pressure/temperature control systems required in Section 7.

4.1.2 *Design vapour pressure "P₀"* is the maximum gauge pressure, at the top of the tank, to be used in the design of the tank.

4.1.3 *Design temperature* for selection of materials is the minimum temperature at which cargo may be loaded or transported in the cargo tanks.

4.1.4 *Independent tanks* are self-supporting tanks. They do not form part of the ship's hull and are not essential to the hull strength. There are three categories of independent tank, which are referred to in 4.21, 4.22 and 4.23.

4.1.5 *Membrane tanks* are non-self-supporting tanks that consist of a thin liquid and gastight layer (membrane) supported through insulation by the adjacent hull structure. Membrane tanks are covered in 4.24.

4.1.6 *Integral tanks* are tanks that form a structural part of the hull and are influenced in the same manner by the loads that stress the adjacent hull structure. Integral tanks are covered in 4.25.

4.1.7 *Semi-membrane tanks* are non-self-supporting tanks in the loaded condition and consist of a layer, parts of which are supported through insulation by the adjacent hull structure. Semi-membrane tanks are covered in 4.26.

4.1.8 In addition to the definitions in 1.2, the definitions given in this section shall apply throughout the Code.

4.2 Application

Unless otherwise specified in part E, the requirements of parts A to D shall apply to all types of tanks, including those covered in part F.

**PART A
CARGO CONTAINMENT**

4.3 Functional requirements

4.3.1 The design life of the cargo containment system shall not be less than the design life of the ship *or 25 years whichever is the larger*.

4.3.2 Cargo containment systems shall be designed for North Atlantic environmental conditions and relevant long-term sea state scatter diagrams for unrestricted navigation. Lesser environmental conditions, consistent with the expected usage, may be accepted by the Administration for cargo containment systems used exclusively for restricted navigation. Greater environmental conditions may be required for cargo containment systems operated in conditions more severe than the North Atlantic environment.

4.3.3 Cargo containment systems shall be designed with suitable safety margins:

.1 to withstand, in the intact condition, the environmental conditions anticipated for the cargo containment system's design life and the loading conditions appropriate for them, which include full homogeneous and partial load conditions, partial filling within defined limits and ballast voyage loads; and

.2 being appropriate for uncertainties in loads, structural modelling, fatigue, corrosion, thermal effects, material variability, ageing and construction tolerances.

4.3.4 The cargo containment system structural strength shall be assessed against failure modes, including but not limited to plastic deformation, buckling and fatigue. The specific design conditions which shall be considered for the design of each cargo containment system are given in 4.21 to 4.26. There are three main categories of design conditions:

.1 Ultimate design conditions – the cargo containment system structure and its structural components shall withstand loads liable to occur during its construction, testing and anticipated use in service, without loss of structural integrity. The design shall take into account proper combinations of the following loads:

.1 internal pressure;

.2 external pressure;

.3 dynamic loads due to the motion of the ship;

.4 thermal loads;

.5 sloshing loads;

.6 loads corresponding to ship deflections;

.7 tank and cargo weight with the corresponding reaction in way of supports;

.8 insulation weight;

.9 loads in way of towers and other attachments; and

.10 test loads.

.2 Fatigue design conditions – the cargo containment system structure and its structural components shall not fail under accumulated cyclic loading.

- .3 The cargo containment system shall meet the following criteria:
- .1 Collision – the cargo containment system shall be protectively located in accordance with 2.4.1 and withstand the collision loads specified in 4.15.1 without deformation of the supports, or the tank structure in way of the supports, likely to endanger the tank structure.
 - .2 Fire – the cargo containment systems shall sustain, without rupture, the rise in internal pressure specified in 8.4.1 under the fire scenarios envisaged therein.
 - .3 Flooded compartment causing buoyancy on tank – the anti-flotation arrangements shall sustain the upward force, specified in 4.15.2, and there shall be no endangering plastic deformation to the hull.

4.3.5 Measures shall be applied to ensure that scantlings required meet the structural strength provisions and be maintained throughout the design life. Measures may include, but are not limited to, material selection, coatings, corrosion additions, cathodic protection and inerting. Corrosion allowance need not be required in addition to the thickness resulting from the structural analysis. However, where there is no environmental control, such as inerting around the cargo tank, or where the cargo is of a corrosive nature, the Administration or recognized organization acting on its behalf may require a suitable corrosion allowance.

4.3.6 An inspection/survey plan for the cargo containment system shall be developed and approved by the Administration or recognized organization acting on its behalf. The inspection/survey plan shall identify areas that need inspection during surveys throughout the cargo containment system's life and, in particular, all necessary in-service survey and maintenance that was assumed when selecting cargo containment system design parameters. Cargo containment systems shall be designed, constructed and equipped to provide adequate means of access to areas that need inspection as specified in the inspection/survey plan. Cargo containment systems, including all associated internal equipment, shall be designed and built to ensure safety during operations, inspection and maintenance (see 3.5).

4.4 Cargo containment safety principles

4.4.1 The containment systems shall be provided with a full secondary liquid-tight barrier capable of safely containing all potential leakages through the primary barrier and, in conjunction with the thermal insulation system, of preventing lowering of the temperature of the ship structure to an unsafe level.

4.4.2 However, the size and configuration or arrangement of the secondary barrier may be reduced where an equivalent level of safety is demonstrated in accordance with the requirements of 4.4.3 to 4.4.5, as applicable.

4.4.3 Cargo containment systems for which the probability for structural failures to develop into a critical state has been determined to be extremely low, but where the possibility of leakages through the primary barrier cannot be excluded, shall be equipped with a partial secondary barrier and small leak protection system capable of safely handling and disposing of the leakages. The arrangements shall comply with the following requirements:

- .1 failure developments that can be reliably detected before reaching a critical state (e.g. by gas detection or inspection) shall have a sufficiently long development time for remedial actions to be taken; and
- .2 failure developments that cannot be safely detected before reaching a critical state shall have a predicted development time that is much longer than the expected lifetime of the tank.

4.4.4 No secondary barrier is required for cargo containment systems, e.g. type C independent tanks, where the probability for structural failures and leakages through the primary barrier is extremely low and can be neglected.

4.4.5 No secondary barrier is required where the cargo temperature at atmospheric pressure is at or above -10°C .

4.4.6 *Leak before failure*

For type B-tanks it shall be document if failure development can be safely detected by leakage detection. If the following conditions have been fulfilled, leak-before-failure (LBF) has been proven:

4.4.6.1 *A crack in the tank shell must be shown by fracture mechanics to exhibit stable growth through the shell thickness until the crack is sufficiently large to cause a leakage likely to be detected by the gas detection system, and*

4.4.6.2 *Continue to grow in a stable manner for a period of at least 15 days in specified environmental conditions.*

4.4.6.3 *The small leak protection system must be designed to safely contain and dispose of the expected leakage rate during the 15 day period.*

4.5 **Secondary barriers in relation to tank types**

Secondary barriers in relation to the tank types defined in 4.21 to 4.26 shall be provided in accordance with the following table. **Table 4.1 Basic Requirements with respect to Secondary Barriers**

Cargo temperature at atmospheric pressure	-10°C and above	Below -10°C down to -55°C	Below -55°C
Basic tank type	No secondary barrier required	Hull may act as secondary barrier	Separate secondary barrier where required
Integral		Tank type not normally allowed (1)	
Membrane		Complete secondary barrier	
Semi-membrane		Complete secondary barrier (2)	
Independent Type A		Complete secondary barrier	
Independent Type B		Partial secondary barrier	
Independent Type C		No secondary barrier required	
<p>(1) <i>A complete secondary barrier shall normally be required if cargoes with a temperature at atmospheric pressure below -10°C are permitted in accordance with 4.25.1.</i></p> <p>(2) <i>In the case of semi-membrane tanks that comply in all respects with the requirements applicable to type B independent tanks, except for the manner of support, the Administration may, after special consideration, accept a partial secondary barrier.</i></p>			

4.6 **Design of secondary barriers**

4.6.1 Where the cargo temperature at atmospheric pressure is not below -55°C , the hull structure may act as a secondary barrier based on the following:

- .1 the hull material shall be suitable for the cargo temperature at atmospheric pressure as required by 4.19.1.4; and
- .2 the design shall be such that this temperature will not result in unacceptable hull stresses.

4.6.3 The design of the secondary barrier shall be such that:

- .1 it is capable of containing any envisaged leakage of liquid cargo for a period of 15 days, unless different criteria apply for particular voyages, taking into account the load spectrum referred to in 4.18.2.6;
- .2 physical, mechanical, or operational events within the cargo tank that could cause failure of the primary barrier shall not impair the due function of the secondary barrier, or vice versa;
- .3 failure of a support or an attachment to the hull structure will not lead to loss of liquid tightness of both the primary and secondary barriers;
- .4 it is capable of being periodically checked for its effectiveness by means acceptable to TL. This may be by means of a visual inspection or a pressure/vacuum test, or other suitable means carried out according to a documented procedure agreed with TL.

Note: For effectiveness assessment of containment systems with glued secondary barriers:

- *At the time of construction, a tightness test should be carried out in accordance with approved system designers' procedures and acceptance criteria before and after initial cool down. Low differential pressures tests are not considered an acceptable test.*
- *If the designer's threshold values are exceeded, an investigation is to be carried out and additional testing such as thermographic or acoustic emissions testing should be carried out.*
- *The values recorded should be used as reference for future assessment of secondary barrier tightness.*

For containment systems with welded metallic secondary barriers, a tightness test after initial cool down is not required.

- .5 the methods required in 4.6.3.4 above shall be approved by the Administration or recognized organization acting on its behalf and shall include, where applicable to the test procedure:
 - .1 details on the size of defect acceptable and the location within the secondary barrier, before its liquid-tight effectiveness is compromised;
 - .2 accuracy and range of values of the proposed method for detecting defects in .1 above;
 - .3 scaling factors to be used in determining the acceptance criteria, if full scale model testing is not undertaken; and
 - .4 effects of thermal and mechanical cyclic loading on the effectiveness of the proposed test; and
- .6 the secondary barrier shall fulfil its functional requirements at a static angle of heel of 30°.

.7 Requirements with respect to pressure and leak testing of secondary barriers will be decided in each separate case.

4.7 Partial secondary barriers and primary barrier small leak protection system

4.7.1 Partial secondary barriers as permitted in 4.4.3 shall be used with a small leak protection system and meet all the requirements in 4.6.2. The small leak protection system shall include means to detect a leak in the primary barrier, provision such as a spray shield to deflect any liquid cargo down into the partial secondary barrier, and means to dispose of the liquid, which may be by natural evaporation.

4.7.2 The capacity of the partial secondary barrier shall be determined, based on the cargo leakage corresponding to the extent of failure resulting from the load spectrum referred to in 4.18.2.6, after the initial detection of a primary leak. Due account may be taken of liquid evaporation, rate of leakage, pumping capacity and other relevant factors.

4.7.3 The required liquid leakage detection may be by means of liquid sensors, or by an effective use of pressure, temperature or gas detection systems, or any combination thereof.

4.8 Supporting arrangements

4.8.1 The cargo tanks shall be supported by the hull in a manner that prevents bodily movement of the tank under the static and dynamic loads defined in 4.12 to 4.15, where applicable, while allowing contraction and expansion of the tank under temperature variations and hull deflections without undue stressing of the tank and the hull.

4.8.2 *The supports shall be calculated for the most probable largest severe resulting acceleration taking into account rotational as well as translational effects. This acceleration in a given direction β may be determined as shown in Figure 4.3. The half axes of the "acceleration ellipse" are determined according to 4.28.2 for all tanks except type B-tanks where accelerations from direct hydrodynamic analysis shall be applied see (4.21 and 4.22).*

4.8.3 *For independent tanks and, where appropriate, for membrane tanks and semi-membrane tanks, provisions shall be made to key the tanks against the rotational effects referred to in 4.8.2 for all tanks except type B tanks where accelerations from direct hydrodynamics analysis shall apply (see 4.21 and 4.22).*

4.8.4 Anti-flotation arrangements shall be provided for independent tanks and capable of withstanding the loads defined in 4.15.2 without plastic deformation likely to endanger the hull structure.

4.8.5 Supports and supporting arrangements shall withstand the loads defined in 4.13.9 and 4.15, but these loads need not be combined with each other or with wave-induced loads.

4.9 Associated structure and equipment

4.9.1 Cargo containment systems shall be designed for the loads imposed by associated structure and equipment. This includes pump towers, cargo domes, cargo pumps and piping, stripping pumps and piping, nitrogen piping, access hatches, ladders, piping penetrations, liquid level gauges, independent level alarm gauges, spray nozzles, and instrumentation systems (such as pressure, temperature and strain gauges).

4.10 Thermal insulation

4.10.1 Thermal insulation shall be provided, as required, to protect the hull from temperatures below those allowable (see 4.19.1) and limit the heat flux into the tank to the levels that can be maintained by the pressure and temperature control system applied in Section 7.

4.10.2 In determining the insulation performance, due regard shall be given to the amount of the acceptable boil-off in association with the reliquefaction plant on board, main propulsion machinery or other temperature control system.

PART B**DESIGN LOADS****4.11 General**

This section defines the design loads to be considered with regard to the requirements in 4.16, 4.17 and 4.18. This includes:

- .1 load categories (permanent, functional, environmental and accidental) and the description of the loads;
- .2 the extent to which these loads shall be considered depending on the type of tank, and is more fully detailed in the following paragraphs; and
- .3 tanks, together with their supporting structure and other fixtures, that shall be designed taking into account relevant combinations of the loads described below.

4.12 Permanent loads**4.12.1 Gravity loads**

The weight of tank, thermal insulation, loads caused by towers and other attachments shall be considered.

4.12.2 Permanent external loads

Gravity loads of structures and equipment acting externally on the tank shall be considered.

4.13 Functional loads

4.13.1 Loads arising from the operational use of the tank system shall be classified as functional loads. All functional loads that are essential for ensuring the integrity of the tank system, during all design conditions, shall be considered. As a minimum, the effects from the following criteria, as applicable, shall be considered when establishing functional loads:

- .1 internal pressure;
- .2 external pressure;
- .3 thermally induced loads;
- .4 vibration;

- .5 interaction loads;
- .6 loads associated with construction and installation;
- .7 test loads;
- .8 static heel loads; and
- .9 weight of cargo.

4.13.2 Internal pressure

4.13.2.1 In all cases, including 4.13.2.2, P_o shall not be less than MARVS.

4.13.2.2 For cargo tanks, where there is no temperature control and where the pressure of the cargo is dictated only by the ambient temperature, P_o shall not be less than the gauge vapour pressure of the cargo at a temperature of 45°C except as follows:

4.13.2.2.1 Lower values of ambient temperature may be accepted by the Administration or recognized organization acting on its behalf for ships operating in restricted areas. Conversely, higher values of ambient temperature may be required; and

4.13.2.2.2 For ships on voyages of restricted duration, P_o may be calculated based on the actual pressure rise during the voyage, and account may be taken of any thermal insulation of the tank.

4.13.2.2.3 Subject to special consideration by the Administration and to the limitations given in 4.21 to 4.26, for the various tank types, a vapour pressure P_h higher than P_o may be accepted for site specific conditions (harbour or other locations), where dynamic loads are reduced. Any relief valve setting resulting from this paragraph shall be recorded in the International Certificate of Fitness for the Carriage of Liquefied Gases in Bulk.

4.13.2.2.4 The internal pressure P_{eq} results from the vapour pressure P_o or P_h plus the maximum associated dynamic liquid pressure P_{gd} , , but not including the effects of liquid sloshing loads. Guidance formulae for associated dynamic liquid pressure P_{gd} are given in 4.28.1.

4.13.3 External pressure

External design pressure loads shall be based on the difference between the minimum internal pressure and the maximum external pressure to which any portion of the tank may be simultaneously subjected.

4.13.4 Thermally induced loads

4.13.4.1 Transient thermally induced loads during cooling down periods shall be considered for tanks intended for cargo temperatures below -55°C.

4.13.4.2 Stationary thermally induced loads shall be considered for cargo containment systems where the design supporting arrangements or attachments and operating temperature may give rise to significant thermal stresses (see 7.2).

4.13.5 Vibration

The potentially damaging effects of vibration on the cargo containment system shall be considered.

Design of hull and cargo tanks, choice of machinery and propellers shall be aimed at keeping vibration exciting forces and vibratory stresses low. Calculations or other appropriate information pertaining to the excitation forces from machinery and propellers may be required for membrane tanks, semi-membrane tanks, independent tanks type B, and in special cases, for independent tanks type A and C. Full-scale measurements of vibratory stresses and or frequencies may be required.

4.13.6 Interaction loads

The static component of loads resulting from interaction between cargo containment system and the hull structure, as well as loads from associated structure and equipment, shall be considered.

4.13.7 Loads associated with construction and installation

Loads or conditions associated with construction and installation, e.g. lifting, shall be considered.

4.13.8 Test loads

Account shall be taken of the loads corresponding to the testing of the cargo containment system referred to in 4.21 to 4.26.

4.13.9 Static heel loads

Loads corresponding to the most unfavourable static heel angle within the range 0° to 30° shall be considered.

4.13.10 Other loads

Any other loads not specifically addressed, which could have an effect on the cargo containment system, shall be taken into account.

4.14 Environmental loads

Environmental loads are defined as those loads on the cargo containment system that are caused by the surrounding environment and that are not otherwise classified as a permanent, functional or accidental load.

4.14.1 Loads due to ship motion

4.14.1.1 The determination of dynamic loads shall take into account the long-term distribution of ship motion in irregular seas, which the ship will experience during its operating life. Account may be taken of the reduction in dynamic loads due to necessary speed reduction and variation of heading.

4.14.1.2 The ship's motion shall include surge, sway, heave, roll, pitch and yaw. The accelerations acting on tanks shall be estimated at their centre of gravity and include the following components:

- .1 vertical acceleration: motion accelerations of heave, pitch and, possibly, roll (normal to the ship base);

- .2 transverse acceleration: motion accelerations of sway, yaw and roll and gravity component of roll; and
- .3 longitudinal acceleration: motion accelerations of surge and pitch and gravity component of pitch.

4.14.1.3 Methods to predict accelerations due to ship motion shall be proposed and approved by the Administration or recognized organization acting on its behalf.

4.14.1.4 Guidance formulae for acceleration components are given in 4.28.2.

4.14.1.5 Ships for restricted service may be given special consideration.

4.14.2 Dynamic interaction loads

Account shall be taken of the dynamic component of loads resulting from interaction between cargo containment systems and the hull structure, including loads from associated structures and equipment.

4.14.3 Sloshing loads

4.14.3.1 The sloshing loads on a cargo containment system and internal components shall be evaluated based on allowable filling levels.

4.14.3.2 When partial filling is contemplated, the risk of significant loads due to sloshing induced by any of the ship motions mentioned in item 4.14.1.2 is to be considered.

4.14.3.3 When significant sloshing-induced loads are expected to be present, special tests and calculations shall be required covering the full range of intended filling levels.

4.14.4 Snow and ice loads

Snow and icing shall be considered, if relevant.

4.14.5 Loads due to navigation in ice

Loads due to navigation in ice shall be considered for vessels intended for such service.

4.15 Accidental loads

Accidental loads are defined as loads that are imposed on a cargo containment system and its supporting arrangements under abnormal and unplanned conditions.

4.15.1 Collision loads

The collision load shall be determined based on the cargo containment system under fully loaded condition with an inertial force corresponding to 0.5 g in the forward direction and 0.25 g in the aft direction, where "g" is gravitational acceleration.

4.15.2 Loads due to flooding on ship

For independent tanks, loads caused by the buoyancy of an empty tank in a hold space flooded to the summer load draught shall be considered in the design of the anti-flotation chocks and the supporting hull structure.

**PART C
STRUCTURAL INTEGRITY****4.16 General**

4.16.1 The structural design shall ensure that tanks have an adequate capacity to sustain all relevant loads with an adequate margin of safety. This shall take into account the possibility of plastic deformation, buckling, fatigue and loss of liquid and gas tightness.

4.16.2 The structural integrity of cargo containment systems shall be demonstrated by compliance with 4.21 to 4.26, as appropriate, for the cargo containment system type.

4.16.3 The structural integrity of cargo containment system types that are of novel design and differ significantly from those covered by 4.21 to 4.26 shall be demonstrated by compliance with 4.27 to ensure that the overall level of safety provided in this section is maintained.

4.16.4 When determining the design stresses the minimum specified mechanical properties of the material, including the weld metal in the fabricated condition shall be used. For certain materials, subject to special consideration by the Society, advantage may be taken of enhanced yield strength and tensile strength at design temperatures below -105°C. However, material strength data at ambient temperature shall be applied at ambient temperature conditions, e.g. pressure testing

4.17 Structural analyses**4.17.1 Analysis**

4.17.1.1 The design analyses shall be based on accepted principles of statics, dynamics and strength of materials.

4.17.1.2 Simplified methods or simplified analyses may be used to calculate the load effects, provided that they are conservative. Model tests may be used in combination with, or instead of, theoretical calculations. In cases where theoretical methods are inadequate, model or full-scale tests may be required.

4.17.1.3 When determining responses to dynamic loads, the dynamic effect shall be taken into account where it may affect structural integrity.

4.17.2 Load scenarios

4.17.2.1 For each location or part of the cargo containment system to be considered and for each possible mode of failure to be analysed, all relevant combinations of loads that may act simultaneously shall be considered.

4.17.2.2 The most unfavourable scenarios for all relevant phases during construction, handling, testing and in service, and conditions shall be considered.

4.17.3 When the static and dynamic stresses are calculated separately, and unless other methods of calculation are justified, the total stresses shall be calculated according to:

$$\sigma_x = \sigma_{x \cdot st} \pm \sqrt{\sum (\sigma_{x \cdot dyn})^2}$$

$$\sigma_y = \sigma_{y \cdot st} \pm \sqrt{\sum (\sigma_{y \cdot dyn})^2}$$

$$\sigma_z = \sigma_{z \cdot st} \pm \sqrt{\sum (\sigma_{z \cdot dyn})^2}$$

$$\tau_{xy} = \sigma_{xy \cdot st} \pm \sqrt{\sum (\tau_{xy \cdot dyn})^2}$$

$$\tau_{xz} = \sigma_{xz \cdot st} \pm \sqrt{\sum (\tau_{xz \cdot dyn})^2}$$

$$\tau_{yz} = \sigma_{yz \cdot st} \pm \sqrt{\sum (\tau_{yz \cdot dyn})^2}$$

where:

$\sigma_{x \cdot st}$, $\sigma_{y \cdot st}$, $\sigma_{z \cdot st}$, $\tau_{xy \cdot st}$, $\tau_{xz \cdot st}$ and $\tau_{yz \cdot st}$ are static stresses; and

$\sigma_{x \cdot dyn}$, $\sigma_{y \cdot dyn}$, $\sigma_{z \cdot dyn}$, $\tau_{xy \cdot dyn}$, $\tau_{xz \cdot dyn}$ and $\tau_{yz \cdot dyn}$ are dynamic stresses,

each shall be determined separately from acceleration components and hull strain components due to deflection and torsion.

4.18 Design conditions

All relevant failure modes shall be considered in the design for all relevant load scenarios and design conditions. The design conditions are given in the earlier part of this section, and the load scenarios are covered by 4.17.2.

4.18.1 Ultimate design condition

Structural capacity may be determined by testing, or by analysis, taking into account both the elastic and plastic material properties, by simplified linear elastic analysis or by the Code provisions.

4.18.1.1 Plastic deformation and buckling shall be considered.

4.18.1.2 Analysis shall be based on characteristic load values as follows:

Permanent loads : Expected values

Functional loads : Specified values

Environmental loads: For wave loads: most probable largest load encountered during 10^8 wave encounters.

4.18.1.3 For the purpose of ultimate strength assessment, the following material parameters apply:

.1.1 R_e = specified minimum yield stress at room temperature (N/mm²). If the stress-strain curve does not show a defined yield stress, the 0.2% proof stress applies.

.1.2 R_m = specified minimum tensile strength at room temperature (N/mm²).

For welded connections where under-matched welds, i.e. where the weld metal has lower tensile strength than the parent metal, are unavoidable, such as in some aluminium alloys, the respective R_e and R_m of the welds, after any applied heat treatment, shall be used. In such cases, the transverse weld tensile strength shall not be less than the actual yield strength of the parent metal. If this cannot be achieved, welded structures made from such materials shall not be incorporated in cargo containment systems.

.2 The above properties shall correspond to the minimum specified mechanical properties of the material, including the weld metal in the as-fabricated condition. Subject to special consideration by the Administration or recognized organization acting on its behalf, account may be taken of the enhanced yield stress and tensile strength at low temperature. The temperature on which the material properties are based shall be shown on the International Certificate of Fitness for the Carriage of Liquefied Gases in Bulk required in 1.4.

4.18.1.4 The equivalent stress σ_c (von Mises, Huber) shall be determined by:

$$\sigma_c = \sqrt{\sigma_x^2 + \sigma_y^2 + \sigma_z^2 - \sigma_x \sigma_y - \sigma_x \sigma_z - \sigma_y \sigma_z + 3(\tau_{xy}^2 + \tau_{xz}^2 + \tau_{yz}^2)}$$

where:

σ_x = Total normal stress in x-direction

σ_y = Total normal stress in y-direction

σ_z = Total normal stress in z-direction

τ_{xy} = Total shear stress in x-y plane.

τ_{xz} = Total shear stress in x-z plane.

τ_{yz} = Total shear stress in y-z plane.

The above values shall be calculated as described in 4.17.3.

4.18.1.5 Allowable stresses for materials other than those covered by Section 6 shall be subject to approval by the Administration or recognized organization acting on its behalf in each case.

4.18.1.6 Stresses may be further limited by fatigue analysis, crack propagation analysis and buckling criteria.

4.18.2 Fatigue design condition

4.18.2.1 The fatigue design condition is the design condition with respect to accumulated cyclic loading.

4.18.2.2 Where a fatigue analysis is required, the cumulative effect of the fatigue load shall comply with:

$$\sum \frac{n_i}{N_i} + \frac{n_{\text{Loading}}}{N_{\text{Loading}}} \leq C_w$$

where:

n_i = Number of stress cycles at each stress level during the life of the ship

N_i = Number of cycles to fracture for the respective stress level according to the Wöhler (S-N) curve

n_{Loading} = Number loading and unloading cycles during the life of the tank, not to be less than 1000 **(1)**. Loading and unloading cycles include a complete pressure and thermal cycle;

N_{Loading} = Number of cycles to fracture for the fatigue loads due to loading and unloading; and

C_w = Maximum allowable cumulative fatigue damage ratio.

The fatigue damage shall be based on the design life of the tank but not less than 10^8 wave encounters, or 25 years whichever is the stricter.

Guidelines for Fracture Mechanics Analysis

Fracture mechanics analysis shall consider propagation rates in parent material, weld metal and heat affected zone.

The fracture mechanical properties are to be documented for the various thicknesses of parent material and weld metal alike, possibly by experiment according to ASTM E 399 - 70 T.

It is to be determined to which length an assumed through thickness crack will grow to under dynamic loading.

The calculation is to be based on a stress spectrum as stipulated under 4.3.4.4. The initial length of the existing crack is to be taken equal to the minimum flow size that can be detected by means of a monitoring system (e.g., gas detectors), however, not less than the plate thickness.

4.18.2.3 Where required, the cargo containment system shall be subject to fatigue analysis, considering all fatigue loads and their appropriate combinations for the expected life of the cargo containment system. Consideration shall be given to various filling conditions.

4.18.2.4.1 Design S-N curves used in the analysis shall be applicable to the materials and weldments, construction details, fabrication procedures and applicable state of the stress envisioned.

4.18.2.4.2 The S-N curves shall be based on a 97.6% probability of survival corresponding to the mean-minus-two-standard-deviation curves of relevant experimental data up to final failure. Use of S-N curves derived in a different way requires adjustments to the acceptable C_w values specified in 4.18.2.7 to 4.18.2.9.

(1) 1,000 cycles normally corresponds to 20 years of operation.

4.18.2.5 Analysis shall be based on characteristic load values as follows:

Permanent loads: Expected values

Functional loads: Specified values or specified history

Environmental loads: Expected load history, but not less than 108 cycles

If simplified dynamic loading spectra are used for the estimation of the fatigue life, they shall be specially considered by the Administration or recognized organization acting on its behalf.

4.18.2.6.1 Where the size of the secondary barrier is reduced, as is provided for in 4.4.3, fracture mechanics analyses of fatigue crack growth shall be carried out to determine:

- .1 crack propagation paths in the structure;
- .2 crack growth rate;
- .3 the time required for a crack to propagate to cause a leakage from the tank;
- .4 the size and shape of through thickness cracks; and
- .5 the time required for detectable cracks to reach a critical state.

The fracture mechanics are, in general, based on crack growth data taken as a mean value plus two standard deviations of the test data.

4.18.2.6.2 In analysing crack propagation, the largest initial crack not detectable by the inspection method applied shall be assumed, taking into account the allowable non-destructive testing and visual inspection criterion, as applicable.

4.18.2.6.3 Crack propagation analysis under the condition specified in 4.18.2.7: the simplified load distribution and sequence over a period of 15 days may be used. Such distributions may be obtained as indicated in Figure 4.1. Load distribution and sequence for longer periods, such as in 4.18.2.8 and 4.18.2.9 shall be approved by the Administration or recognized organization acting on its behalf.

4.18.2.6.4 The arrangements shall comply with 4.18.2.7 to 4.18.2.9, as applicable.

4.18.2.6.5 The analysis shall establish the size and shape of possible fatigue cracks at penetration of the tank wall and during subsequent propagation as through-thickness cracks as relevant, taking into account the stress distribution in the tank wall.

4.18.2.6.6 If necessary, the requirements for establishing crack sizes and crack shapes may have to be documented by means of experiments. The fracture toughness properties of the tank material and its welded joints in the thicknesses used in the design shall be well documented to permit determination of crack sizes for important parts of the tanks. The determination of crack sizes shall be performed using recognized calculation procedures which have to be approved in each case.

4.18.2.6.7 The fracture toughness properties shall be expressed using recognized standards or practice e.g., BS 7910 "Guide on the Methods for Assessing the Acceptability of Flaws in Metallic Structures".

Depending on material, fracture toughness properties determined for loading rates similar to those expected in the tank system may be required.

The fatigue crack propagation rate properties shall be documented for the tank material and its welded joints for the relevant service conditions. These properties shall be expressed using a recognized fracture mechanics practice relating the fatigue crack propagation rate to the variation in stress intensity, ΔK , at the crack tip. The effect of stresses produced by static loads shall be taken into account when establishing the choice of fatigue crack propagation rate parameters.

4.18.2.6.8 Fracture mechanics analysis procedures are given in the rule sections for the Independent tanks of type B, 4.21 for prismatic tanks and 4.22 for spherical tanks.

4.18.2.7 For failures that can be reliably detected by means of leakage detection:

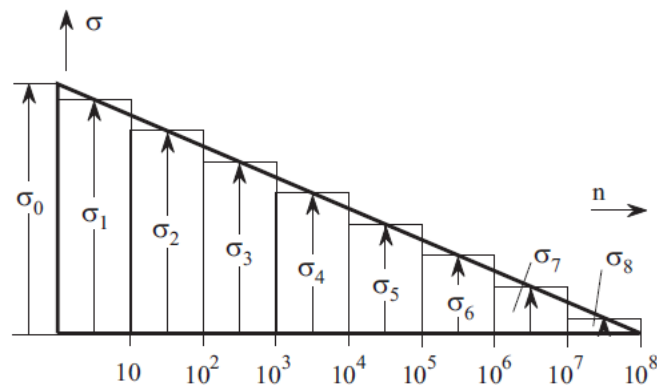
C_w shall be less than or equal to 0.5.

Predicted remaining failure development time, from the point of detection of leakage till reaching a critical state, shall not be less than 15 days, unless different requirements apply for ships engaged in particular voyages.

4.18.2.8 For failures that cannot be detected by leakage but that can be reliably detected at the time of in-service inspections:

C_w shall be less than or equal to 0.5.

Predicted remaining failure development time, from the largest crack not detectable by in-service inspection methods until reaching a critical state, shall not be less than three times the inspection interval.



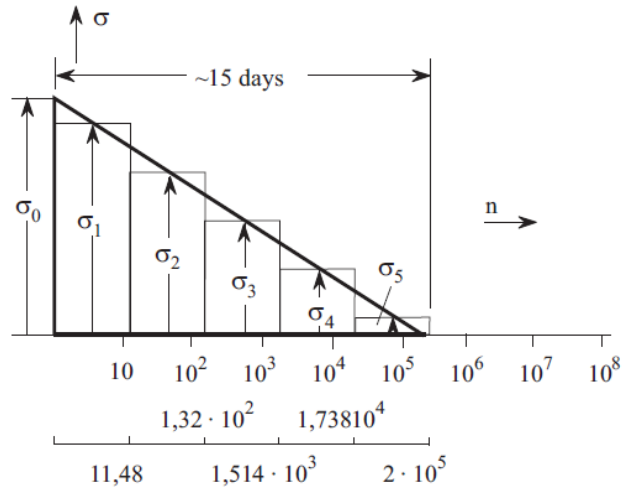
Fatigue stress:
$$\sigma_i = \sigma_0 \left(1,0625 - \frac{i}{8} \right)$$

related load cycle:
$$n_i = 0,9 \cdot 10^i$$

$$i = 1, 2, 3, 4, 5, 6, 7, 8$$

σ_0 = most probable maximum stress over the life of the ship (probability level $Q = 10^{-8}$)

Figure 4.1 (a) Long-term wave induced load spectrum (straight line spectrum)



Fatigue stress: $\sigma_a = \sigma_0 \left(1,1 - \frac{a}{5,3}\right)$

$a = 1,06, 2,12, 3,18, 4,24, 5,30$

related load cycle: $n_a = 0,913 \cdot 10^a$

The load cycle scale is logarithmic.

Figure 4.1 (b) Short-term wave induced load spectrum representing the worst period of 15 days ($2 \cdot 10^5$ load cycles) in the long-term spectrum, the value $2 \cdot 10^5$ is an example of estimate

4.18.2.9 In particular locations of the tank, where effective defect or crack development detection cannot be assured, the following, more stringent, fatigue acceptance criteria shall be applied as a minimum:

C_w shall be less than or equal to 0.1.

Predicted failure development time, from the assumed initial defect until reaching a critical state, shall not be less than three times the lifetime of the tank.

4.18.3 Accident design condition

4.18.3.1 The accident design condition is a design condition for accidental loads with extremely low probability of occurrence.

4.18.3.2 Analysis shall be based on the characteristic values as follows:

Permanent loads :	Expected values
Functional loads :	Specified values
Environmental loads:	Specified values
Accidental loads :	Specified values or expected values

4.18.3.3 Loads mentioned in 4.13.9 and 4.15 need not be combined with each other or with wave-induced loads.

PART D
MATERIALS AND CONSTRUCTION

4.19 Materials*Goal*

To ensure that the cargo containment system, primary and secondary barriers, the thermal insulation, adjacent ship structure and other materials in the cargo containment system are constructed from materials of suitable properties for the conditions they will experience, both in normal service and in the event of failure of the primary barrier, where applicable.

4.19.1 Materials forming ship structure

4.19.1.1 To determine the grade of plate and sections used in the hull structure, a temperature calculation shall be performed for all tank types when the cargo temperature is below -10°C. The following assumptions shall be made in this calculation:

- .1 the primary barrier of all tanks shall be assumed to be at the cargo temperature;
- .2 in addition to 4.19.1.1.1, where a complete or partial secondary barrier is required, it shall be assumed to be at the cargo temperature at atmospheric pressure for any one tank only;
- .3 for worldwide service, ambient temperatures shall be taken as 5°C for air and 0°C for seawater. Higher values may be accepted for ships operating in restricted areas and, conversely, lower values may be fixed by the Administration for ships trading to areas where lower temperatures are expected during the winter months;
- .4 still air and seawater conditions shall be assumed, i.e. no adjustment for forced convection;
- .5 degradation of the thermal insulation properties over the life of the ship due to factors such as thermal and mechanical ageing, compaction, ship motions and tank vibrations, as defined in 4.19.3.6 and 4.19.3.7, shall be assumed;
- .6 the cooling effect of the rising boil-off vapour from the leaked cargo shall be taken into account, where applicable;
- .7 credit for hull heating may be taken in accordance with 4.19.1.5, provided the heating arrangements are in compliance with 4.19.1.6;
- .8 no credit shall be given for any means of heating, except as described in 4.19.1.5; and
- .9 for members connecting inner and outer hulls, the mean temperature may be taken for determining the steel grade.

The ambient temperatures used in the design, described in this paragraph, shall be shown in appendix to class certificate and on the International Certificate of Fitness for the Carriage of Liquefied Gases in Bulk.

4.19.1.2 *The materials in the outer hull structure shall be in accordance with TL Rules Part A Chapter 1 Section 3, unless then calculated temperature of the material in the design condition (item 4.19.1) is below -5°C due to the effect of the low temperature cargo, in which case the material shall be in accordance with Table 6.5 assuming the ambient air and sea temperatures of 5°C and 0°C respectively.*

4.19.1.3 The materials of all other hull structures for which the calculated temperature in the design condition is below 0°C, due to the influence of cargo temperature and that do not form the secondary barrier, shall also be in accordance with table 6.5. This includes hull structure supporting the cargo tanks, inner bottom plating, longitudinal bulkhead plating, transverse bulkhead plating, floors, webs, stringers and all attached stiffening members.

4.19.1.4 The hull material forming the secondary barrier shall be in accordance with table 6.2. Where the secondary barrier is formed by the deck or side shell plating, the material grade required by table 6.2 shall be carried into the adjacent deck or side shell plating, where applicable, to a suitable extent.

4.19.1.5 Means of heating structural materials may be used to ensure that the material temperature does not fall below the minimum allowed for the grade of material specified in table 6.5. In the calculations required in 4.19.1.1, credit for such heating may be taken in accordance with the following:

- .1 for any transverse hull structure;
- .2 for longitudinal hull structure referred to in 4.19.1.2 and 4.19.1.3 where colder ambient temperatures are specified, provided the material remains suitable for the ambient temperature conditions of +5°C for air and 0°C for seawater with no credit taken in the calculations for heating; and
- .3 as an alternative to .2, for longitudinal bulkhead between cargo tanks, credit may be taken for heating, provided the material remain suitable for a minimum design temperature of -30°C, or a temperature 30°C lower than that determined by 4.19.1.1 with the heating considered, whichever is less. In this case, the ship's longitudinal strength shall comply with SOLAS regulation II-1/3-1 for both when those bulkhead(s) are considered effective and not.

Note: An additional risk assessment may be required by the Society.

4.19.1.6 The means of heating referred to in 4.19.1.5 shall comply with the following requirements:

- .1 the heating system shall be arranged so that, in the event of failure in any part of the system, standby heating can be maintained equal to not less than 100% of the theoretical heat requirement;
- .2 the heating system shall be considered as an essential auxiliary. All electrical components of at least one of the systems provided in accordance with 4.19.2.5.1 shall be supplied from the emergency source of electrical power; and
- .3 the design and construction of the heating system shall be included in the approval of the containment system by the Administration or recognized organization acting on its behalf.

4.19.2 Materials of primary and secondary barriers

4.19.2.1 Metallic materials used in the construction of primary and secondary barriers not forming the hull, shall be suitable for the design loads that they may be subjected to, and be in accordance with, table 6.1, 6.2 or 6.3.

4.19.2.2 Materials, either non-metallic or metallic but not covered by tables 6.1, 6.2 and 6.3, used in the primary and secondary barriers may be approved by the Administration or recognized organization acting on its behalf, considering the design loads that they may be subjected to, their properties and their intended use.

4.19.2.3 Where non-metallic materials, including composites, are used for, or incorporated in the primary or secondary barriers, they shall be tested for the following properties, as applicable, to ensure that they are adequate for the intended service:

- .1 compatibility with the cargoes;
- .2 ageing;
- .3 mechanical properties;
- .4 thermal expansion and contraction;
- .5 abrasion;
- .6 cohesion;
- .7 resistance to vibrations;
- .8 resistance to fire and flame spread; and
- .9 resistance to fatigue failure and crack propagation.

4.19.2.4 The above properties, where applicable, shall be tested for the range between the expected maximum temperature in service and +5°C below the minimum design temperature, but not lower than -196°C.

4.19.2.5.1 Where non-metallic materials, including composites, are used for the primary and secondary barriers, the joining processes shall also be tested as described above.

4.19.2.5.2 Guidance on the use of non-metallic materials in the construction of primary and secondary barriers is provided in appendix 4.

4.19.2.6 Consideration may be given to the use of materials in the primary and secondary barrier, which are not resistant to fire and flame spread, provided they are protected by a suitable system such as a permanent inert gas environment, or are provided with a fire-retardant barrier.

4.19.3 Thermal insulation and other materials used in cargo containment systems

4.19.3.1 Load-bearing thermal insulation and other materials used in cargo containment systems shall be suitable for the design loads.

4.19.3.2 Thermal insulation and other materials used in cargo containment systems shall have the following properties, as applicable, to ensure that they are adequate for the intended service:

- .1 compatibility with the cargoes;

- .2 solubility in the cargo;
- .3 absorption of the cargo;
- .4 shrinkage;
- .5 ageing;
- .6 closed cell content;
- .7 density;
- .8 mechanical properties, to the extent that they are subjected to cargo and other loading effects, thermal expansion and contraction;
- .9 abrasion;
- .10 cohesion;
- .11 thermal conductivity;
- .12 resistance to vibrations;
- .13 resistance to fire and flame spread; and
- .14 resistance to fatigue failure and crack propagation.

4.19.3.3 The above properties, where applicable, shall be tested for the range between the expected maximum temperature in service and 5°C below the minimum design temperature, but not lower than -196°C.

4.19.3.4 Due to location or environmental conditions, thermal insulation materials shall have suitable properties of resistance to fire and flame spread and shall be adequately protected against penetration of water vapour and mechanical damage. Where the thermal insulation is located on or above the exposed deck, and in way of tank cover penetrations, it shall have suitable fire resistance properties in accordance with recognized standards or be covered with a material having low flame-spread characteristics and forming an efficient approved vapour seal.

4.19.3.5 Thermal insulation that does not meet recognized standards for fire resistance may be used in hold spaces that are not kept permanently inerted, provided its surfaces are covered with material with low flame-spread characteristics and that forms an efficient approved vapour seal.

4.19.3.6 Testing for thermal conductivity of thermal insulation shall be carried out on suitably aged samples.

4.19.3.7 Where powder or granulated thermal insulation is used, measures shall be taken to reduce compaction in service and to maintain the required thermal conductivity and also prevent any undue increase of pressure on the cargo containment system.

4.20 Construction processes

Goal

To define suitable construction processes and test procedures in order to ensure, as far as reasonably practical, that the cargo containment system will perform satisfactorily in service in accordance with the assumptions made at the design stage.

4.20.1 Weld joint design

4.20.1.1 All welded joints of the shells of independent tanks shall be of the in-plane butt weld full penetration type. For dome-to-shell connections only, tee welds of the full penetration type may be used depending on the results of the tests carried out at the approval of the welding procedure. Except for small penetrations on domes, nozzle welds shall also be designed with full penetration.

4.20.1.2 Welding joint details for type C independent tanks, and for the liquid-tight primary barriers of type B independent tanks primarily constructed of curved surfaces, shall be as follows:

- .1 all longitudinal and circumferential joints shall be of butt welded, full penetration, double vee or single vee type. Full penetration butt welds shall be obtained by double welding or by the use of backing rings. If used, backing rings shall be removed except from very small process pressure vessels. Other edge preparations may be permitted, depending on the results of the tests carried out at the approval of the welding procedure; and
- .2 the bevel preparation of the joints between the tank body and domes and between domes and relevant fittings shall be designed according to a standard acceptable to the Administration or recognized organization acting on its behalf. All welds connecting nozzles, domes or other penetrations of the vessel and all welds connecting flanges to the vessel or nozzles shall be full penetration welds.

4.20.1.3 Where applicable, all the construction processes and testing, except that specified in 4.20.3, shall be done in accordance with the applicable provisions of Section 6.

4.20.2 Design for gluing and other joining processes

The design of the joint to be glued (or joined by some other process except welding) shall take account of the strength characteristics of the joining process.

4.20.3 Testing

4.20.3.1 All cargo tanks and process pressure vessels shall be subjected to hydrostatic or hydropneumatic pressure testing in accordance with 4.21 to 4.26, as applicable for the tank type.

4.20.3.2 All tanks shall be subject to a tightness test which may be performed in combination with the pressure test referred to in 4.20.3.1.

4.20.3.3 Requirements with respect to inspection of secondary barriers shall be decided by the Administration or recognized organization acting on its behalf in each case, taking into account the accessibility of the barrier (see 4.6.2).

4.20.3.4 The Administration may require that for ships fitted with novel type B independent tanks, or tanks designed according to 4.27 at least one prototype tank and its supporting structures shall be instrumented with strain gauges or

other suitable equipment to confirm stress levels. Similar instrumentation may be required for type C independent tanks, depending on their configuration and on the arrangement of their supports and attachments.

4.20.3.5 The overall performance of the cargo containment system shall be verified for compliance with the design parameters during the first full loading and discharging of the cargo, in accordance with the survey procedure and requirements in 1.4 and the requirements of the Administration or recognized organization acting on its behalf. Records of the performance of the components and equipment essential to verify the design parameters, shall be maintained and be available to the Administration (*see also IACS UI GC13 Rev1*).

4.20.3.6 Heating arrangements, if fitted in accordance with 4.19.1.5 and 4.19.1.6, shall be tested for required heat output and heat distribution.

4.20.3.7 The cargo containment system shall be inspected for cold spots during, or immediately following, the first loaded voyage. Inspection of the integrity of thermal insulation surfaces that cannot be visually checked shall be carried out in accordance with recognized standards (*see also IACS UI GC13 Rev1*).

4.20.4 Membrane containment testing requirements

Following testing apply:

4.20.4.1 *For membrane and semi-membrane tanks systems, inspection and testing are to be carried out in accordance with programmes specially prepared in accordance with an approved method for the actual tank system.*

4.20.4.2 *For membrane containment systems a tightness test of the primary and secondary barrier shall be carried out in accordance with the system designers' procedures and acceptance criteria as approved. Low differential pressure tests may be used for monitoring the cargo containment system performance, but are not considered an acceptable test for the tightness of the secondary barrier.*

4.20.4.3 *For membrane containment systems with glued secondary barriers if the designer's threshold values are exceeded, an investigation is to be carried out and additional testing such as thermographic or acoustic emissions testing should be carried out.*

4.20.4.4 *The values recorded should be used as reference for future assessment of secondary barrier tightness.*

4.20.4.5 *For containment systems with welded metallic secondary barriers, a tightness test after initial cool down is not required.*

Note: Also refer to Note given under item 4.6.3.4.

PART E TANK TYPES

4.21 Type A independent tanks

4.21.1 Design basis

Note: The hull design shall be carried out according to main class requirements given in Part A Chapter 1 Hull. In addition, the present rules for Liquefied Gas Carriers, this section give additional design requirements for Liquefied Gas Carriers with independent type A tanks.

4.21.1.1 Type A independent tanks are tanks primarily designed using classical ship-structural analysis procedures in accordance with Part A Chapter 1 Hull. Where such tanks are primarily constructed of plane surfaces, the design vapour pressure P_o shall be less than 0.07 MPa.

4.21.1.2 If the cargo temperature at atmospheric pressure is below -10°C , a complete secondary barrier shall be provided as required in 4.5. The secondary barrier shall be designed in accordance with 4.6.

4.21.2 Structural analysis

4.21.2.1 A structural analysis shall normally be performed taking into account the internal pressure as indicated in 4.13.2, and the interaction loads with the supporting and keying system as well as a reasonable part of the ship's hull.

4.21.2.2 For parts, such as supporting structures, not otherwise covered by the requirements of the Code, stresses shall be determined by direct calculations, taking into account the loads referred to in 4.12 to 4.15 as far as applicable, and the ship deflection in way of supporting structures.

4.21.2.3 The tanks with supports shall be designed for the accidental loads specified in 4.15. These loads need not be combined with each other or with environmental loads.

4.21.3 Ultimate design condition

4.21.3.1 For tanks primarily constructed of plane surfaces, the nominal membrane stresses for primary and secondary members (stiffeners, web frames, stringers, girders), when calculated by classical analysis procedures, shall not exceed the lower of $R_m / 2.66$ or $Re / 1.33$ for nickel steels, carbon-manganese steels, austenitic steels and aluminium alloys, where R_m and Re are defined in 4.18.1.3. However, if detailed calculations are carried out for the primary members, the equivalent stress σ_c , as defined in 4.18.1.4, may be increased over that indicated above to a stress acceptable to the Administration or recognized organization acting on its behalf. Calculations shall take into account the effects of bending, shear, axial and torsional deformation as well as the hull/cargo tank interaction forces due to the deflection of the double bottom and cargo tank bottoms.

4.21.3.2 Tank boundary scantlings shall meet at least the requirements of the Administration or recognized organization acting on its behalf for deep tanks taking into account the internal pressure as indicated in 4.13.2 and any corrosion allowance required by 4.3.5.

4.21.3.3 The cargo tank structure shall be reviewed against potential buckling.

4.21.4 Accident design condition

4.21.4.1 The tanks and the tank supports shall be designed for the accidental loads and design conditions specified in 4.3.4.3 and 4.15, as relevant.

4.21.4.2 When subjected to the accidental loads specified in 4.15, the stress shall comply with the acceptance criteria specified in 4.21.3, modified as appropriate, taking into account their lower probability of occurrence.

4.21.5 Testing

All type A independent tanks shall be subjected to a hydrostatic or hydropneumatic test. This test shall be performed such

that the stresses approximate, as far as practicable, the design stresses, and that the pressure at the top of the tank corresponds at least to the MARVS. When a hydropneumatic test is performed, the conditions shall simulate, as far as practicable, the design loading of the tank and of its support structure, including dynamic components, while avoiding stress levels that could cause permanent deformation.

4.22 Type B independent tanks

4.22.1 Design basis

Note: The hull design shall be carried out according to main class requirements given in Part A Chapter 1 Hull. In addition, the present rules for Liquefied Gas Carriers, this section give additional design requirements for Liquefied Gas Carriers with independent type B tanks.

4.22.1.1 Type B independent tanks are tanks designed using model tests, refined analytical tools and analysis methods to determine stress levels, fatigue life and crack propagation characteristics. Where such tanks are primarily constructed of plane surfaces (prismatic tanks), the design vapour pressure P_0 shall be less than 0.07 MPa.

4.22.1.2 If the cargo temperature at atmospheric pressure is below -10°C , a partial secondary barrier with a small leak protection system shall be provided as required in 4.5. The small leak protection system shall be designed according to 4.7.

The small leak protection system shall in general comprise a gas detection system, liquid containers to contain liquids, spray shields to deflect liquids into the containers, and equipment to dispose of the liquid as required.

This requires analyses and/or tests to document that the likelihood of massive leakages from the primary containment is reduced to an acceptable level, and to document the type and extent of potential leakages to be used for design and dimensioning the small leak protection system.

For design the specific cargo density is to be taken as the highest density for the actual gas composition to be carried at the planned trades.

4.22.2 Structural analysis

4.22.2.1 The effects of all dynamic and static loads shall be used to determine the suitability of the structure with respect to:

- .1 plastic deformation;
- .2 buckling;
- .3 fatigue failure; and
- .4 crack propagation.

Finite element analysis or similar methods and fracture mechanics analysis, or an equivalent approach, shall be carried out.

4.22.2.2 A three-dimensional analysis shall be carried out to evaluate the stress levels, including interaction with the ship's hull. The model for this analysis shall include the cargo tank with its supporting and keying system, as well as a reasonable part of the hull.

4.22.2.3 A complete analysis of the particular ship accelerations and motions in irregular waves, and of the response of the ship and its cargo tanks to these forces and motions shall be performed, unless the data is available from similar ships.

4.22.3 Ultimate design condition

4.22.3.1 Plastic deformation

4.22.3.1.1 For type B independent tanks, primarily constructed of bodies of revolution, the allowable stresses shall not exceed:

$$\begin{aligned}\sigma_m &\leq f \\ \sigma_L &\leq 1.5 f \\ \sigma_b &\leq 1.5 F \\ \sigma_L + \sigma_b &\leq 1.5 F\end{aligned}$$

$$\begin{aligned}\sigma_m + \sigma_b &\leq 1.5 F \\ \sigma_m + \sigma_b + \sigma_g &\leq 3.0 F \\ \sigma_L + \sigma_b + \sigma_g &\leq 3.0 F\end{aligned}$$

where:

σ_m = equivalent primary general membrane stress;

σ_L = equivalent primary local membrane stress;

σ_b = equivalent primary bending stress;

σ_g = equivalent secondary stress;

f = the lesser of (R_m / A) or (R_e / B); and

F = the lesser of (R_m / C) or (R_e / D),

with R_m and R_e as defined in 4.18.1.3. With regard to the stresses σ_m , σ_L , σ_b and σ_g , the definition of stress categories in 4.28.3 are referred. The values A and B shall be shown on the International Certificate of Fitness for the Carriage of Liquefied Gases in Bulk and shall have at least the following minimum values

	Nickel steels and carbon-manganese steels	Austenitic steels	Aluminium Alloys
A	3	3.5	4
B	2	1.6	1.5
C	3	3	3
D	1.5	1.5	1.5

The above figures may be altered, taking into account the design condition considered in acceptance with the Administration.

4.22.3.1.2 For type B independent tanks, primarily constructed of plane surfaces, the allowable membrane equivalent stresses applied for finite element analysis shall not exceed:

- .1 for nickel steels and carbon-manganese steels, the lesser of $R_m / 2$ or $Re / 1.2$;
- .2 for austenitic steels, the lesser of $R_m / 2.5$ or $Re / 1.2$; and
- .3 for aluminium alloys, the lesser of $R_m / 2.5$ or $Re / 1.2$.

The above figures may be amended, taking into account the locality of the stress, stress analysis methods and design condition considered in acceptance with the Administration.

4.22.3.1.3 The thickness of the skin plate and the size of the stiffener shall not be less than those required for type A independent tanks.

4.22.3.2 Buckling

Buckling strength analyses of cargo tanks subject to external pressure and other loads causing compressive stresses shall be carried out in accordance with recognized standards. The method shall adequately account for the difference in theoretical and actual buckling stress as a result of plate edge misalignment, lack of straightness or flatness, ovality and deviation from true circular form over a specified arc or chord length, as applicable.

4.22.4 Fatigue design condition

4.22.4.1 Fatigue and crack propagation assessment shall be performed in accordance with 4.18.2. The acceptance criteria shall comply with 4.18.2.7, 4.18.2.8 or 4.18.2.9, depending on the detectability of the defect

4.22.4.2 Fatigue analysis shall consider construction tolerances.

4.22.4.3 Where deemed necessary by the Administration, model tests may be required to determine stress concentration factors and fatigue life of structural elements.

4.22.5 Accident design condition

4.22.5.1 The tanks and the tank supports shall be designed for the accidental loads and design conditions specified in 4.3.4.3 and 4.15, as applicable.

4.22.5.2 When subjected to the accidental loads specified in 4.15, the stress shall comply with the acceptance criteria specified in 4.22.3, modified as appropriate, taking into account their lower probability of occurrence.

4.22.6 Testing

Type B independent tanks shall be subjected to a hydrostatic or hydropneumatic test as follows:

- .1 the test shall be performed as required in 4.21.5 for type A independent tanks; and

- .2 in addition, the maximum primary membrane stress or maximum bending stress in primary members under test conditions shall not exceed 90% of the yield strength of the material (as fabricated) at the test temperature. To ensure that this condition is satisfied, when calculations indicate that this stress exceeds 75% of the yield strength, the prototype test shall be monitored by the use of strain gauges or other suitable equipment.

4.22.7 Marking

Any marking of the pressure vessel shall be achieved by a method that does not cause unacceptable local stress raisers.

4.23 Type C independent tanks

4.23.1 Design basis

Note: The hull design shall be carried out according to main class requirements given in Part A Chapter 1 Hull. In addition, the present rules for Liquefied Gas Carriers, this section give additional design requirements for Liquefied Gas Carriers with independent type C tanks.

4.23.1.1 The design basis for type C independent tanks is based on pressure vessel criteria modified to include fracture mechanics and crack propagation criteria. The minimum design pressure defined in 4.23.1.2 is intended to ensure that the dynamic stress is sufficiently low, so that an initial surface flaw will not propagate more than half the thickness of the shell during the lifetime of the tank.

4.23.1.2 Type C independent tanks (also referred to as pressure vessels) are tanks meeting pressure vessel criteria and having a design vapour pressure not less than:

$$\text{where: } P_O = 0.2 + AC(\rho_r)^{1.5} \quad [\text{bar}]$$

$$A = 0.0185 \left(\frac{\sigma_m}{\Delta\sigma_A} \right)^2$$

with

σ_m = Design primary membrane stress

$\Delta\sigma_A$ = Allowable dynamic membrane stress (double amplitude at probability level $Q = 10^{-8}$)

$\Delta\sigma_A$ = 55 N/mm² for ferritic-perlitic, martensitic and austenitic steel

$\Delta\sigma_A$ = 25 N/mm² for aluminium alloy (5083-0)

C = A characteristic tank dimension to be taken as the greatest of the following:

h, 0.75b or 0.45ℓ

with

h = Height of tank (dimension in ship's vertical direction) (m)

b = Width of tank (dimension in ship's transverse direction) (m)

ℓ = Length of tank (dimension in ship's longitudinal direction) (m)

ρ_r = The relative density of the cargo ($\rho_r = 1$ for fresh water) at the design temperature.

When a specified design life of the tank is longer than 10^8 wave encounters, $\Delta\sigma_A$ shall be modified to give equivalent crack propagation corresponding to the design life.

4.23.1.3 The Administration may allocate a tank complying with the criteria of type C tank minimum design pressure as in 4.23.1.2, to a type A or type B, dependent on the configuration of the tank and the arrangement of its supports and attachments.

Note: If the carriage of products not covered by Section 19 is intended, the relative density of which exceeds 1.0, it is to be verified that the double amplitude of the primary membrane stress $\Delta\sigma_m$ created by the maximum dynamic pressure differential Δp does not exceed the allowable double amplitude of the dynamic membrane stress $\Delta\sigma_A$ as specified in 4.23.1.2,

i.e.:

$$\Delta\sigma_m \leq \Delta\sigma_A$$

The dynamic pressure differential Δp is to be calculated as follows:

$$\Delta p = \frac{\rho}{1.02 \times 10^4} [a_{\beta 1} \cdot z_{\beta 1} - a_{\beta 2} \cdot z_{\beta 2}] \text{ [bar]}$$

where $a_{\beta 1}$ and $z_{\beta 1}$ are the a_{β} - and z_{β} -values giving the maximum liquid pressure (P_{gd})_{max} as defined in 4.28.1, $a_{\beta 2}$ and $z_{\beta 2}$ are the a_{β} - and z_{β} -values giving the minimum liquid pressure, see Figure. 4.2. For ρ see 4.28.1.2.

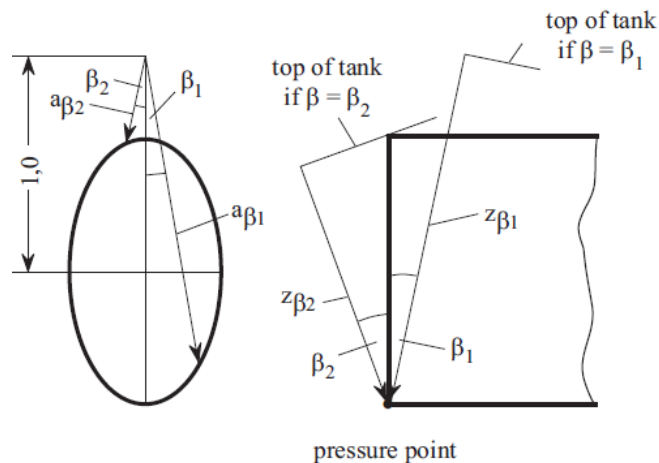


Figure 4.2 Determination of Δp

In order to evaluate the maximum pressure differential Δp , pressure differentials are to be evaluated over the full range of the acceleration ellipse.

4.23.2 Shell thickness

4.23.2.1 The shell thickness shall be as follows:

- .1 For pressure vessels, the thickness calculated according to 4.23.2.4 shall be considered as a minimum thickness after forming, without any negative tolerance.
- .2 For pressure vessels, the minimum thickness of shell and heads including corrosion allowance, after forming, shall not be less than 5 mm for carbon-manganese steels and nickel steels, 3 mm for austenitic steels or 7 mm for aluminium alloys.

The calculation procedure of pressure vessels is given in Chapter 4-Machinery- Section 14.

- .3 The welded joint efficiency factor to be used in the calculation according to 4.23.2.4 shall be 0.95 when the inspection and the non-destructive testing referred to in 6.5.6.5 are carried out. This figure may be increased up to 1 when account is taken of other considerations, such as the material used, type of joints, welding procedure and type of loading. For process pressure vessels, the Administration or recognized organization acting on its behalf may accept partial non-destructive examinations, but not less than those of 6.5.6.5, depending on such factors as the material used, the design temperature, the nil-ductility transition temperature of the material, as fabricated, and the type of joint and welding procedure, but in this case an efficiency factor of not more than 0.85 shall be adopted. For special materials, the above-mentioned factors shall be reduced, depending on the specified mechanical properties of the welded joint.

4.23.2.2 The design liquid pressure defined in 4.13.2 shall be taken into account in the internal pressure calculations.

4.23.2.3 The design external pressure P_e , used for verifying the buckling of the pressure vessels, shall not be less than that given by:

$$P_e = P_1 + P_2 + P_3 + P_4 \text{ (MPa),}$$

where:

- P_1 = setting value of vacuum relief valves. For vessels not fitted with vacuum relief valves, P_1 shall be specially considered, but shall not, in general, be taken as less than 0.025 MPa;
- P_2 = the set pressure of the pressure relief valves (PRVs) for completely closed spaces containing pressure vessels or parts of pressure vessels; elsewhere $P_2=0$;
- P_3 = compressive actions in or on the shell due to the weight and contraction of thermal insulation, weight of shell including corrosion allowance and other miscellaneous external pressure loads to which the pressure vessel may be subjected. These include, but are not limited to, weight of domes, weight of towers and piping, effect of product in the partially filled condition, accelerations and hull deflection. In addition, the local effect of external or internal pressures or both shall be taken into account; and
- P_4 = external pressure due to head of water for pressure vessels or part of pressure vessels on exposed decks; elsewhere $P_4 = 0$.

4.23.2.4 Scantlings based on internal pressure shall be calculated as follows: the thickness and form of pressure-containing parts of pressure vessels, under internal pressure, as defined in 4.13.2, including flanges, shall be determined. These calculations shall in all cases be based on accepted pressure vessel design theory. Openings in pressure-containing parts of pressure vessels shall be reinforced in accordance with recognized standards.

4.23.2.5 Stress analysis in respect of static and dynamic loads shall be performed as follows:

- .1 Pressure vessel scantlings shall be determined in accordance with 4.23.2.1 to 4.23.2.4 and 4.23.3.
- .2 Calculations of the loads and stresses in way of the supports and the shell attachment of the support shall be made. Loads referred to in 4.12 to 4.15 shall be used, as applicable. Stresses in way of the supporting structures shall be to a recognized standard acceptable to the Administration or recognized organization acting on its behalf. In special cases, a fatigue analysis may be required by the Administration or recognized organization acting on its behalf.
- .3 If required by the Administration or recognized organization acting on its behalf, secondary stresses and thermal stresses shall be specially considered.

4.23.3 Ultimate design condition

4.23.3.1 Plastic deformation

For type C independent tanks, the allowable stresses shall not exceed:

$$\begin{aligned} \sigma_m &\leq f \\ \sigma_L &\leq 1.5 f \\ \sigma_b &\leq 1.5 f \\ \sigma_L + \sigma_b &\leq 1.5 f \\ \sigma_m + \sigma_b &\leq 1.5 f \\ \sigma_m + \sigma_b + \sigma_g &\leq 3.0 f \\ \sigma_L + \sigma_b + \sigma_g &\leq 3.0 f \end{aligned}$$

where:

σ_m = equivalent primary general membrane stress;

σ_L = equivalent primary local membrane stress;

σ_b = equivalent primary bending stress;

σ_g = equivalent secondary stress;

f = the lesser of (R_m / A) or (R_e / B); and

with R_m and R_e as defined in 4.18.1.3. With regard to the stresses σ_m , σ_L , σ_b and σ_g , the definition of stress categories in 4.28.3 are referred. The values A and B shall be shown on the International Certificate of Fitness for the Carriage of Liquefied Gases in Bulk and shall have at least the following minimum values:

	Nickel steels and carbon-manganese steels	Austenitic steels	Aluminium Alloys
A	3	3.5	4
B	1.5	1.5	1.5

4.23.3.2 Buckling Criteria

Buckling criteria shall be as follows: the thickness and form of pressure vessels subject to external pressure and other loads causing compressive stresses shall be based on calculations using accepted pressure vessel buckling theory and shall adequately account for the difference in theoretical and actual buckling stress as a result of plate edge misalignment, ovality and deviation from true circular form over a specified arc or chord length.

4.23.3.3 Permissible stresses in way of supports

4.23.3.3.1 The equivalent stress in the stiffening rings in way of supports of type C-cargo tanks made of carbon manganese steel shall not exceed one of the following values:

$$\sigma_c = \sqrt{(\sigma_n + \sigma_b)^2 + 3\tau^2} \leq \sigma_a$$

σ_c = Equivalent stress (N/mm²)

σ_n = Normal stress due to normal forces (N/mm²)

σ_b = Bending stress (N/mm²)

τ = Shear stress (N/mm²)

σ_a = Allowable stress (N/mm²) to be taken as the smaller of the values: 0.57Rm or 0.85Re

Re, Rm see 4.18.1.3

Equivalent stress values σ_c should be calculated over the full extent of the stiffening ring for a sufficient number of load cases as defined in item 4.8.

4.23.3.3.2 Assumptions for stiffening rings

.1 The stiffening ring may be considered as a circumferential beam formed by web, face plate, doubler plate, if any, and associated shell plating. The effective width of the associated plating may be taken as:

- For cylindrical shells: on each side of the web

$$b_m = 0.78\sqrt{r \cdot t}$$

r = Mean radius of the cylindrical shell in [mm]

t = Shell thickness [mm].

A doubler plate, if any, may be included within that distance.

- For longitudinal bulkheads (in the case of lobe tanks): the effective width may be determined according to Chapter 1 – Hull-Section 3, B.5. The following value on each side of the web may be taken as a guidance value:

$$b_m = 20.t_b$$

t_b = Bulkhead thickness.

.2 The stiffening ring shall be loaded with circumferential forces, on each side of the ring, due to the shear stress, determined by the bi-dimensional shear flow theory from the shear forces of the tank.

4.23.3.3.2 If finite element calculation methods are applied, assumption for calculations is to be specially agreed with TL.

4.23.3.3.4 The buckling strength of the stiffening rings is to be examined in accordance with the requirements of Chapter 1 – Hull-Section 3, C

4.23.3.3.5 The following factors shall be taken into account:

- .1 Elasticity of support material (intermediate layer of wood or similar material)
- .2 Change in contact surface between tank and support for the different load cases, and of the relevant reactions, due to:
 - Thermal shrinkage of tank
 - Elastic deformations of tank and support material.

The final distribution of the reaction forces at the supports shall not show any tensile forces.

4.23.4 Fatigue design condition

For large type C independent tanks, where the cargo at atmospheric pressure is below -55°C, the Administration or recognized organization acting on its behalf may require additional verification to check their compliance with 4.23.1.1 regarding static and dynamic stress.

4.23.5 Accident design condition

4.23.5.1 The tanks and the tank supporting structures shall be designed for the accidental loads and design conditions specified in 4.3.4.3 and 4.15, as applicable.

4.23.5.2 When subjected to the accidental loads specified in 4.15, the stress shall comply with the acceptance criteria specified in 4.23.3.1, modified as appropriate taking into account their lower probability of occurrence.

4.23.6 Testing

4.23.6.1 Each pressure vessel, shall be subjected to a hydrostatic test at a pressure measured at the top of the tanks,

of not less than $1.5 P_o$. In no case during the pressure test shall the calculated primary membrane stress at any point exceed 90% of the yield stress of the material. To ensure that this condition is satisfied where calculations indicate that this stress will exceed 0.75 times the yield strength, the prototype test shall be monitored by the use of strain gauges or other suitable equipment in pressure vessels other than simple cylindrical and spherical pressure vessels.

4.23.6.2 The temperature of the water used for the test shall be at least 30°C above the nil-ductility transition temperature of the material, as fabricated.

4.23.6.3 The pressure shall be held for 2 h per 25 mm of thickness, but in no case less than 2 h.

4.23.6.4 Where necessary for cargo pressure vessels, a hydropneumatic test may be carried out under the conditions prescribed in 4.23.6.1 to 4.23.6.3.

4.23.6.5 Special consideration may be given to the testing of tanks in which higher allowable stresses are used, depending on service temperature. However, the requirements of 4.23.6.1 shall be fully complied with.

4.23.6.6 After completion and assembly, each pressure vessel and its related fittings shall be subjected to an adequate tightness test which may be performed in combination with the pressure testing referred to in 4.23.6.1.

4.23.6.7 Pneumatic testing of pressure vessels other than cargo tanks shall only be considered on an individual case basis. Such testing shall only be permitted for those vessels designed or supported such that they cannot be safely filled with water, or for those vessels that cannot be dried and are to be used in a service where traces of the testing medium cannot be tolerated.

4.23.7 Marking

The required marking of the pressure vessel shall be achieved by a method that does not cause unacceptable local stress raisers.

4.24 Membrane tanks

4.24.1 Design basis

Note: The hull design shall be carried out according to main class requirements given in Part A Chapter 1 Hull. In addition, the present rules for Liquefied Gas Carriers, this section give additional design requirements for Liquefied Gas Carriers with membrane tanks.

4.24.1.1 The design basis for membrane containment systems is that thermal and other expansion or contraction is compensated for without undue risk of losing the tightness of the membrane.

4.24.1.2 A systematic approach based on analysis and testing shall be used to demonstrate that the system will provide its intended function in consideration of the events identified in service as specified in 4.24.2.1

4.24.1.3 If the cargo temperature at atmospheric pressure is below -10°C, a complete secondary barrier shall be provided as required in 4.5. The secondary barrier shall be designed according to 4.6.

4.24.1.4 The design vapour pressure P_o shall not normally exceed 0.025 MPa. If the hull scantlings are increased accordingly and consideration is given, where appropriate, to the strength of the supporting thermal insulation, P_o may be increased to a higher value, but less than 0.07 MPa.

4.24.1.5 The definition of membrane tanks does not exclude designs such as those in which non-metallic membranes are used or where membranes are included or incorporated into the thermal insulation.

4.24.1.6 The thickness of the membranes shall not normally exceed 10 mm.

4.24.1.7 The circulation of inert gas throughout the primary insulation space and the secondary insulation space, in accordance with 9.2.1, shall be sufficient to allow for effective means of gas detection.

4.24.2 Design considerations

4.24.2.1 Potential incidents that could lead to loss of fluid tightness over the life of the membranes shall be evaluated. These include, but are not limited to:

.1 Ultimate design events:

- .1** tensile failure of membranes;
- .2** compressive collapse of thermal insulation;
- .3** thermal ageing;
- .4** loss of attachment between thermal insulation and hull structure;
- .5** loss of attachment of membranes to thermal insulation system;
- .6** structural integrity of internal structures and their supporting structures; and
- .7** failure of the supporting hull structure.

.2 Fatigue design events:

- .1** fatigue of membranes including joints and attachments to hull structure;
- .2** fatigue cracking of thermal insulation;
- .3** fatigue of internal structures and their supporting structures; and
- .4** fatigue cracking of inner hull leading to ballast water ingress.

.3 Accident design events:

- .1** accidental mechanical damage (such as dropped objects inside the tank while in service);
- .2** accidental overpressurization of thermal insulation spaces;

.3 accidental vacuum in the tank; and

.4 water ingress through the inner hull structure.

Designs where a single internal event could cause simultaneous or cascading failure of both membranes are unacceptable.

4.24.2.2 The necessary physical properties (mechanical, thermal, chemical, etc.) of the materials used in the construction of the cargo containment system shall be established during the design development in accordance with 4.24.1.2.

4.24.3 Loads and load combinations

Particular consideration shall be given to the possible loss of tank integrity due to either an overpressure in the interbarrier space, a possible vacuum in the cargo tank, the sloshing effects, hull vibration effects, or any combination of these events.

4.24.4 Structural analyses

4.24.4.1 Structural analyses and/or testing or the purpose of determining the ultimate strength and fatigue assessments of the cargo containment and associated structures, e.g. structures as defined in 4.9, shall be performed. The structural analysis shall provide the data required to assess each failure mode that has been identified as critical for the cargo containment system.

4.24.4.2 Structural analyses of the hull shall take into account the internal pressure as indicated in 4.13.2. Special attention shall be paid to deflections of the hull and their compatibility with the membrane and associated thermal insulation.

4.24.4.3 The analyses referred to in 4.24.4.1 and 4.24.4.2 and test referred to 4.24.4.3 shall be based on the particular motions, accelerations and response of ships and cargo containment systems.

4.24.5 Ultimate design condition

4.24.5.1 The structural resistance of every critical component, subsystem or assembly shall be established, in accordance with 4.24.1.2, for in-service conditions.

4.24.5.2 The choice of strength acceptance criteria for the failure modes of the cargo containment system, its attachments to the hull structure and internal tank structures, shall reflect the consequences associated with the considered mode of failure.

4.24.5.3 The inner hull scantlings shall meet the requirements for deep tanks, taking into account the internal pressure as indicated in 4.13.2 and the specified appropriate requirements for sloshing load as defined in 4.14.3.

4.24.6 Fatigue design condition

4.24.6.1 Fatigue analysis shall be carried out for structures inside the tank, i.e. pump towers, and for parts of membrane and pump tower attachments, where failure development cannot be reliably detected by continuous monitoring.

4.24.6.2 The fatigue calculations shall be carried out in accordance with 4.18.2, with relevant requirements depending on:

- .1 the significance of the structural components with respect to structural integrity; and
- .2 availability for inspection.

4.24.6.3 For structural elements for which it can be demonstrated by tests and/or analyses that a crack will not develop to cause simultaneous or cascading failure of both membranes, C_w shall be less than or equal to 0.5.

4.24.6.4 Structural elements subject to periodic inspection, and where an unattended fatigue crack can develop to cause simultaneous or cascading failure of both membranes, shall satisfy the fatigue and fracture mechanics requirements stated in 4.18.2.8.

4.24.6.5 Structural element not accessible for in-service inspection, and where a fatigue crack can develop without warning to cause simultaneous or cascading failure of both membranes, shall satisfy the fatigue and fracture mechanics requirements stated in 4.18.2.9.

4.24.7 Accident design condition

4.24.7.1 The containment system and the supporting hull structure shall be designed for the accidental loads specified in 4.15. These loads need not be combined with each other or with environmental loads.

4.24.7.2 Additional relevant accident scenarios shall be determined based on a risk analysis. Particular attention shall be paid to securing devices inside tanks.

4.24.8 Design development testing

4.24.8.1 The design development testing required in 4.24.1.2 shall include a series of analytical and physical models of both the primary and secondary barriers, including corners and joints, tested to verify that they will withstand the expected combined strains due to static, dynamic and thermal loads. This will culminate in the construction of a prototype-scaled model of the complete cargo containment system. Testing conditions considered in the analytical and physical models shall represent the most extreme service conditions the cargo containment system will be likely to encounter over its life. Proposed acceptance criteria for periodic testing of secondary barriers required in 4.6.2 may be based on the results of testing carried out on the prototype-scaled model.

4.24.8.2 The fatigue performance of the membrane materials and representative welded or bonded joints in the membranes shall be determined by tests. The ultimate strength and fatigue performance of arrangements for securing the thermal insulation system to the hull structure shall be determined by analyses or tests.

4.24.9 Testing

4.24.9.1 In ships fitted with membrane cargo containment systems, all tanks and other spaces that may normally contain liquid and are adjacent to the hull structure supporting the membrane, shall be hydrostatically tested. **4.24.9.2** All hold structures supporting the membrane shall be tested for tightness before installation of the cargo containment system.

4.24.9.2 All hold structures supporting the membrane shall be tested for tightness before installation of the cargo containment system.

4.24.9.3 Pipe tunnels and other compartments that do not normally contain liquid need not be hydrostatically tested.

4.25 Integral tanks

4.25.1 Design basis

Integral tanks that form a structural part of the hull and are affected by the loads that stress the adjacent hull structure shall comply with the following:

- .1 the design vapour pressure P_0 as defined in 4.1.2 shall not normally exceed 0.025 MPa. If the hull scantlings are increased accordingly, P_0 may be increased to a higher value, but less than 0.07 MPa;
- .2 integral tanks may be used for products, provided the boiling point of the cargo is not below -10°C . A lower temperature may be accepted by the Administration or recognized organization acting on its behalf subject to special consideration, but in such cases a complete secondary barrier shall be provided; and
- .3 products required by Section 19 to be carried in type 1G ships shall not be carried in integral tanks.

4.25.2 Structural analysis

The structural analysis of integral tanks shall be in accordance with TL Rules Part A Chapter 1 Hull Section 4 and recognized standards.

4.25.3 Ultimate design condition

4.25.3.1 The tank boundary scantlings shall meet the requirements for deep tanks, taking into account the internal pressure as indicated in 4.13.2.

4.25.3.2 For integral tanks, allowable stresses shall normally be those given for hull structure in the requirements of the Administration or recognized organization acting on its behalf.

4.25.4 Accident design condition

4.25.4.1 The tanks and the tank supports shall be designed for the accidental loads specified in 4.3.4.3 and 4.15, as relevant.

4.25.4.2 When subjected to the accidental loads specified in 4.15, the stress shall comply with the acceptance criteria specified in 4.25.3, modified as appropriate, taking into account their lower probability of occurrence.

4.25.5 Testing

All integral tanks shall be hydrostatically or hydropneumatically tested. The test shall be performed so that the stresses approximate, as far as practicable, to the design stresses and that the pressure at the top of the tank corresponds at least to the MARVS.

4.26 Semi-membrane tanks

4.26.1 Design basis

4.26.1.1 Semi-membrane tanks are non-self-supporting tanks when in the loaded condition and consist of a layer, parts of which are supported through thermal insulation by the adjacent hull structure, whereas the rounded parts of this layer connecting the above-mentioned supported parts are designed also to accommodate the thermal and other expansion or contraction.

4.26.1.2 The design vapour pressure P_0 shall not normally exceed 0.025 MPa. If the hull scantlings are increased accordingly, and consideration is given, where appropriate, to the strength of the supporting thermal insulation, P_0 may be increased to a higher value, but less than 0.07 MPa.

4.26.1.3 For semi-membrane tanks the relevant requirements in this section for independent tanks or for membrane tanks shall be applied as appropriate.

4.26.1.4 *Structural analysis shall be performed in accordance with the requirements for membrane tanks or independent tanks, as appropriate, taking into account the internal pressure as indicated in 1.3.2.*

4.26.1.5 In the case of semi-membrane tanks that comply in all respects with the requirements applicable to type B independent tanks, except for the manner of support, the Administration may, after special consideration, accept a partial secondary barrier.

PART F CARGO CONTAINMENT SYSTEMS OF NOVEL CONFIGURATION

4.27 Limit state design for novel concepts

4.27.1 Cargo containment systems that are of a novel configuration that cannot be designed using sections 4.21 to 4.26 shall be designed using this section and parts A and B of this section, and also parts C and D, as applicable. Cargo containment system design according to this section shall be based on the principles of limit state design which is an approach to structural design that can be applied to established design solutions as well as novel designs. This more generic approach maintains a level of safety similar to that achieved for known containment systems as designed using 4.21 to 4.26.

4.27.2.1 The limit state design is a systematic approach where each structural element is evaluated with respect to possible failure modes related to the design conditions identified in 4.3.4. A limit state can be defined as a condition beyond which the structure, or part of a structure, no longer satisfies the requirements.

4.27.2.2 For each failure mode, one or more limit states may be relevant. By consideration of all relevant limit states, the limit load for the structural element is found as the minimum limit load resulting from all the relevant limit states. The limit states are divided into the three following categories:

- .1 Ultimate limit states (ULS), which correspond to the maximum load-carrying capacity or, in some cases, to the maximum applicable strain or deformation; under intact (undamaged) conditions.
- .2 Fatigue limit states (FLS), which correspond to degradation due to the effect of time varying (cyclic) loading.

.3 Accident limit states (ALS), which concern the ability of the structure to resist accidental situations.

4.27.3 The procedure and relevant design parameters of the limit state design shall comply with the Standards for the Use of limit state methodologies in the design of cargo containment systems of novel configuration (LSD Standard), as set out in appendix 5.

PART G GUIDANCE

4.28 Guidance notes for Section 4

4.28.1 Guidance to detailed calculation of internal pressure for static design purpose

4.28.1.1 This section provides guidance for the calculation of the associated dynamic liquid pressure for the purpose of static design calculations. This pressure may be used for determining the internal pressure referred to in 4.13.2, where:

.1 $(P_{gd})_{max}$ is the associated liquid pressure determined using the maximum design accelerations.

.2 $(P_{gd \text{ site}})_{max}$ is the associated liquid pressure determined using site specific accelerations.

.3 P_{eq} should be the greater of P_{eq1} and P_{eq2} calculated as follows:

$$P_{eq1} = P_o + (P_{gd})_{max} \text{ (MPa)},$$

$$P_{eq2} = P_h + (P_{gd \text{ site}})_{max} \text{ (MPa)}.$$

4.28.1.2 The internal liquid pressures are those created by the resulting acceleration of the centre of gravity of the cargo due to the motions of the ship referred to in 4.14.1. The value of internal liquid pressure P_{gd} resulting from combined effects of gravity and dynamic accelerations should be calculated as follows:

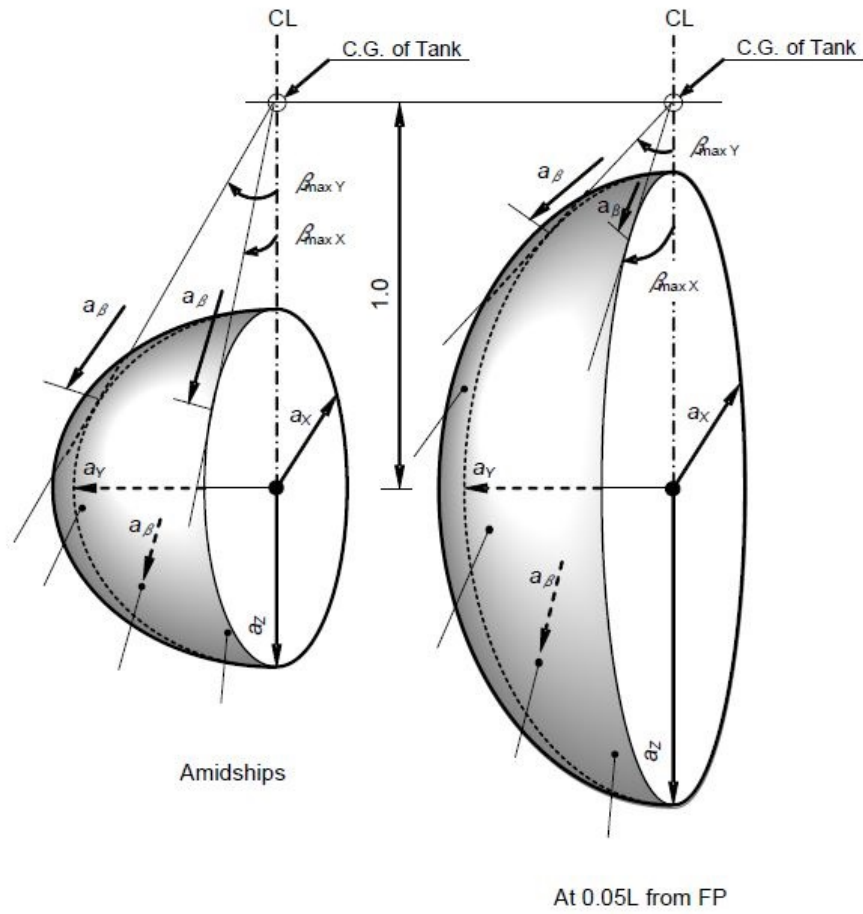
$$P_{gd} = a_{\beta} Z_{\beta} \frac{\rho}{1.02 \times 10^4} \text{ (MPa)},$$

where:

a_{β} = dimensionless acceleration (i.e. relative to the acceleration of gravity), resulting from gravitational and dynamic loads, in an arbitrary direction β (see figure 4.3).

For large tanks, an acceleration ellipsoid taking account of transverse vertical and longitudinal accelerations, should be used.

Z_{β} = largest liquid height (m) above the point where the pressure is to be determined measured from the tank shell in the β direction (see figure 4.4 and 4.5).



a_β = Resulting acceleration (static and dynamic) a_β in arbitrary direction β .

a_x = longitudinal component of acceleration

a_y = transverse component of acceleration

a_z = vertical component of acceleration

Figure 4.3 Acceleration ellipsoid

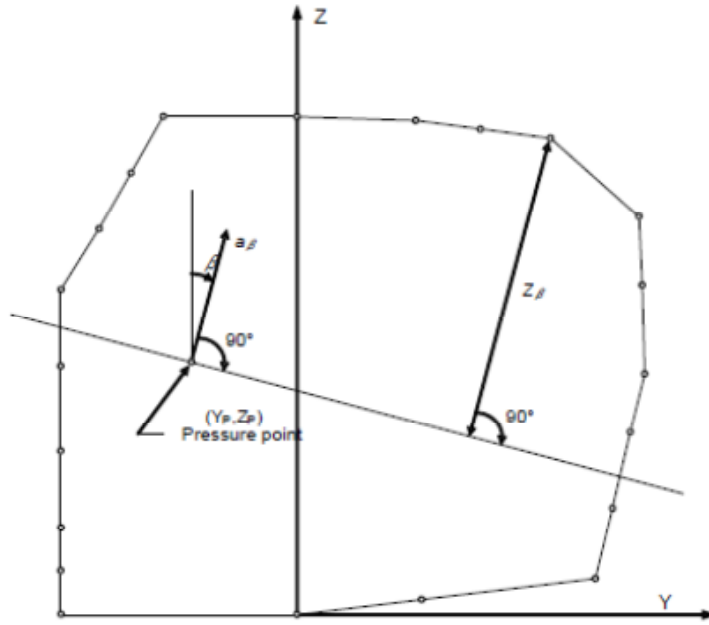


Figure 4.4 Determination of internal pressure heads

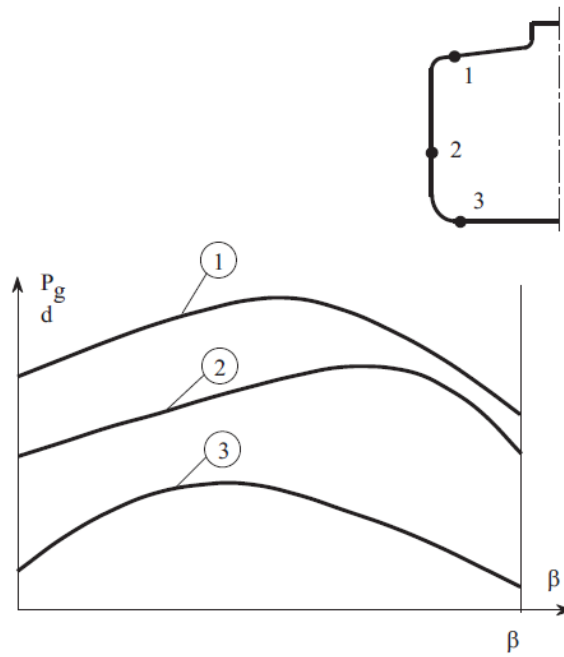


Figure 4.5a Determination of liquid heights z_{β} for the pressure points 1;2;3

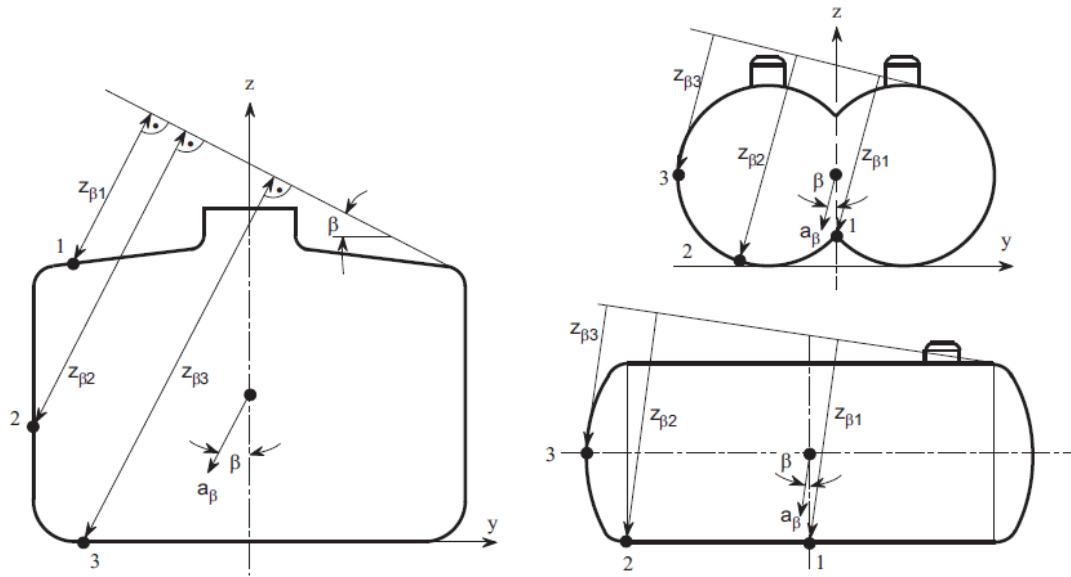


Figure 4.5b Determination of internal pressure for the pressure points 1;2;3

Tank domes considered to be part of the accepted total tank volume shall be taken into account when determining Z_{β} , unless the total volume of tank domes V_d does not exceed the following value:

$$V_d = V_t \left(\frac{100 - FL}{FL} \right)$$

V_t = tank volume without any domes; and

FL = filling limit according to Section 15.

ρ = maximum cargo density (kg/m^3) at the design temperature.

Guidance values for the density ρ are given in column (k) of the list of cargoes in Section 19.

The direction which gives the maximum value $(P_{gd})_{\max}$ of P_{gd} should be considered. The above formula applies only to full tanks.

4.28.1.3 Equivalent calculation procedures may be applied.

4.28.2 Guidance formulae for acceleration components

4.28.2.1 The following formulae are given as guidance for the components of acceleration due to ship's motions corresponding to a probability level of 10^{-8} in the North Atlantic and apply to ships with a length exceeding 50 m and at or near their service speed:

- vertical acceleration, as defined in 4.14.1

$$a_z = \pm a_0 \sqrt{1 + \left(5.3 - \frac{45}{L_0} \right)^2 \left(\frac{x}{L_0} + 0.05 \right)^2 \left(\frac{0.6}{C_B} \right)^{1.5} + \left(\frac{0.6 y K^{1.5}}{B} \right)^2}$$

- transverse acceleration as defined in 4.14.1

$$a_y = \pm a_0 \sqrt{0.6 + 2.5 \left(\frac{x}{L_0} + 0.05 \right)^2 + K \left(1 + 0.6K \frac{z}{B} \right)^2}$$

- longitudinal acceleration as defined in 4.14.1

$$a_x = \pm a_0 \sqrt{0.06 + A^2 - 0.25A}$$

where:

$$a_0 = 0.2 \frac{V}{\sqrt{L_0}} + \frac{34 - \left(\frac{600}{L_0} \right)}{L_0}$$

L_0 = length of the ship for determination of scantlings as defined in recognized standards (m)

C_B = block coefficient

B = greatest moulded breadth of the ship (m)

x = longitudinal distance (m) from amidships to the centre of gravity of the tank with contents; x is positive forward of amidships, negative aft of amidships

y = transverse distance (m) from centreline to the centre of gravity of the tank with contents;

z = vertical distance (m) from the ship's actual waterline to the centre of gravity of tank with contents; z is positive above and negative below the waterline.

K = 1 in general. For particular loading conditions and hull forms, determination of K according to the following formula may be necessary:

$K = 13GM/B$, where $K \geq 1$ and GM = metacentric height (m);

$$A = \left(0.7 - \frac{L_0}{1200} + 5 \frac{z}{L_0} \right) \left(\frac{0.6}{C_B} \right)$$

and

V = Service speed (knots)

a_x, a_y, a_z = maximum dimensionless accelerations (i.e. relative to the acceleration of gravity) in the respective directions. They are considered as acting separately for calculation purposes, and a_z does not include the component due to the static weight, a_y includes the component due to the static weight in the transverse direction due to rolling and a_x includes the component due to the static weight in the longitudinal direction due to pitching. The accelerations derived from the above formulae are applicable only to ships at or near their service speed, not while at anchor or otherwise near stationary in exposed locations.

4.28.3 Stress categories

4.28.3.1 For the purpose of stress evaluation, stress categories are defined in this section as follows.

4.28.3.2 Normal stress is the component of stress normal to the plane of reference.

4.28.3.3 Membrane stress is the component of normal stress that is uniformly distributed and equal to the average value of the stress across the thickness of the section under consideration.

4.28.3.4 Bending stress is the variable stress across the thickness of the section under consideration, after the subtraction of the membrane stress.

4.28.3.5 Shear stress is the component of the stress acting in the plane of reference.

4.28.3.6 Primary stress is a stress produced by the imposed loading, which is necessary to balance the external forces and moments. The basic characteristic of a primary stress is that it is not self-limiting. Primary stresses that considerably exceed the yield strength will result in failure or at least in gross deformations.

4.28.3.7 Primary general membrane stress is a primary membrane stress that is so distributed in the structure that no redistribution of load occurs as a result of yielding.

4.28.3.8 Primary local membrane stress arises where a membrane stress produced by pressure or other mechanical loading and associated with a primary or a discontinuity effect produces excessive distortion in the transfer of loads for other portions of the structure. Such a stress is classified as a primary local membrane stress, although it has some characteristics of a secondary stress. A stress region may be considered as local, if:

$$S_1 \leq 0.5\sqrt{Rt} \quad \text{and}$$

$$S_2 \geq 2.5\sqrt{Rt}$$

where:

S_1 = distance in the meridional direction over which the equivalent stress exceeds 1.1 f

S_2 = distance in the meridional direction to another region where the limits for primary general membrane stress are exceeded

R = mean radius of the vessel

t = wall thickness of the vessel at the location where the primary general membrane stress limit is exceeded

f = allowable primary general membrane stress.

4.28.3.9 Secondary stress is a normal stress or shear stress developed by constraints of adjacent parts or by self-constraint of a structure. The basic characteristic of a secondary stress is that it is self-limiting. Local yielding and minor distortions can satisfy the conditions that cause the stress to occur.

SECTION 5

PROCESS PRESSURE VESSELS AND LIQUID, VAPOUR AND PRESSURE PIPING SYSTEMS

	Page
5.1 GENERAL	5- 2
5.2 SYSTEM REQUIREMENTS	5- 2
5.3 ARRANGEMENTS FOR CARGO PIPING OUTSIDE THE CARGO AREA	5- 3
5.4 DESIGN PRESSURE	5- 4
5.5 CARGO SYSTEM VALVE REQUIREMENTS.....	5- 5
5.6 CARGO TRANSFER ARRANGEMENTS	5- 6
5.7 INSTALLATION REQUIREMENTS	5- 7
5.8 PIPING FABRICATION AND JOINING DETAILS	5- 8
5.9 WELDING, POST-WELD HEAT TREATMENT AND NON-DESTRUCTIVE TESTING.....	5- 9
5.10 INSTALLATION REQUIREMENTS FOR CARGO PIPING OUTSIDE THE CARGO AREA	5- 9
5.11 PIPING SYSTEM COMPONENT REQUIREMENTS	5-10
5.12 MATERIALS	5-13
5.13 TESTING REQUIREMENTS	5-13

Goal

To ensure the safe handling of all cargo and process liquid and vapour, under all operating conditions, to minimize the risk to the ship, crew and to the environment, having regard to the nature of the products involved. This will:

- .1 ensure the integrity of process pressure vessels, piping systems and cargo hoses;*
- .2 prevent the uncontrolled transfer of cargo;*
- .3 ensure reliable means to fill and empty the containment systems; and*
- .4 prevent pressure or vacuum excursions of cargo containment systems, beyond design parameters, during cargo transfer operations.*

5.1 General

With regard to this Section, reference is made to the Unified Requirement G3 of the International Association of Classification Societies (IACS). Process pressure vessels and piping systems are to comply also with the relevant Rules of Chapter 4 – Machinery, Section 14 and 16.

5.1.1 The requirements of this section shall apply to products and process piping, including vapour piping, gas fuel piping and vent lines of safety valves or similar piping. Auxiliary piping systems not containing cargo are exempt from the general requirements of this section.

5.1.2 The requirements for type C independent tanks provided in Section 4 may also apply to process pressure vessels. If so required, the term "pressure vessels" as used in Section 4, covers both type C independent tanks and process pressure vessels

5.1.3 Process pressure vessels include surge tanks, heat exchangers and accumulators that store or treat liquid or vapour cargo.

5.2 System requirements

5.2.1 The cargo handling and cargo control systems shall be designed taking into account the following:

- .1** prevention of an abnormal condition escalating to a release of liquid or vapour cargo;
- .2** the safe collection and disposal of cargo fluids released;
- .3** prevention of the formation of flammable mixtures;
- .4** prevention of ignition of flammable liquids or gases and vapours released; and
- .5** limiting the exposure of personnel to fire and other hazards.

5.2.2 Arrangements: general

5.2.2.1 Any piping system that may contain cargo liquid or vapour shall:

- .1** be segregated from other piping systems, except where interconnections are required for cargo-related

operations such as purging, gas-freeing or inerting. The requirements of 9.4.4 shall be taken into account with regard to preventing back-flow of cargo. In such cases, precautions shall be taken to ensure that cargo or cargo vapour cannot enter other piping systems through the interconnections;

- .2 except as provided in Section 16, not pass through any accommodation space, service space or control station or through a machinery space other than a cargo machinery space;
- .3 be connected to the cargo containment system directly from the weather decks except where pipes installed in a vertical trunkway or equivalent are used to traverse void spaces above a cargo containment system and except where pipes for drainage, venting or purging traverse cofferdams;
- .4 be located in the cargo area above the weather deck except for bow or stern loading and unloading arrangements in accordance with 3.8, emergency cargo jettisoning piping systems in accordance with 5.3.1, turret compartment systems in accordance with 5.3.3 and except in accordance with Section 16; and
- .5 be located inboard of the transverse tank location requirements of 2.4.1, except for athwartship shore connection piping not subject to internal pressure at sea or emergency cargo jettisoning piping systems.

5.2.2.2 Suitable means shall be provided to relieve the pressure and remove liquid cargo from loading and discharging crossover headers; likewise, any piping between the outermost manifold valves and loading arms or cargo hoses to the cargo tanks, or other suitable location, prior to disconnection.

5.2.2.3 Piping systems carrying fluids for direct heating or cooling of cargo shall not be led outside the cargo area unless a suitable means is provided to prevent or detect the migration of cargo vapour outside the cargo area (see 13.6.2.6).

5.2.2.4 Relief valves discharging liquid cargo from the piping system shall discharge into the cargo tanks. Alternatively, they may discharge to the cargo vent mast, if means are provided to detect and dispose of any liquid cargo that may flow into the vent system. Where required to prevent overpressure in downstream piping, relief valves on cargo pumps shall discharge to the pump suction.

5.3 Arrangements for cargo piping outside the cargo area

5.3.1 Emergency cargo jettisoning

If fitted, an emergency cargo jettisoning piping system shall comply with 5.2.2, as appropriate, and may be led aft, external to accommodation spaces, service spaces or control stations or machinery spaces, but shall not pass through them. If an emergency cargo jettisoning piping system is permanently installed, a suitable means of isolating the piping system from the cargo piping shall be provided within the cargo area.

5.3.2 Bow and stern loading arrangements

5.3.2.1 Subject to the requirements of 3.8, this section and 5.10.1, cargo piping may be arranged to permit bow or stern loading and unloading.

5.3.2.2 Arrangements shall be made to allow such piping to be purged and gas-freed after use. When not in use, the spool pieces shall be removed and the pipe ends blank-flanged. The vent pipes connected with the purge shall be located in the cargo area.

5.3.3 Turret compartment transfer systems

For the transfer of liquid or vapour cargo through an internal turret arrangement located outside the cargo area, the piping serving this purpose shall comply with 5.2.2, as applicable, 5.10.2 and the following:

- .1 piping shall be located above the weather deck, except for the connection to the turret;
- .2 portable arrangements shall not be permitted; and
- .3 arrangements shall be made to allow such piping to be purged and gas-freed after use. When not in use, the spool pieces for isolation from the cargo piping shall be removed and the pipe ends blank-flanged. The vent pipes connected with the purge shall be located in the cargo area.

5.3.4 Gas fuel piping systems

Gas fuel piping in machinery spaces shall comply with all applicable sections of this section in addition to the requirements of Section 16.

5.4 Design pressure

5.4.1 The design pressure P_o , used to determine minimum scantlings of piping and piping system components, shall be not less than the maximum gauge pressure to which the system may be subjected in service. The minimum design pressure used shall not be less than 1 MPa gauge, except for open-ended lines or pressure relief valve discharge lines, where it shall be not less than the lower of 0.5 MPa gauge, or 10 times the relief valve set pressure.

5.4.2 The greater of the following design conditions shall be used for piping, piping systems and components, based on the cargoes being carried:

- .1 for vapour piping systems or components that may be separated from their relief valves and which may contain some liquid, the saturated vapour pressure at a design temperature of 45°C. Higher or lower values may be used (see 4.13.2.2); or
- .2 for systems or components that may be separated from their relief valves and which contain only vapour at all times, the superheated vapour pressure at 45°C. Higher or lower values may be used (see 4.13.2.2), assuming an initial condition of saturated vapour in the system at the system operating pressure and temperature; or
- .3 the MARVS of the cargo tanks and cargo processing systems; or
- .4 the pressure setting of the associated pump or compressor discharge relief valve; or
- .5 the maximum total discharge or loading head of the cargo piping system considering all possible pumping arrangements or the relief valve setting on a pipeline system.

5.4.3 Those parts of the liquid piping systems that may be subjected to surge pressures shall be designed to withstand this pressure.

5.4.4 The design pressure of the outer pipe or duct of gas fuel systems shall not be less than the maximum working pressure of the inner gas pipe. Alternatively, for gas fuel piping systems with a working pressure greater than 1 MPa, the design pressure of the outer duct shall not be less than the maximum built-up pressure arising in the annular space considering the local instantaneous peak pressure in way of any rupture and the ventilation arrangements.

5.5 Cargo system valve requirements

5.5.1.1 Every cargo tank and piping system shall be fitted with manually operated valves for isolation purposes as specified in this section.

5.5.1.2 In addition, remotely operated valves shall also be fitted, as appropriate, as part of the emergency shutdown (ESD) system the purpose of which is to stop cargo flow or leakage in the event of an emergency when cargo liquid or vapour transfer is in progress. The ESD system is intended to return the cargo system to a safe static condition so that any remedial action can be taken. Due regard shall be given in the design of the ESD system to avoid the generation of surge pressures within the cargo transfer pipework. The equipment to be shut down on ESD activation includes manifold valves during loading or discharge, any pump or compressor, etc., transferring cargo internally or externally (e.g. to shore or another ship/barge) and cargo tank valves, if the MARVS exceeds 0.07 MPa.

5.5.2 Cargo tank connections

5.5.2.1 All liquid and vapour connections, except for safety relief valves and liquid level gauging devices, shall have shutoff valves located as close to the tank as practicable. These valves shall provide full closure and shall be capable of local manual operation. They may also be capable of remote operation.

5.5.2.2 For cargo tanks with a MARVS exceeding 0.07 MPa gauge, the above connections shall also be equipped with remotely controlled ESD valves. These valves shall be located as close to the tank as practicable. A single valve may be substituted for the two separate valves, provided the valve complies with the requirements of 18.10.2 and provides full closure of the line.

5.5.3 Cargo manifold connections

5.5.3.1 One remotely controlled ESD valve shall be provided at each cargo transfer connection in use to stop liquid and vapour transfer to or from the ship. Transfer connections not in use shall be isolated with suitable blank flanges.

5.5.3.2 If the cargo tank MARVS exceeds 0.07 MPa, an additional manual valve shall be provided for each transfer connection in use, and may be inboard or outboard of the ESD valve to suit the ship's design.

5.5.4 Excess flow valves may be used in lieu of ESD valves, if the diameter of the protected pipe does not exceed 50 mm. Excess flow valves shall close automatically at the rated closing flow of vapour or liquid as specified by the manufacturer. The piping including fittings, valves and appurtenances protected by an excess flow valve shall have a capacity greater than the rated closing flow of the excess flow valve. Excess flow valves may be designed with a bypass not exceeding the area of a 1 mm diameter circular opening to allow equalization of pressure after a shutdown activation.

5.5.5 Cargo tank connections for gauging or measuring devices need not be equipped with excess flow valves or ESD valves, provided that the devices are constructed so that the outward flow of tank contents cannot exceed that passed by a 1.5 mm diameter circular hole.

The requirements of 5.5.5, providing relaxations for cargo tanks MARVS exceeding 0.7 bar gauge referred to in 5.5.1.2 (type C cargo tanks), do not apply to cargo tank connections for gauging or measuring devices of cargo tanks with a MARVS not exceeding 0.7 bar gauge referred to in 5.5.1.2.

5.5.6 All pipelines or components which may be isolated in a liquid full condition shall be protected with relief valves for thermal expansion and evaporation.

Pipe lines capable of being isolated, and the volume of which does not exceed 0.05 m³, need not be provided with relief valves.

5.5.7 All pipelines or components which may be isolated automatically due to a fire with a liquid volume of more than 0.05 m³ entrapped shall be provided with PRVs sized for a fire condition.

5.6 Cargo transfer arrangements

5.6.1 Where cargo transfer is by means of cargo pumps that are not accessible for repair with the tanks in service, at least two separate means shall be provided to transfer cargo from each cargo tank, and the design shall be such that failure of one cargo pump or means of transfer will not prevent the cargo transfer by another pump or pumps, or other cargo transfer means.

5.6.2 The procedure for transfer of cargo by gas pressurization shall preclude lifting of the relief valves during such transfer. Gas pressurization may be accepted as a means of transfer of cargo for those tanks where the design factor of safety is not reduced under the conditions prevailing during the cargo transfer operation. If the cargo tank relief valves or set pressure are changed for this purpose, as it is permitted in accordance with 8.2.7 and 8.2.8, the new set pressure shall not exceed P_h as is defined in 4.13.2.

5.6.3 Vapour return connections

Connections for vapour return to the shore installations shall be provided.

5.6.4 Cargo tank vent piping systems

The pressure relief system shall be connected to a vent piping system designed to minimize the possibility of cargo vapour accumulating on the decks, or entering accommodation spaces, service spaces, control stations and machinery spaces, or other spaces where it may create a dangerous condition.

5.6.5 Cargo sampling connections

5.6.5.1 Connections to cargo piping systems for taking cargo liquid samples shall be clearly marked and shall be designed to minimize the release of cargo vapours. For vessels permitted to carry toxic products, the sampling system shall be of a closed loop design to ensure that cargo liquid and vapour are not vented to atmosphere.

5.6.5.2 Liquid sampling systems shall be provided with two valves on the sample inlet. One of these valves shall be of the multi-turn type to avoid accidental opening, and shall be spaced far enough apart to ensure that they can isolate the line if there is blockage, by ice or hydrates for example.

5.6.5.3 On closed loop systems, the valves on the return pipe shall also comply with 5.6.5.2.

5.6.5.4 The connection to the sample container shall comply with recognized standards and be supported so as to be able to support the weight of a sample container. Threaded connections shall be tack-welded, or otherwise locked, to prevent them being unscrewed during the normal connection and disconnection of sample containers. The sample connection shall be fitted with a closure plug or flange to prevent any leakage when the connection is not in use.

5.6.5.5 Sample connections used only for vapour samples may be fitted with a single valve in accordance with 5.5, 5.8 and 5.13, and shall also be fitted with a closure plug or flange.

5.6.5.6 Sampling operations shall be undertaken as prescribed in 18.9.

5.6.6 Cargo filters

The cargo liquid and vapour systems shall be capable of being fitted with filters to protect against damage by extraneous objects. Such filters may be permanent or temporary, and the standards of filtration shall be appropriate to the risk of debris, etc., entering the cargo system. Means shall be provided to indicate that filters are becoming blocked, and to isolate, depressurize and clean the filters safely.

5.7 Installation requirements

5.7.1 Design for expansion and contraction

Provision shall be made to protect the piping, piping system and components and cargo tanks from excessive stresses due to thermal movement and from movements of the tank and hull structure. The preferred method outside the cargo tanks is by means of offsets, bends or loops, but multi-layer bellows may be used if offsets, bends or loops are not practicable.

5.7.2 Precautions against low temperature

Low temperature piping shall be thermally isolated from the adjacent hull structure, where necessary, to prevent the temperature of the hull from falling below the design temperature of the hull material. Where liquid piping is dismantled regularly, or where liquid leakage may be anticipated, such as at shore connections and at pump seals, protection for the hull beneath shall be provided.

5.7.3 Water curtain

For cargo temperatures below -110°C , a water distribution system shall be fitted in way of the hull under the shore connections to provide a low-pressure water curtain for additional protection of the hull steel and the ship's side structure. This system is in addition to the requirements of 11.3.1.4, and shall be operated when cargo transfer is in progress.

5.7.4 Bonding

Where tanks or cargo piping and piping equipment are separated from the ship's structure by thermal isolation, provision shall be made for electrically bonding both the piping and the tanks. All gasketed pipe joints and hose connections shall be electrically bonded. Except where bonding straps are used, it shall be demonstrated that the electrical resistance of each joint or connection is less than $1\text{M}\Omega$.

5.8 Piping fabrication and joining details

5.8.1 General

The requirements of this section apply to piping inside and outside the cargo tanks. Relaxation from these requirements may be accepted, in accordance with recognized standards for piping inside cargo tanks and open-ended piping.

5.8.2 Direct connections

The following direct connection of pipe lengths, without flanges, may be considered:

- .1 butt-welded joints with complete penetration at the root may be used in all applications. For design temperatures colder than -10°C , butt welds shall be either double welded or equivalent to a double welded butt joint. This may be accomplished by use of a backing ring, consumable insert or inert gas backup on the first pass. For design pressures in excess of 1 MPa and design temperatures of -10°C or colder, backing rings shall be removed;
- .2 slip-on welded joints with sleeves and related welding, having dimensions in accordance with recognized standards, shall only be used for instrument lines and open-ended lines with an external diameter of 50 mm or less and design temperatures not colder than -55°C ; and
- .3 screwed couplings complying with recognized standards shall only be used for accessory lines and instrumentation lines with external diameters of 25 mm or less.

5.8.3 Flanged connections

5.8.3.1 Flanges in flanged connections shall be of the welded neck, slip-on or socket welded type.

5.8.3.2 Flanges shall comply with recognized standards for their type, manufacture and test. For all piping, except open ended, the following restrictions apply:

- .1 for design temperatures colder than -55°C , only welded-neck flanges shall be used; and
- .2 for design temperatures colder than -10°C , slip-on flanges shall not be used in nominal sizes above 100 mm and socket welded flanges shall not be used in nominal sizes above 50 mm.

5.8.4 Expansion joints

Where bellows and expansion joints are provided in accordance with 5.7.1, the following requirements apply:

- .1 if necessary, bellows shall be protected against icing; and
- .2 slip joints shall not be used except within the cargo tanks.

5.8.5 Other connections

Piping connections shall be joined in accordance with 5.8.2 to 5.8.4, but for other exceptional cases the Administration may consider alternative arrangements.

5.9 Welding, post-weld heat treatment and non-destructive testing

5.9.1 General

Welding shall be carried out in accordance with 6.5.

5.9.2 Post-weld heat treatment

Post-weld heat treatment shall be required for all butt welds of pipes made with carbon, carbon-manganese and low alloy steels. The Administration or recognized organization acting on its behalf may waive the requirements for thermal stress relieving of pipes with wall thickness less than 10 mm in relation to the design temperature and pressure of the piping system concerned.

5.9.3 Non-destructive testing

In addition to normal controls before and during the welding, and to the visual inspection of the finished welds, as necessary for proving that the welding has been carried out correctly and according to the requirements of this paragraph, the following tests shall be required:

- .1 100% radiographic or ultrasonic inspection of butt-welded joints for piping systems with design temperatures colder than -10°C , or with inside diameters of more than 75 mm, or wall thicknesses greater than 10 mm;
- .2 when such butt-welded joints of piping sections are made by automatic welding procedures approved by the Administration or recognized organization acting on its behalf, then a progressive reduction in the extent of radiographic or ultrasonic inspection can be agreed, but in no case to less than 10% of each joint. If defects are revealed, the extent of examination shall be increased to 100% and shall include inspection of previously accepted welds. This approval can only be granted if well-documented quality assurance procedures and records are available to assess the ability of the manufacturer to produce satisfactory welds consistently; and
- .3 for other butt-welded joints of pipes not covered by 5.9.3.1 and 5.9.3.2, spot radiographic or ultrasonic inspection or other non-destructive tests shall be carried out depending upon service, position and materials. In general, at least 10% of butt-welded joints of pipes shall be subjected to radiographic or ultrasonic inspection

5.10 Installation requirements for cargo piping outside the cargo area

5.10.1 Bow and stern loading arrangements

The following requirements shall apply to cargo piping and related piping equipment located outside the cargo area:

- .1 cargo piping and related piping equipment outside the cargo area shall have only welded connections. The piping outside the cargo area shall run on the weather decks and shall be at least 0.8 m inboard, except for athwartships shore connection piping. Such piping shall be clearly identified and fitted with a shutoff valve at its connection to the cargo piping system within the cargo area. At this location, it shall also be capable of being separated by means of a removable spool piece and blank flanges, when not in use; and
- .2 the piping shall be full penetration butt-welded and subjected to full radiographic or ultrasonic inspection, regardless of pipe diameter and design temperature. Flange connections in the piping shall only be permitted within the cargo area and at the shore connection.

5.10.2 Turret compartment transfer systems

The following requirements shall apply to liquid and vapour cargo piping where it is run outside the cargo area:

- .1 cargo piping and related piping equipment outside the cargo area shall have only welded connections; and
- .2 the piping shall be full penetration butt-welded, and subjected to full radiographic or ultrasonic inspection, regardless of pipe diameter and design temperature. Flange connections in the piping shall only be permitted within the cargo area and at connections to cargo hoses and the turret connection.

5.10.3 Gas fuel piping

Gas fuel piping, as far as practicable, shall have welded joints. Those parts of the gas fuel piping that are not enclosed in a ventilated pipe or duct according to 16.4.3, and are on the weather decks outside the cargo area, shall have full penetration butt-welded joints and shall be subjected to full radiographic or ultrasonic inspection.

5.11 Piping system component requirements

5.11.1 Piping scantlings. Piping systems shall be designed in accordance with recognized standards.

5.11.2.1 The following criteria shall be used for determining pipe wall thickness.

5.11.2.2 The wall thickness of pipes shall not be less than:

$$t = \frac{t_0 + b + c}{1 - \frac{a}{100}} [\text{mm}]$$

where:

t_0 = theoretical thickness, determined by the following formula:

$$t_0 = \frac{P \cdot D}{2K \cdot e + P} [\text{mm}]$$

with:

P = design pressure (MPa) referred to in 5.4

D = outside diameter (mm)

K = allowable stress (N/mm^2) referred to in 5.11.4

- e = efficiency factor equal to 1 for seamless pipes and for longitudinally or spirally welded pipes, delivered by approved manufacturers of welded pipes, that are considered equivalent to seamless pipes when non-destructive testing on welds is carried out in accordance with recognized standards. In other cases, an efficiency factor of less than 1, in accordance with recognized standards, may be required, depending on the manufacturing process;
- b = allowance for bending (mm). The value of b shall be chosen so that the calculated stress in the bend, due to internal pressure only, does not exceed the allowable stress. Where such justification is not given, b shall be:

$$b = \frac{D \cdot t_0}{2.5r} \text{ (mm)}$$

with:

- r = mean radius of the bend (mm);
- c = corrosion allowance (mm). If corrosion or erosion is expected, the wall thickness of the piping shall be increased over that required by other design requirements. This allowance shall be consistent with the expected life of the piping; and
- a = negative manufacturing tolerance for thickness (%).

5.11.2.3 The minimum wall thickness shall be in accordance with recognized standards.

5.11.2.4 Where necessary for mechanical strength to prevent damage, collapse, excessive sag or buckling of pipes due to superimposed loads, the wall thickness shall be increased over that required by 5.11.2.2 or, if this is impracticable or would cause excessive local stresses, these loads may be reduced, protected against or eliminated by other design methods. Such superimposed loads may be due to: supporting structures, ship deflections, liquid pressure surge during transfer operations, the weight of suspended valves, reaction to loading arm connections, or otherwise.

5.11.3 Allowable stress

5.11.3.1 For pipes, the allowable stress K referred to in the formula in 5.11.2 is the lower of the following values:

$$\frac{R_m}{A} \text{ or } \frac{R_e}{B}$$

where:

- R_m = specified minimum tensile strength at room temperature (N/mm²); and
- R_e = specified minimum yield stress at room temperature (N/mm²). If the stress-strain curve does not show a defined yield stress, the 0.2% proof stress applies.

The values of A and B shall be shown on the International Certificate of Fitness for the Carriage of Liquefied Gases in Bulk required in 1.4.4, and have values of at least A = 2.7 and B = 1.8.

5.11.4 High-pressure gas fuel outer pipes or ducting scantlings

In fuel gas piping systems of design pressure greater than the critical pressure, the tangential membrane stress of a straight section of pipe or ducting shall not exceed the tensile strength divided by 1.5 (R_m/1.5) when subjected to the

design pressure specified in 5.4. The pressure ratings of all other piping components shall reflect the same level of strength as straight pipes.

5.11.5 Stress analysis

When the design temperature is -110°C or lower, a complete stress analysis, taking into account all the stresses due to the weight of pipes, including acceleration loads if significant, internal pressure, thermal contraction and loads induced by hog and sag of the ship for each branch of the piping system shall be submitted to the Administration. For temperatures above -110°C , a stress analysis may be required by the Administration in relation to such matters as the design or stiffness of the piping system and the choice of materials. In any case, consideration shall be given to thermal stresses even though calculations are not submitted. The analysis may be carried out according to a code of practice acceptable to the Administration.

5.11.6 Flanges, valves and fittings

5.11.6.1 Flanges, valves and other fittings shall comply with recognized standards, taking into account the material selected and the design pressure defined in 5.4. For bellows expansion joints used in vapour service, a lower minimum design pressure may be accepted.

5.11.6.2 For flanges not complying with a recognized standard, the dimensions of flanges and related bolts shall be to the satisfaction of the Administration or recognized organization acting on its behalf.

5.11.6.3 All emergency shutdown valves shall be of the "fire closed" type (see 5.13.1.1 and 18.10.2).

5.11.6.4 The design and installation of expansion bellows shall be in accordance with recognized standards and be fitted with means to prevent damage due to over-extension or compression.

5.11.7 Ship's cargo hoses

5.11.7.1 Liquid and vapour hoses used for cargo transfer shall be compatible with the cargo and suitable for the cargo temperature.

5.11.7.2 Hoses subject to tank pressure, or the discharge pressure of pumps or vapour compressors, shall be designed for a bursting pressure not less than five times the maximum pressure the hose will be subjected to during cargo transfer.

5.11.7.3 Each new type of cargo hose, complete with end-fittings, shall be prototype-tested at a normal ambient temperature, with 200 pressure cycles from zero to at least twice the specified maximum working pressure. After this cycle pressure test has been carried out, the prototype test shall demonstrate a bursting pressure of at least 5 times its specified maximum working pressure at the upper and lower extreme service temperature. Hoses used for prototype testing shall not be used for cargo service. Thereafter, before being placed in service, each new length of cargo hose produced shall be hydrostatically tested at ambient temperature to a pressure not less than 1.5 times its specified maximum working pressure, but not more than two fifths of its bursting pressure. The hose shall be stencilled, or otherwise marked, with the date of testing, its specified maximum working pressure and, if used in services other than ambient temperature services, its maximum and minimum service temperature, as applicable. The specified maximum working pressure shall not be less than 1 MPa gauge.

5.12 Materials

5.12.1 The choice and testing of materials used in piping systems shall comply with the requirements of Section 6, taking into account the minimum design temperature. However, some relaxation may be permitted in the quality of material of open-ended vent piping, provided that the temperature of the cargo at the pressure relief valve setting is not lower than 55°C, and that no liquid discharge to the vent piping can occur. Similar relaxations may be permitted under the same temperature conditions to open-ended piping inside cargo tanks, excluding discharge piping and all piping inside membrane and semi-membrane tanks.

5.12.2 Materials having a melting point below 925°C shall not be used for piping outside the cargo tanks except for short lengths of pipes attached to the cargo tanks, in which case fire-resisting insulation shall be provided.

5.12.3 Cargo piping insulation system

5.12.3.1 Cargo piping systems shall be provided with a thermal insulation system as required to minimize heat leak into the cargo during transfer operations and to protect personnel from direct contact with cold surfaces.

5.12.3.2 Where applicable, due to location or environmental conditions, insulation materials shall have suitable properties of resistance to fire and flame spread and shall be adequately protected against penetration of water vapour and mechanical damage.

5.12.4 Where the cargo piping system is of a material susceptible to stress corrosion cracking in the presence of a salt-laden atmosphere, adequate measures to avoid this occurring shall be taken by considering material selection, protection of exposure to salty water and/or readiness for inspection.

5.13 Testing requirements**5.13.1 Type testing of piping components**

Note: For tests of piping components and pumps prior to installation on board, refer to TL Technical Circular S-P 05/13 which is developed based on requirements of IACS UR G.3.6.

5.13.1.1 Valves (1)

Each type of valve intended to be used at a working temperature below -55°C shall be subject to the following type tests:

- .1 each size and type of valve shall be subjected to seat tightness testing over the full range of operating pressures for bi-directional flow and temperatures, at intervals, up to the rated design pressure of the valve. Allowable leakage rates shall be to the requirements of the Administration or recognized organization acting on its behalf. During the testing, satisfactory operation of the valve shall be verified;
- .2 the flow or capacity shall be certified to a recognized standard for each size and type of valve;
- .3 pressurized components shall be pressure tested to at least 1.5 times the rated pressure; and

(1) Refer to SIGTTO Publication on "The Selection and Testing of Valves for LNG Applications".

- .4 for emergency shutdown valves, with materials having melting temperatures lower than 925°C, the type testing shall include a fire test to a standard acceptable to the Administration.

5.13.1.2 Expansion bellows

The following type tests shall be performed on each type of expansion bellows intended for use on cargo piping outside the cargo tank and where required by the Administration or recognized organization acting on its behalf, on those installed within the cargo tanks:

- .1 elements of the bellows, not pre-compressed, shall be pressure tested at not less than five times the design pressure without bursting. The duration of the test shall not be less than 5 min;
- .2 a pressure test shall be performed on a type expansion joint, complete with all the accessories such as flanges, stays and articulations, at the minimum design temperature and twice the design pressure at the extreme displacement conditions recommended by the manufacturer, without permanent deformation;
- .3 a cyclic test (thermal movements) shall be performed on a complete expansion joint, which shall withstand at least as many cycles under the conditions of pressure, temperature, axial movement, rotational movement and transverse movement as it will encounter in actual service. Testing at ambient temperature is permitted when this testing is at least as severe as testing at the service temperature; and
- .4 a cyclic fatigue test (ship deformation) shall be performed on a complete expansion joint, without internal pressure, by simulating the bellows movement corresponding to a compensated pipe length, for at least 2,000,000 cycles at a frequency not higher than 5 Hz. This test is only required when, due to the piping arrangement, ship deformation loads are actually experienced.

5.13.2 System testing requirements

5.13.2.1 The requirements of this section apply to piping inside and outside the cargo tanks.

5.13.2.2 After assembly, all cargo and process piping shall be subjected to a strength test with a suitable fluid. The test pressure shall be at least 1.5 times the design pressure (1.25 times the design pressure where the test fluid is compressible) for liquid lines and 1.5 times the maximum system working pressure (1.25 times the maximum system working pressure where the test fluid is compressible) for vapour lines. When piping systems or parts of systems are completely manufactured and equipped with all fittings, the test may be conducted prior to installation on board the ship. Joints welded on board shall be tested to at least 1.5 times the design pressure.

5.13.2.3 After assembly on board, each cargo and process piping system shall be subjected to a leak test using air, or other suitable medium, to a pressure depending on the leak detection method applied.

5.13.2.4 In double wall gas-fuel piping systems, the outer pipe or duct shall also be pressure tested to show that it can withstand the expected maximum pressure at gas pipe rupture.

5.13.2.5 All piping systems, including valves, fittings and associated equipment for handling cargo or vapours, shall be tested under normal operating conditions not later than at the first loading operation, in accordance with recognized standards.

5.13.3 Emergency shutdown valves

The closing characteristics of emergency shutdown valves used in liquid cargo piping systems shall be tested to demonstrate compliance with 18.10.2.1.3. This testing may be carried out on board after installation.

SECTION 6**MATERIALS OF CONSTRUCTION AND QUALITY CONTROL**

	Page
6.1 DEFINITIONS.....	6- 2
6.2 SCOPE AND GENERAL REQUIREMENTS.....	6- 2
6.3 GENERAL TEST REQUIREMENTS AND SPECIFICATIONS	6- 3
6.4 REQUIREMENTS FOR METALLIC MATERIALS	6- 5
6.5 WELDING OF METALLIC MATERIALS AND NON-DESTRUCTIVE TESTING	6-10
6.6 OTHER REQUIREMENTS FOR CONSTRUCTION IN METALLIC MATERIALS	6-14
6.7 NON-METALLIC MATERIALS	6-16

Goal

To identify the required properties, testing standards and stability of metallic and non-metallic materials and fabrication processes used in the construction of cargo containment and piping systems to ensure they serve the functions for which they have been selected, as required in Sections 4 and 5.

6.1 Definitions

6.1.1 Where reference is made in this section to A, B, D, E, AH, DH, EH and FH hull structural steels, these steel grades are hull structural steels according to recognized standards.

6.1.2 A piece is the rolled product from a single slab or billet or from a single ingot, if this is rolled directly into plates, strips, sections or bars.

6.1.3 A batch is the number of items or pieces to be accepted or rejected together, on the basis of the tests to be carried out on a sampling basis. The size of a batch is given in the recognized standards.

6.1.4 Controlled rolling (CR) is a rolling procedure in which the final deformation is carried out in the normalizing temperature range, resulting in a material condition generally equivalent to that obtained by normalizing.

6.1.5 Thermo-mechanical controlled processing (TMCP) is a procedure that involves strict control of both the steel temperature and the rolling reduction. Unlike CR, the properties conferred by TMCP cannot be reproduced by subsequent normalizing or other heat treatment. The use of accelerated cooling on completion of TMCP may also be accepted, subject to approval by the Administration. The same applies for the use of tempering after completion of TMCP.

6.1.6 Accelerated cooling (AcC) is a process that aims to improve mechanical properties by controlled cooling with rates higher than air cooling, immediately after the final TMCP operation. Direct quenching is excluded from accelerated cooling. The material properties conferred by TMCP and AcC cannot be reproduced by subsequent normalizing or other heat treatment.

6.2 Scope and general requirements

With regard to this Section reference is made to the Unified Requirement W1 of the International Association of Classification Societies (IACS).

6.2.1 This section gives the requirements for metallic and non-metallic materials used in the construction of the cargo system. This includes requirements for joining processes, production process, personnel qualification, NDT and inspection and testing including production testing. The requirements for rolled materials, forgings and castings are given in 6.4 and tables 6.1, to 6.5. The requirements for weldments are given in 6.5, and the guidance for non-metallic materials is given in appendix 4. A quality assurance/quality control programme shall be implemented to ensure that the requirements of 6.2 are complied with.

6.2.2 The manufacture, testing, inspection and documentation shall be in accordance with recognized standards and the specific requirements given in the Code.

6.2.3 Where post-weld heat treatment is specified or required, the properties of the base material shall be determined in the heat-treated condition, in accordance with the applicable table of this section, and the weld properties shall be determined in the heat treated condition in accordance with 6.5. In cases where a post-weld heat treatment is applied, the test requirements may be modified at the discretion of the Administration.

6.3 General test requirements and specifications

Note: Where reference is made in this Chapter to A, B, D, E, AH, DH and EH hull structural steels, these steel grades are hull structural steels according to TL Rules – Chapter 2 – Material.

6.3.1 Tensile test

6.3.1.1 Tensile testing shall be carried out in accordance with recognized standards.

6.3.1.2 Tensile strength, yield stress and elongation shall be to the satisfaction of the Administration. For carbon-manganese steel and other materials with definitive yield points, consideration shall be given to the limitation of the yield to tensile ratio.

6.3.2 Toughness test

6.3.2.1 Acceptance tests for metallic materials shall include Charpy V-notch toughness tests, unless otherwise specified by the Administration. The specified Charpy V-notch requirements are minimum average energy values for three full size (10 mm × 10 mm) specimens and minimum single energy values for individual specimens. Dimensions and tolerances of Charpy V-notch specimens shall be in accordance with recognized standards. The testing and requirements for specimens smaller than 5 mm in size shall be in accordance with recognized standards. Minimum average values for subsized specimens shall be:

Charpy V-notch specimen size (mm)	Minimum energy average of energy of specimens
10 x 10	KV
10 x 7.5	5/6 E
10 x 5	2/3 E

where:

KV = the energy values (J) specified in tables 6.1 to 6.4.

Only one individual value may be below the specified average value, provided it is not less than 70% of that value.

6.3.2.2 For base metal, the largest size Charpy V-notch specimens possible for the material thickness shall be machined with the specimens located as near as practicable to a point midway between the surface and the centre of the thickness and the length of the notch perpendicular to the surface as shown in figure 6.1.

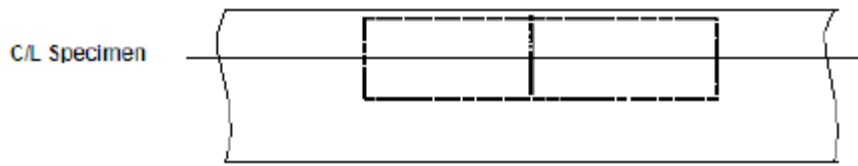


Figure 6.1 – Orientation of base metal test specimen

6.3.2.3 For a weld test specimen, the largest size Charpy V-notch specimens possible for the material thickness shall be machined, with the specimens located as near as practicable to a point midway between the surface and the centre of the thickness. In all cases, the distance from the surface of the material to the edge of the specimen shall be approximately 1 mm or greater. In addition, for double-V butt welds, specimens shall be machined closer to the surface of the second welded section. The specimens shall be taken generally at each of the following locations, as shown in figure 6.2, on the centreline of the welds, the fusion line and 1 mm, 3 mm and 5 mm from the fusion line.

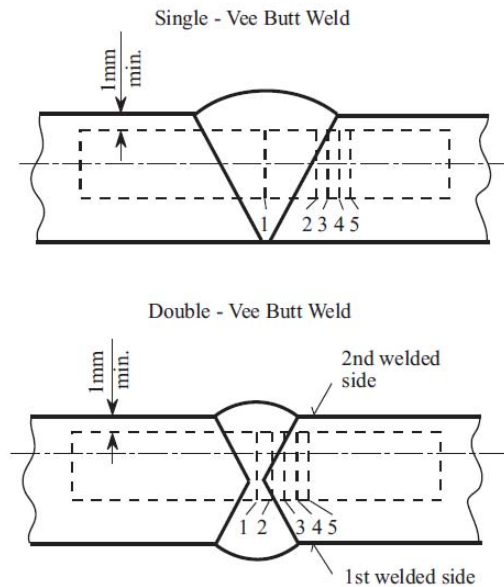


Figure 6.2 Orientation of weld test specimen

Notch location:

- 1 Centre of weld
- 2 On fusion line
- 3 In HAZ, 1 mm from fusion line
- 4 In HAZ, 3mm from fusion line
- 5 In HAZ, 5mm from fusion line

The largest size Charpy specimens possible for the material thickness are to be machined with the centre of the specimens located as near as practicable to a point midway between the surface and the centre of the thickness. In all cases, the distance from the surface of the material to the edge of the specimen should be approximately one mm or greater. In addition for double-vee butt welds, specimens are to be machined closer to the surface of the second welded side.

6.3.2.4 If the average value of the three initial Charpy V-notch specimens fails to meet the stated requirements, or the value for more than one specimen is below the required average value, or when the value for one specimen is below the minimum value permitted for a single specimen, three additional specimens from the same material may be tested and the results be combined with those previously obtained to form a new average. If this new average complies with the requirements and if no more than two individual results are lower than the required average and no more than one result is lower than the required value for a single specimen, the piece or batch may be accepted.

6.3.3 Bend test

6.3.3.1 The bend test may be omitted as a material acceptance test, but is required for weld tests. Where a bend test is performed, this shall be done in accordance with recognized standards.

6.3.3.2 The bend tests shall be transverse bend tests, which may be face, root or side bends at the discretion of the Administration. However, longitudinal bend tests may be required in lieu of transverse bend tests in cases where the base material and weld metal have different strength levels.

6.3.4 Section observation and other testing

Macrosection, microsection observations and hardness tests may also be required by the Administration, and they shall be carried out in accordance with recognized standards, where required.

6.4 Requirements for metallic materials

6.4.1 General requirements for metallic materials

6.4.1.1 The requirements for materials of construction are shown in the tables as follows:

- .1** Table 6.1: Plates, pipes (seamless and welded), sections and forgings for cargo tanks and process pressure vessels for design temperatures not lower than 0°C.
- .2** Table 6.2: Plates, sections and forgings for cargo tanks, secondary barriers and process pressure vessels for design temperatures below 0°C and down to -55°C.
- .3** Table 6.3: Plates, sections and forgings for cargo tanks, secondary barriers and process pressure vessels for design temperatures below -55°C and down to -165°C.
- .4** Table 6.4: Pipes (seamless and welded), forgings and castings for cargo and process piping for design temperatures below 0°C and down to -165°C.
- .5** Table 6.5: Plates and sections for hull structures required by 4.19.1.2 and 4.19.1.3.

Table 6.1

PLATES, PIPES (SEAMLESS AND WELDED)^{See notes 1 and 2,} SECTIONS AND FORGINGS FOR CARGO TANKS AND PROCESS PRESSURE VESSELS FOR DESIGN TEMPERATURES NOT LOWER THAN 0°C		
CHEMICAL COMPOSITION AND HEAT TREATMENT		
<ul style="list-style-type: none"> • Carbon-manganese steel • Fully killed fine grain steel • Small additions of alloying elements by agreement with the Administration • Composition limits to be approved by the Administration • Normalized, or quenched and tempered ^{See note 4} 		
TENSILE AND TOUGHNESS (IMPACT) TEST REQUIREMENTS		
Sampling frequency		
• Plates	Each "piece" to be tested	
• Sections and forgings	Batch test	
Mechanical properties		
• Tensile properties	Specified minimum yield stress not to exceed 410 N/mm ² ^{See note 5}	
Toughness (Charpy V-notch test)		
• Plates	Transverse test pieces. Minimum average energy value (E) 27 J	
• Sections and forgings	Longitudinal test pieces. Minimum average energy value (E) 41 J	
• Test temperature:	Thickness t (mm)	Test temperature (°C)
	t ≤ 20	0
	20 < t ≤ 40 ^{See note 3}	-20
Notes:		
1) For seamless pipes and fittings normal practice applies. The use of longitudinally and spirally welded pipes shall be specially approved by the Administration or recognized organization acting on its behalf.		
2) Charpy V-notch impact tests are not required for pipes.		
3) This table is generally applicable for material thicknesses up to 40 mm. Proposals for greater thicknesses shall be approved by the Administration or recognized organization acting on its behalf.		
4) A controlled rolling procedure or TMCP may be used as an alternative.		
5) Materials with specified minimum yield stress exceeding 410 N/mm ² may be approved by the Administration or recognized organization acting on its behalf. For these materials, particular attention shall be given to the hardness of the welded and heat affected zones..		

Table 6.2

PLATES, SECTIONS AND FORGINGS See note 1 FOR CARGO TANKS, SECONDARY BARRIERS AND PROCESS PRESSURE VESSELS FOR DESIGN TEMPERATURES BELOW 0°C AND DOWN TO -55°C
Maximum thickness 25 mm See note 2

CHEMICAL COMPOSITION AND HEAT TREATMENT

- Carbon-manganese steel
- Fully killed Aluminium treated fine grain steel
- Chemical composition (ladle analysis)

C	Mn	Si	S	P
0.16% max. <small>See note 3</small>	0.7 - 1.60%	0.1 - 0.50%	0.025% max.	0.025% max.

Optional additions: Alloys and grain refining elements may be generally in accordance with the following:

Ni	Cr	Mo	Cu	Nb	V
0.8% max.	0.25% max.	0.08% max.	0.35% max.	0.05% max.	0.1% max.

Al content total 0.02% min. (Acid soluble 0.015% min)

- Normalized or quenched and tempered See note 4

TENSILE AND TOUGHNESS (IMPACT) TEST REQUIREMENTS

Sampling frequency

- Plates Each "piece" to be tested
- Sections and forgings Each "batch" to be tested

Mechanical properties

- Tensile properties Specified minimum yield stress not to exceed 410 N/mm² See note 5

Toughness (Charpy V-notch test)

- Plates Transverse test pieces. Minimum average energy value (KV) 27J
- Sections and forgings Longitudinal test pieces. Minimum average energy (KV) 41 J
- Test temperature 5°C below the design temperature or -20°C, whichever is lower

Notes:

- 1) The Charpy V-notch and chemistry requirements for forgings may be specially considered by the Administration.
- 2) For material thickness of more than 25 mm, Charpy V-notch tests should be conducted as follows:

Material thickness (mm)	Test temperature (°C)
25 < t ≤ 30	10° below design temperature or -20° whichever is lower
30 < t ≤ 35	15° below design temperature or -20° whichever is lower
35 < t ≤ 40	20° below design temperature
40 < t	Temperature approved by the Administration or recognized organization acting on its behalf

The impact energy value shall be in accordance with the table for the applicable type of test specimen.

Materials for tanks and parts of tanks which are completely thermally stress relieved after welding may be tested at a temperature 5°C below design temperature or -20°C, whichever is lower. For thermally stress relieved reinforcements and other fittings, the test temperature shall be the same as that required for the adjacent tank-shell thickness.

- 3) By special agreement with the Administration, the carbon content may be increased to 0.18% maximum, provided the design temperature is not lower than -40°C.
- 4) A controlled rolling procedure or TMCP may be used as an alternative.
- 5) Materials with specified minimum yield stress exceeding 410 N/mm² may be approved by the Administration or recognized organization acting on its behalf. For these materials, particular attention shall be given to the hardness of the welded and heat affected zones.

Guidance:

For materials exceeding 25 mm in thickness for which the test temperature is -60°C or lower, the application of specially treated steels or steels in accordance with table 6.3 may be necessary

Table 6.3

PLATES, SECTIONS AND FORGINGS^{See note1} FOR CARGO TANKS, SECONDARY BARRIERS AND PROCESS PRESSURE VESSELS FOR^{See note 2} DESIGN TEMPERATURES BELOW -55°C AND DOWN TO -165°C Maximum thickness 25 mm^{See note3 and 4}										
Min. design temp. (°C)	Chemical composition ⁴ and heat treatment	Impact test temp. (°C)								
-60	1.5% nickel steel - normalized and tempered or quenched and tempered or TMCP ^{See note 6}	-65								
-65	2.25% nickel steel - normalized or normalized and tempered or quenched and tempered or TMCP ^{See note6 and 7}	-70								
-90	3.5% nickel steel - normalized or normalized and tempered or quenched and tempered or TMCP ^{See note6 and 7}	-95								
-105	5% nickel steel - normalized or normalized and tempered or quenched and tempered or TMCP ^{See note6, 7 and 8}	-110								
-165	9% nickel steel - double normalized and tempered or quenched and tempered ^{See note6}	-196								
-165	Austenitic steels, such as types 304, 304L, 316, 316L, 321 and 347 solution treated ^{See note1}	-196								
-165	Aluminium alloys; such as type 5083 annealed	Not required								
-165	Austenitic Fe-Ni alloy (36% nickel) Heat treatment as agreed	Not required								
TENSILE AND TOUGHNESS (IMPACT) TEST REQUIREMENTS										
Sampling frequency										
• Plates	Each "piece" to be tested									
• Sections and forgings	Each "batch" to be tested									
Toughness (Charpy v-notch test)										
• Plates	Transverse test pieces. Minimum average energy value (KV) 27J									
• Sections and forgings	Longitudinal test pieces. Minimum average energy value (KV) 41J									
Notes:										
1)	The impact test required for forgings used in critical applications shall be subject to special consideration by the Administration.									
2)	The requirements for design temperatures below -165°C should be specially agreed with the Administration.									
3)	For materials 1.5% Ni, 2.25% Ni, 3.5% Ni and 5% Ni, with thickness greater than 25 mm, the impact tests should be conducted as follows:									
	<table border="1"> <thead> <tr> <th>Material thickness (mm)</th> <th>Test temperature (°C)</th> </tr> </thead> <tbody> <tr> <td style="text-align: center;">$25 < t \leq 30$</td> <td style="text-align: center;">10° below design temperature</td> </tr> <tr> <td style="text-align: center;">$30 < t \leq 35$</td> <td style="text-align: center;">15° below design temperature</td> </tr> <tr> <td style="text-align: center;">$35 < t \leq 40$</td> <td style="text-align: center;">20° below design temperature</td> </tr> </tbody> </table>	Material thickness (mm)	Test temperature (°C)	$25 < t \leq 30$	10° below design temperature	$30 < t \leq 35$	15° below design temperature	$35 < t \leq 40$	20° below design temperature	
Material thickness (mm)	Test temperature (°C)									
$25 < t \leq 30$	10° below design temperature									
$30 < t \leq 35$	15° below design temperature									
$35 < t \leq 40$	20° below design temperature									
	The energy value shall be in accordance with the table for the application type of test specimen. For material thickness of more than 40 mm, the Charpy V-notch values shall be specially considered.									
4)	The chemical composition limits should be approved by the Administration.									
5)	The chemical composition limits shall be in accordance with recognized standards.									
6)	TMCP nickel steels will be subject to acceptance by the Administration.									
7)	A lower minimum design temperature for quenched and tempered steels may be specially agreed with the Administration.									
8)	A specially heat treated 5% nickel steel, for example triple heat treated 5% nickel steel, may be used down to -165°C, provided that the impact tests are carried out at -196°C.									
9)	The impact test may be omitted, subject to agreement with the Administration									

Table 6.4

PIPES (SEAMLESS AND WELDED) ^{See note 1}, FORGINGS ^{See note 2} AND CASTINGS ^{See note 2} FOR CARGO AND PROCESS PIPING FOR DESIGN TEMPERATURES BELOW 0°C AND DOWN TO -165°C ^{See note 3}			
Maximum thickness 25 mm			
Minimum design temp. (°C)	Chemical composition ^{See note 5} and heat treatment	Impact test	
		Test temp. (°C)	Minimum average energy (KV) (J)
-55	Carbon-manganese steel. Fully killed fine grain. Normalized or as agreed ^{See note 6}	See Note 4	27
-65	2.25% nickel steel. Normalized, normalized and tempered or quenched and tempered ^{See note 6}	-70	34
-90	3.5% nickel steel. Normalized, normalized and tempered or quenched and tempered ^{See note 6}	-95	34
-165	9% nickel steel ^{See note 7} . Double normalized and tempered or quenched and tempered	-196	41
	Austenitic steels, such as types 304, 304L, 316, 316L, 321 and 347. Solution treated ^{See note 8}	-196	41
	Aluminium alloys; such as type 5083 annealed		Not required
TENSILE AND TOUGHNESS (IMPACT) TEST REQUIREMENTS			
Sampling frequency			
<ul style="list-style-type: none"> • Each batch to be tested 			
Toughness (Charpy v-notch test)			
<ul style="list-style-type: none"> • Impact test - Longitudinal test pieces 			
Notes:			
1) <i>The use of longitudinally or spirally welded pipes shall be specially approved by the Administration.</i>			
2) <i>The requirements for forgings and castings may be subject to special consideration by the Administration.</i>			
3) <i>The requirements for design temperatures below -165°C shall be specially agreed with the Administration.</i>			
4) <i>The test temperature shall be 5°C below the design temperature or -20°C whichever is lower.</i>			
5) <i>The composition limits shall be approved by the Administration.</i>			
6) <i>A lower design temperature may be specially agreed with the Administration for quenched and tempered materials.</i>			
7) <i>This chemical composition is not suitable for castings.</i>			
8) <i>Impact tests may be omitted subject to agreement with the Administration.</i>			

Table 6.5

PLATES AND SECTIONS FOR HULL STRUCTURES REQUIRED BY 4.19.1.2 AND 4.19.1.3							
Minimum design temperature of hull structure (°C)	Maximum thickness (mm) for steel grades						
	A	B	D	E	AH	DH	EH
0 and above ^{See note 1}	Recognized standards						
-5 and above ^{See note 2}							
-5 and below 0	15	25	30	50	25	45	50
-10 and below -5	X	20	25	50	20	40	50
-20 and below -10	X	X	20	50	X	30	50
-30 and below -20	X	X	X	40	X	20	40
Below -30	In accordance with Table 6.2 except that the thickness limitation given in Table 6.2 and in note 2 of that table does not apply.						
Notes: <i>"X" means steel grade not to be used.</i> 1) For the purpose of 4.19.1.3. 2) For the purpose of 4.19.1.2.							

6.5 Welding of metallic materials and non-destructive testing

6.5.1 General

6.5.1.1 This section shall apply to primary and secondary barriers only, including the inner hull where this forms the secondary barrier. Acceptance testing is specified for carbon, carbon-manganese, nickel alloy and stainless steels, but these tests may be adapted for other materials. At the discretion of the Administration, impact testing of stainless steel and aluminium alloy weldments may be omitted and other tests may be specially required for any material.

6.5.2 Welding consumables

6.5.2.1 Consumables intended for welding of cargo tanks shall be in accordance with recognized standards. Deposited weld metal tests and butt weld tests shall be required for all consumables. The results obtained from tensile and Charpy V-notch impact tests shall be in accordance with recognized standards. The chemical composition of the deposited weld metal shall be recorded for information.

6.5.3 Welding procedure tests for cargo tanks and process pressure vessels

6.5.3.1 Welding procedure tests for cargo tanks and process pressure vessels are required for all butt welds.

6.5.3.2 The test assemblies shall be representative of:

- .1 each base material;
- .2 each type of consumable and welding process; and
- .3 each welding position.

6.5.3.3 For butt welds in plates, the test assemblies shall be so prepared that the rolling direction is parallel to the direction of welding. The range of thickness qualified by each welding procedure test shall be in accordance with recognized standards. Radiographic or ultrasonic testing may be performed at the option of the fabricator.

6.5.3.4 The following welding procedure tests for cargo tanks and process pressure vessels shall be carried out in accordance with 6.3, with specimens made from each test assembly:

- .1 cross-weld tensile tests;
- .2 longitudinal all-weld testing, where required by the recognized standards;
- .3 transverse bend tests, which may be face, root or side bends. However, longitudinal bend tests may be required in lieu of transverse bend tests in cases where the base material and weld metal have different strength levels;
- .4 one set of three Charpy V-notch impacts, generally at each of the following locations, as shown in figure 6.2:
 - .1 centreline of the weld;
 - .2 fusion line;
 - .3 1 mm from the fusion line;
 - .4 3 mm from the fusion line; and
 - .5 5 mm from the fusion line; and
- .5 macrosection, microsection and hardness survey may also be required.

6.5.3.5 Each test shall satisfy the following requirements:

- .1 tensile tests: cross-weld tensile strength shall not be less than the specified minimum tensile strength for the appropriate parent materials. For aluminium alloys, reference shall be made to 4.18.1.3 with regard to the requirements for weld metal strength of under-matched welds (where the weld metal has a lower tensile strength than the parent metal). In every case, the position of fracture shall be recorded for information;
- .2 bend tests: no fracture is acceptable after a 180° bend over a former of a diameter four times the thickness of the test pieces; and

.3 Charpy V-notch impact tests: Charpy V-notch tests shall be conducted at the temperature prescribed for the base material being joined. The results of weld metal impact tests, minimum average energy (KV), shall be no less than 27 J. The weld metal requirements for subsize specimens and single energy values shall be in accordance with 6.3.2. The results of fusion line and heat-affected zone impact tests shall show a minimum average energy (KV) in accordance with the transverse or longitudinal requirements of the base material, whichever is applicable, and for subsize specimens, the minimum average energy (KV) shall be in accordance with 6.3.2. If the material thickness does not permit machining either full-size or standard subsize specimens, the testing procedure and acceptance standards shall be in accordance with recognized standards.

6.5.3.6 Procedure tests for fillet welding shall be in accordance with recognized standards. In such cases, consumables shall be so selected that exhibit satisfactory impact properties.

6.5.4 Welding procedure tests for piping

Welding procedure tests for piping shall be carried out and shall be similar to those detailed for cargo tanks in 6.5.3.

6.5.5 Production weld tests

6.5.5.1 For all cargo tanks and process pressure vessels, except integral and membrane tanks, production weld tests shall generally be performed for approximately each 50 m of butt-weld joints and shall be representative of each welding position. For secondary barriers, the same type production tests as required for primary tanks shall be performed, except that the number of tests may be reduced subject to agreement with the Administration. Tests, other than those specified in 6.5.5.2 to 6.5.5.5 may be required for cargo tanks or secondary barriers.

6.5.5.2 The production tests for type A and type B independent tanks and semi-membrane tanks shall include bend tests and, where required for procedure tests, one set of three Charpy V-notch tests. The tests shall be made for each 50 m of weld. The Charpy V-notch tests shall be made with specimens having the notch alternately located in the centre of the weld and in the heat-affected zone (most critical location based on procedure qualification results). For austenitic stainless steel, all notches shall be in the centre of the weld.

6.5.5.3 For type C independent tanks and process pressure vessels, transverse weld tensile tests are required in addition to the tests listed in 6.5.5.2. Tensile tests shall meet the requirements of 6.5.3.5.

6.5.5.4 The quality assurance/quality control programme shall ensure the continued conformity of the production welds as defined in the material manufacturers quality manual.

6.5.5.5 The test requirements for integral and membrane tanks are the same as the applicable test requirements listed in 6.5.3.

6.5.6 Non-destructive testing

6.5.6.1 All test procedures and acceptance standards shall be in accordance with recognized standards, unless the designer specifies a higher standard in order to meet design assumptions. Radiographic testing shall be used, in principle, to detect internal defects. However, an approved ultrasonic test procedure in lieu of radiographic testing may be conducted, but, in addition, supplementary radiographic testing at selected locations shall be carried out to verify the results. Radiographic and ultrasonic testing records shall be retained.

6.5.6.2 For type A independent tanks and semi-membrane tanks, where the design temperature is below -20°C , and for type B independent tanks, regardless of temperature, all full penetration butt welds of the shell plating of cargo tanks shall be subjected to non-destructive testing suitable to detect internal defects over their full length. Ultrasonic testing in lieu of radiographic testing may be carried out under the same conditions as described in 6.5.6.1.

6.5.6.3 Where the design temperature is higher than -20°C , all full penetration butt welds in way of intersections and at least 10% of the remaining full penetration welds of tank structures shall be subjected to radiographic testing or ultrasonic testing under the same conditions as described in 6.5.6.1.

6.5.6.4 In each case, the remaining tank structure, including the welding of stiffeners and other fittings and attachments, shall be examined by magnetic particle or dye penetrant methods, as considered necessary.

6.5.6.5 For type C independent tanks, the extent of non-destructive testing shall be total or partial according to recognized standards, but the controls to be carried out shall not be less than the following:

.1 Total non-destructive testing referred to in 4.23.2.1.3:

Radiographic testing:

.1 all butt welds over their full length;

Non-destructive testing for surface crack detection:

.2 all welds over 10% of their length;

.3 reinforcement rings around holes, nozzles, etc., over their full length.

As an alternative, ultrasonic testing as described in 6.5.6.1 may be accepted as a partial substitute for the radiographic testing. In addition, the Administration may require total ultrasonic testing on welding of reinforcement rings around holes, nozzles, etc.

.2 Partial non-destructive testing referred to in 4.23.2.1.3:

Radiographic testing:

.1 all butt-welded crossing joints and at least 10% of the full length of butt welds at selected positions uniformly distributed;

Non-destructive testing for surface crack detection:

.2 reinforcement rings around holes, nozzles, etc., over their full length;

Ultrasonic testing:

.3 as may be required by the Administration or recognized organization acting on its behalf in each instance.

6.5.6.6 The quality assurance/quality control programme shall ensure the continued conformity of the non-destructive testing of welds, as defined in the material manufacturer's quality manual.

6.5.6.7 Inspection of piping shall be carried out in accordance with the requirements of Section 5.

6.5.6.8 The secondary barrier shall be non-destructive tested for internal defects as considered necessary. Where the outer shell of the hull is part of the secondary barrier, all sheer strake butts and the intersections of all butts and seams in the side shell shall be tested by radiographic testing.

6.6 Other requirements for construction in metallic materials

6.6.1 General

6.6.1.1 Inspection and non-destructive testing of welds shall be in accordance with the requirements of 6.5.5 and 6.5.6. Where higher standards or tolerances are assumed in the design, they shall also be satisfied.

6.6.2 Independent tank

6.6.2.1 For type C tanks and type B tanks primarily constructed of bodies of revolution, the tolerances relating to manufacture, such as out-of-roundness, local deviations from the true form, welded joints alignment and tapering of plates having different thicknesses, shall comply with recognized standards. The tolerances shall also be related to the buckling analysis referred to in 4.22.3.2 and 4.23.3.2.

6.6.2.2 For type C tanks of carbon and carbon-manganese steel, post-weld heat treatment shall be performed after welding, if the design temperature is below -10°C . Post-weld heat treatment in all other cases and for materials other than those mentioned above shall be to recognized standards. The soaking temperature and holding time shall be to the recognized standards.

6.6.2.3 In the case of type C tanks and large cargo pressure vessels of carbon or carbon-manganese steel, for which it is difficult to perform the heat treatment, mechanical stress relieving by pressurizing may be carried out as an alternative to the heat treatment and subject to the following conditions:

- .1 complicated welded pressure vessel parts such as sumps or domes with nozzles, with adjacent shell plates shall be heat treated before they are welded to larger parts of the pressure vessel;
- .2 the mechanical stress relieving process shall preferably be carried out during the hydrostatic pressure test required by 4.23.6, by applying a higher pressure than the test pressure required by 4.23.6.1. The pressurizing medium shall be water;
- .3 for the water temperature, 4.23.6.2 applies;
- .4 stress relieving shall be performed while the tank is supported by its regular saddles or supporting structure or, when stress relieving cannot be carried out on board, in a manner which will give the same stresses and stress distribution as when supported by its regular saddles or supporting structure;
- .5 the maximum stress relieving pressure shall be held for 2 h per 25 mm of thickness, but in no case less than 2 h;
- .6 the upper limits placed on the calculated stress levels during stress relieving shall be the following:
 - .1 equivalent general primary membrane stress: $0.9 R_e$;

- .2 equivalent stress composed of primary bending stress plus membrane stress: $1.35 R_e$, where R_e is the specific lower minimum yield stress or 0.2% proof stress at test temperature of the steel used for the tank;
- .7 strain measurements will normally be required to prove these limits for at least the first tank of a series of identical tanks built consecutively. The location of strain gauges shall be included in the mechanical stress relieving procedure to be submitted in accordance with 6.6.2.3;
- .8 the test procedure shall demonstrate that a linear relationship between pressure and strain is achieved at the end of the stress relieving process when the pressure is raised again up to the design pressure;
- .9 high-stress areas in way of geometrical discontinuities such as nozzles and other openings shall be checked for cracks by dye penetrant or magnetic particle inspection after mechanical stress relieving. Particular attention in this respect shall be paid to plates exceeding 30 mm in thickness;
- .10 steels which have a ratio of yield stress to ultimate tensile strength greater than 0.8 shall generally not be mechanically stress relieved. If, however, the yield stress is raised by a method giving high ductility of the steel, slightly higher rates may be accepted upon consideration in each case;
- .11 mechanical stress relieving cannot be substituted for heat treatment of cold formed parts of tanks, if the degree of cold forming exceeds the limit above which heat treatment is required;
- .12 the thickness of the shell and heads of the tank shall not exceed 40 mm. Higher thicknesses may be accepted for parts which are thermally stress relieved;
- .13 local buckling shall be guarded against, particularly when tori-spherical heads are used for tanks and domes; and
- .14 the procedure for mechanical stress relieving shall be to a recognized standard.

6.6.3 Secondary barriers

During construction, the requirements for testing and inspection of secondary barriers shall be approved or accepted by the Administration or recognized organization acting on its behalf (see 4.6.2.5 and 4.6.2.6).

6.6.4 Semi-membrane tanks

For semi-membrane tanks, the relevant requirements in section 6.6 for independent tanks or for membrane tanks shall be applied as appropriate.

6.6.5 Membrane tanks

The quality assurance/quality control programme shall ensure the continued conformity of the weld procedure qualification, design details, materials, construction, inspection and production testing of components. These standards and procedures shall be developed during the prototype testing programme.

6.7 Non-metallic materials**6.7.1 General**

The information in the attached appendix 4 is given for guidance in the selection and use of these materials, based on the experience to date.

SECTION 7**CARGO PRESSURE/TEMPERATURE CONTROL**

7.1	METHODS OF CONTROL	7- 2
7.2	DESIGN OF SYSTEMS	7- 2
7.3	RELIQUEFACTION OF CARGO VAPOURS	7- 2
7.4	THERMAL OXIDATION OF VAPOURS	7- 3
7.5	PRESSURE ACCUMULATION SYSTEMS	7- 4
7.6	LIQUID CARGO COOLING	7- 4
7.7	SEGREGATION	7- 4
7.8	AVAILABILITY	7- 4

Goal

To maintain the cargo tank pressure and temperature within design limits of the containment system and/or carriage requirements of the cargo.

7.1 Methods of control

7.1.1 With the exception of tanks designed to withstand full gauge vapour pressure of the cargo under conditions of the upper ambient design temperatures, cargo tanks' pressure and temperature shall be maintained at all times within their design range by either one, or a combination of, the following methods:

- .1 reliquefaction of cargo vapours;
- .2 thermal oxidation of vapours;
- .3 pressure accumulation; and
- .4 liquid cargo cooling.

7.1.2 For certain cargoes, where required by Section 17, the cargo containment system shall be capable of withstanding the full vapour pressure of the cargo under conditions of the upper ambient design temperatures, irrespective of any system provided for dealing with boil-off gas.

7.1.3 Venting of the cargo to maintain cargo tank pressure and temperature shall not be acceptable except in emergency situations. The Administration may permit certain cargoes to be controlled by venting cargo vapours to the atmosphere at sea. This may also be permitted in port with the authorization of the port Administration.

7.2 Design of systems

For normal service, the upper ambient design temperature shall be:

- sea: 32°C
- air: 45°C

For service in particularly hot or cold zones, these design temperatures shall be increased or decreased, to the satisfaction of the Administration. The overall capacity of the system shall be such that it can control the pressure within the design conditions without venting to atmosphere.

7.3 Reliquefaction of cargo vapours**7.3.1 General**

The reliquefaction system may be arranged in one of the following ways:

- .1 a direct system, where evaporated cargo is compressed, condensed and returned to the cargo tanks;

- .2 an indirect system, where cargo or evaporated cargo is cooled or condensed by refrigerant without being compressed;
- .3 a combined system, where evaporated cargo is compressed and condensed in a cargo/refrigerant heat exchanger and returned to the cargo tanks; and
- .4 if the reliquefaction system produces a waste stream containing methane during pressure control operations within the design conditions, these waste gases, as far as reasonably practicable, are disposed of without venting to atmosphere.

Note:

The requirements of Sections 17 and 19 may preclude the use of one or more of these systems or may specify the use of a particular system.

7.3.2 Compatibility

Refrigerants used for reliquefaction shall be compatible with the cargo they may come into contact with. In addition, when several refrigerants are used and may come into contact, they shall be compatible with each other.

7.4 Thermal oxidation of vapours

7.4.1 General

Maintaining the cargo tank pressure and temperature by means of thermal oxidation of cargo vapours, as defined in 1.2.52 and 16.2 shall be permitted only for LNG cargoes. In general:

- .1 thermal oxidation systems shall exhibit no externally visible flame and shall maintain the uptake exhaust temperature below 535°C;
- .2 arrangement of spaces where oxidation systems are located shall comply with 16.3 and supply systems shall comply with 16.4; and
- .3 if waste gases coming from any other system are to be burnt, the oxidation system shall be designed to accommodate all anticipated feed gas compositions.

7.4.2 Thermal oxidation systems

Thermal oxidation systems shall comply with the following:

- .1 each thermal oxidation system shall have a separate uptake;
- .2 each thermal oxidation system shall have a dedicated forced draught system; and
- .3 combustion chambers and uptakes of thermal oxidation systems shall be designed to prevent any accumulation of gas.

7.4.3 Burners

Burners shall be designed to maintain stable combustion under all design firing conditions.

7.4.4 Safety

7.4.4.1 Suitable devices shall be installed and arranged to ensure that gas flow to the burner is cut off unless satisfactory ignition has been established and maintained.

7.4.4.2 Each oxidation system shall have provision to manually isolate its gas fuel supply from a safely accessible position.

7.4.4.3 Provision shall be made for automatic purging the gas supply piping to the burners by means of an inert gas, after the extinguishing of these burners.

7.4.4.4 In case of flame failure of all operating burners for gas or oil or for a combination thereof, the combustion chambers of the oxidation system shall be automatically purged before relighting.

7.4.4.5 Arrangements shall be made to enable the combustion chamber to be manually purged.

7.5 Pressure accumulation systems

The containment system insulation, design pressure or both shall be adequate to provide for a suitable margin for the operating time and temperatures involved. No additional pressure and temperature control system is required. Conditions for acceptance shall be recorded in the International Certificate of Fitness for the Carriage of Liquefied Gases in Bulk required in 1.4.4.

7.6 Liquid cargo cooling

The bulk cargo liquid may be refrigerated by coolant circulated through coils fitted either inside the cargo tank or onto the external surface of the cargo tank.

7.7 Segregation

Where two or more cargoes that may react chemically in a dangerous manner are carried simultaneously, separate systems as defined in 1.2.47, each complying with availability criteria as specified in 7.8, shall be provided for each cargo. For simultaneous carriage of two or more cargoes that are not reactive to each other but where, due to properties of their vapour, separate systems are necessary, separation may be by means of isolation valves.

7.8 Availability (1)

The availability of the system and its supporting auxiliary services shall be such that:

- .1 in case of a single failure of a mechanical non-static component or a component of the control systems, the cargo tanks' pressure and temperature can be maintained within their design range without affecting other essential services;

(1) *UI GC10 shall also be applied as applicable.*

- .2 redundant piping systems are not required;
- .3 heat exchangers that are solely necessary for maintaining the pressure and temperature of the cargo tanks within their design ranges shall have a standby heat exchanger, unless they have a capacity in excess of 25% of the largest required capacity for pressure control and they can be repaired on board without external resources. Where an additional and separate method of cargo tank pressure and temperature control is fitted that is not reliant on the sole heat exchanger, then a standby heat exchanger is not required; and

Note: A stand-by LNG/refrigerant heat exchanger need not be provided and the fitted LNG/refrigerant heat exchanger will not be required to have 25% excess capacity over that for normal requirements. Other heat exchangers utilizing water cooling should have a stand-by or have at least 25 per cent excess capacity. The reason for this relaxation is that corrosion and fouling problems are not expected in LNG/refrigerant heat exchangers.

- .4 for any cargo heating or cooling medium, provisions shall be made to detect the leakage of toxic or flammable vapours into an otherwise non-hazardous area or overboard in accordance with 13.6. Any vent outlet from this leak detection arrangement shall be to a non-hazardous area and be fitted with a flame screen.

SECTION 8**VENT SYSTEMS FOR CARGO CONTAINMENT**

	Page
8.1 GENERAL	8- 2
8.2 PRESSURE RELIEF SYSTEMS	8- 2
8.3 VACUUM PROTECTION SYSTEMS	8- 5
8.4 SIZING OF PRESSURE RELIEVING SYSTEM	8- 5

Goal

To protect cargo containment systems from harmful overpressure or under pressure at all times.

8.1 General

All cargo tanks shall be provided with a pressure relief system appropriate to the design of the cargo containment system and the cargo being carried. Hold spaces and interbarrier spaces, which may be subject to pressures beyond their design capabilities, shall also be provided with a suitable pressure relief system. Pressure control systems specified in Section 7 shall be independent of the pressure relief systems.

8.2 Pressure relief systems

8.2.1 Cargo tanks, including deck tanks, shall be fitted with a minimum of two pressure relief valves (PRVs), each being of equal size within manufacturer's tolerances and suitably designed and constructed for the prescribed service.

If cargo holds with independent tanks may be completely closed, overpressure/vacuum relief valves are to be provided for in order to avoid pressure variations of more than 0,15 bar above and below atmospheric pressure.

8.2.2 Interbarrier spaces shall be provided with pressure relief devices **(1)**. For membrane systems, the designer shall demonstrate adequate sizing of interbarrier space PRVs.

8.2.3 The setting of the PRVs shall not be higher than the vapour pressure that has been used in the design of the tank. Where two or more PRVs are fitted, valves comprising not more than 50% of the total relieving capacity may be set at a pressure up to 5% above MARVS to allow sequential lifting, minimizing unnecessary release of vapour.

8.2.4 The following temperature requirements apply to PRVs fitted to pressure relief systems:

- .1 PRVs on cargo tanks with a design temperature below 0oC shall be designed and arranged to prevent their becoming inoperative due to ice formation;
- .2 the effects of ice formation due to ambient temperatures shall be considered in the construction and arrangement of PRVs;
- .3 PRVs shall be constructed of materials with a melting point above 925°C. Lower melting point materials for internal parts and seals may be accepted, provided that fail-safe operation of the PRV is not compromised; and
- .4 sensing and exhaust lines on pilot operated relief valves shall be of suitably robust construction to prevent damage.

8.2.5 Valve testing

8.2.5.1 PRVs shall be type-tested. Type tests shall include:

- .1 verification of relieving capacity;

(1) Refer to IACS Unified Interpretation GC9 entitled "Guidance for sizing pressure relief systems for interbarrier spaces", 1988.

- .2 cryogenic testing when operating at design temperatures colder than -55°C;
- .3 seat tightness testing; and
- .4 pressure containing parts are pressure tested to at least 1.5 times the design pressure.

PRVs shall be tested in accordance with recognized standards **(1)**.

8.2.5.2 Each PRV shall be tested to ensure that:

- .1 it opens at the prescribed pressure setting, with an allowance not exceeding $\pm 10\%$ for 0 to 0.15 MPa, $\pm 6\%$ for 0.15 to 0.3 MPa, $\pm 3\%$ for 0.3 MPa and above;
- .2 seat tightness is acceptable; and
- .3 pressure containing parts will withstand at least 1.5 times the design pressure.

8.2.6 PRVs shall be set and sealed by the Administration or recognized organization acting on its behalf, and a record of this action, including the valves' set pressure, shall be retained on board the ship.

Prototype testing includes testing at design temperature.

8.2.7 Cargo tanks may be permitted to have more than one relief valve set pressure in the following cases:

- .1 installing two or more properly set and sealed PRVs and providing means, as necessary, for isolating the valves not in use from the cargo tank; or
- .2 installing relief valves whose settings may be changed by the use of a previously approved device not requiring pressure testing to verify the new set pressure. All other valve adjustments shall be sealed.

8.2.8 Changing the set pressure under the provisions of 8.2.7 and the corresponding resetting of the alarms referred to in 13.4.2 shall be carried out under the supervision of the master in accordance with approved procedures and as specified in the ship's operating manual. Changes in set pressure shall be recorded in the ship's log and a sign shall be posted in the cargo control room, if provided, and at each relief valve, stating the set pressure.

8.2.9 In the event of a failure of a cargo tank-installed PRV, a safe means of emergency isolation shall be available:

- .1 Procedures shall be provided and included in the cargo operations manual (see 18.2).
- .2 The procedures shall allow only one of the cargo tank installed PRVs to be isolated.
- .3 Isolation of the PRV shall be carried out under the supervision of the master. This action shall be recorded in the ship's log and a sign posted in the cargo control room, if provided, and at the PRV.

(1) ISO 21013-1:2008 – Cryogenic vessels – Pressure-relief accessories for cryogenic service – part 1: Recloseable pressure-relief valves; and ISO 4126-1; 2004 Safety devices for protection against excessive pressure – part 1 and part 4: Safety valves.

- .4** The tank shall not be loaded until the full relieving capacity is restored.
- 8.2.10** Each PRV installed on a cargo tank shall be connected to a venting system, which shall be:
- .1** so constructed that the discharge will be unimpeded and directed vertically upwards at the exit;
- .2** arranged to minimize the possibility of water or snow entering the vent system;
- .3** arranged such that the height of vent exits shall not be less than B/3 or 6 m, whichever is the greater, above the weather deck; and .4 6 m above working areas and walkways.
- 8.2.11.1** Cargo PRV vent exits shall be arranged at a distance at least equal to B or 25 m, whichever is less, from the nearest air intake, outlet or opening to accommodation spaces, service spaces and control stations, or other non-hazardous areas. For ships less than 90 m in length, smaller distances may be permitted.
- 8.2.11.2** All other vent outlets connected to the cargo containment system shall be arranged at a distance of at least 10 m from the nearest air intake, outlet or opening to accommodation spaces, service spaces and control stations, or other non-hazardous areas.
- 8.2.12** All other cargo vent outlets not dealt with in other sections shall be arranged in accordance with 8.2.10, 8.2.11.1 and 8.2.11.2. Means shall be provided to prevent liquid overflow from vent mast outlets, due to hydrostatic pressure from spaces to which they are connected.
- 8.2.13** If cargoes that react in a dangerous manner with each other are carried simultaneously, a separate pressure relief system shall be fitted for each one.
- 8.2.14** In the vent piping system, means for draining liquid from places where it may accumulate shall be provided. The PRVs and piping shall be arranged so that liquid can, under no circumstances, accumulate in or near the PRVs.
- 8.2.15** Suitable protection screens of not more than 13 mm square mesh shall be fitted on vent outlets to prevent the ingress of extraneous objects without adversely affecting the flow. Other requirements for protection screens apply when carrying specific cargoes (see 17.9 and 17.21).
- 8.2.16** All vent piping shall be designed and arranged not to be damaged by the temperature variations to which it may be exposed, forces due to flow or the ship's motions.
- 8.2.17** PRVs shall be connected to the highest part of the cargo tank above deck level. PRVs shall be positioned on the cargo tank so that they will remain in the vapour phase at the filling limit (FL) as defined in Section 15, under conditions of 15° list and 0.015L trim, where L is defined in 1.2.31.
- 8.2.18** The adequacy of the vent system fitted on tanks loaded in accordance with 15.5.2 shall be demonstrated by the Administration, taking into account the recommendations developed by the Organization **(1)**. A relevant certificate shall be permanently kept on board the ship. For the purposes of this paragraph, vent system means:

(1) Refer to Appendix 6 Guidelines for the Evaluation of the Adequacy of Type-C Tank Vent Systems that is developed based on the resolution A.829(19)).

- .1 the tank outlet and the piping to the PRV;
- .2 the PRV; and
- .3 the piping from the PRVs to the location of discharge to the atmosphere, including any interconnections and piping that joins other tanks.

8.3 Vacuum protection systems

8.3.1 Cargo tanks not designed to withstand a maximum external pressure differential 0.025 MPa, or tanks that cannot withstand the maximum external pressure differential that can be attained at maximum discharge rates with no vapour return into the cargo tanks, or by operation of a cargo refrigeration system, or by thermal oxidation, shall be fitted with:

- .1 two independent pressure switches to sequentially alarm and subsequently stop all suction of cargo liquid or vapour from the cargo tank and refrigeration equipment, if fitted, by suitable means at a pressure sufficiently below the maximum external designed pressure differential of the cargo tank; or
- .2 vacuum relief valves with a gas flow capacity at least equal to the maximum cargo discharge rate per cargo tank, set to open at a pressure sufficiently below the external design differential pressure of the cargo tank.

8.3.2 Subject to the requirements of Section 17, the vacuum relief valves shall admit an inert gas, cargo vapour or air to the cargo tank and shall be arranged to minimize the possibility of the entrance of water or snow. If cargo vapour is admitted, it shall be from a source other than the cargo vapour lines.

8.3.3 The vacuum protection system shall be capable of being tested to ensure that it operates at the prescribed pressure.

8.4 Sizing of pressure relieving system

8.4.1 Sizing of pressure relief valves

PRVs shall have a combined relieving capacity for each cargo tank to discharge the greater of the following, with not more than a 20% rise in cargo tank pressure above the MARVS:

8.4.1.1 The maximum capacity of the cargo tank inerting system, if the maximum attainable working pressure of the cargo tank inerting system exceeds the MARVS of the cargo tanks; or

8.4.1.2 Vapours generated under fire exposure computed using the following formula:

$$Q = FGA^{0.82} \text{ (m}^3\text{/s)},$$

where:

Q = minimum required rate of discharge of air at standard conditions of 273.15 Kelvin (K) and 0.1013 MPa;

F = fire exposure factor for different cargo types as follows:

- 1 for tanks without insulation located on deck;
- 0.5 for tanks above the deck, when insulation is approved by the Administration. Approval will be based on the use of a fireproofing material, the thermal conductance of insulation and its stability under fire exposure;
- 0.5 for uninsulated independent tanks installed in holds;
- 0.2 for insulated independent tanks in holds (or uninsulated independent tanks in insulated holds);
- 0.1 for insulated independent tanks in inerted holds (or uninsulated independent tanks in inerted, insulated holds);
- 0.1 for membrane and semi-membrane tanks. For independent tanks partly protruding through the weather decks, the fire exposure factor shall be determined on the basis of the surface areas above and below deck.

G = gas factor according to formula:

$$G = \frac{12.4}{LD} \sqrt{\frac{ZT}{M}}$$

with:

T = temperature in degrees Kelvin at relieving conditions, i.e. 120% of the pressure at which the pressure relief valve is set;

L = latent heat of the material being vaporized at relieving conditions, in kJ/kg;

D = a constant based on relation of specific heats k and is calculated as follows:

$$D = \sqrt{k \left(\frac{2}{k+1} \right)^{\frac{k+1}{k-1}}}$$

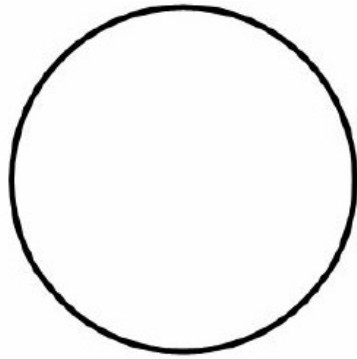
with

k = ratio of specific heats at relieving conditions, and the value of which is between 1 and 2.2. If k is not known, D = 0.606 shall be used;

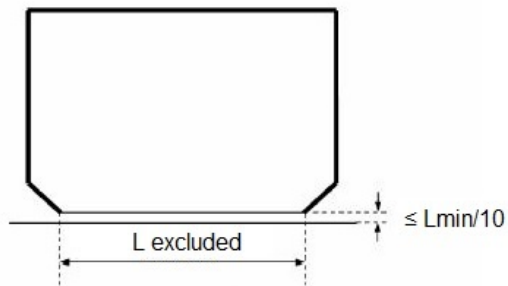
Z = compressibility factor of the gas at relieving conditions. If not known, Z = 1 shall be used; and
M = molecular mass of the product.

The gas factor of each cargo to be carried shall be determined and the highest value shall be used for PRV sizing.

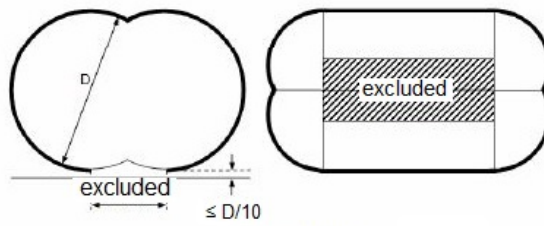
A = external surface area of the tank (m²), as defined in 1.2.14, for different tank types, as shown in figure 8.1.



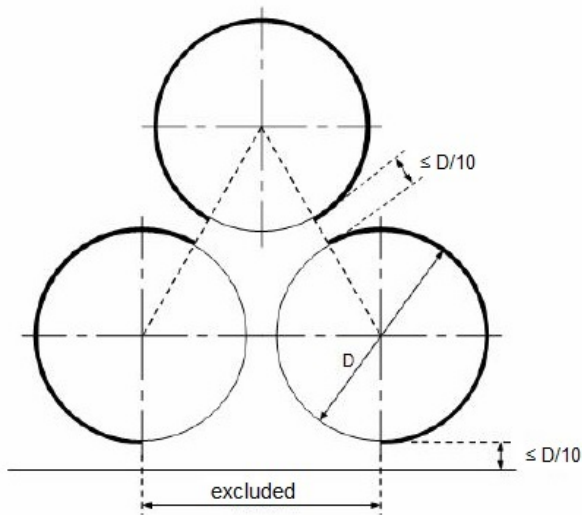
Cylindrical tanks with spherically dished, hemispherical or semi-ellipsoidal heads or spherical tanks



Prismatic tanks



Bilobe tanks



Horizontal cylindrical tanks arrangement

Figure 8.1 External surface area of the tank for different tank types

8.4.1.3 The required mass flow of air at relieving conditions is given by the formula:

$$M_{\text{air}} = Q \rho_{\text{air}} \text{ (kg/s),}$$

where:

density of air (ρ_{air}) = 1.293 kg/m³ (air at 273.15 K, 0.1013 MPa).

8.4.2 Sizing of vent pipe system

Pressure losses upstream and downstream of the PRVs shall be taken into account when determining their size to ensure the flow capacity required by 8.4.1.

8.4.3 Upstream pressure losses

8.4.3.1 The pressure drop in the vent line from the tank to the PRV inlet shall not exceed 3% of the valve set pressure at the calculated flow rate, in accordance with 8.4.1.

8.4.3.2 Pilot-operated PRVs shall be unaffected by inlet pipe pressure losses when the pilot senses directly from the tank dome.

8.4.3.3 Pressure losses in remotely sensed pilot lines shall be considered for flowing type pilots.

8.4.4 Downstream pressure losses

8.4.4.1 Where common vent headers and vent masts are fitted, calculations shall include flow from all attached PRVs.

8.4.4.2 The built-up back pressure in the vent piping from the PRV outlet to the location of discharge to the atmosphere, and including any vent pipe interconnections that join other tanks, shall not exceed the following values:

.1 for unbalanced PRVs: 10% of MARVS;

.2 for balanced PRVs: 30% of MARVS; and

.3 for pilot operated PRVs: 50% of MARVS.

Alternative values provided by the PRV manufacturer may be accepted.

8.4.5 To ensure stable PRV operation, the blow-down shall not be less than the sum of the inlet pressure loss and 0.02 MARVS at the rated capacity.

SECTION 9**CARGO CONTAINMENT SYSTEM ATMOSPHERE CONTROL**

	Page
9.1 ENVIRONMENTAL ATMOSPHERE CONTROL WITHIN THE CARGO CONTAINMENT SYSTEM	9- 2
9.2 ATMOSPHERE CONTROL WITHIN THE HOLD SPACES (CARGO CONTAINMENT SYSTEMS OTHER THAN TYPE C INDEPENDENT TANKS)	9- 2
9.3 ENVIRONMENTAL CONTROL OF SPACES SURROUNDING TYPE C INDEPENDENT TANKS	9- 2
9.4 INERTING	9- 3
9.5 INERT GAS PRODUCTION ON BOARD	9- 3

Goal

To enable monitoring of the integrity of the containment system and to ensure that the atmosphere within the system and hold spaces is maintained in a safe condition at all times that the ship is in service.

9.1 Atmosphere control within the cargo containment system

9.1.1 A piping system shall be arranged to enable each cargo tank to be safely gas-freed, and to be safely filled with cargo vapour from a gas-free condition. The system shall be arranged to minimize the possibility of pockets of gas or air remaining after changing the atmosphere.

9.1.2 For flammable cargoes, the system shall be designed to eliminate the possibility of a flammable mixture existing in the cargo tank during any part of the atmosphere change operation by utilizing an inerting medium as an intermediate step.

9.1.3 Piping systems that may contain flammable cargoes shall comply with 9.1.1 and 9.1.2.

9.1.4 A sufficient number of gas sampling points shall be provided for each cargo tank and cargo piping system to adequately monitor the progress of atmosphere change. Gas sampling connections shall be fitted with a single valve above the main deck, sealed with a suitable cap or blank (see 5.6.5.5).

9.1.5 Inert gas utilized in these procedures may be provided from the shore or from the ship.

9.2 Atmosphere control within the hold spaces (cargo containment systems other than type C independent tanks)

9.2.1 Interbarrier and hold spaces associated with cargo containment systems for flammable gases requiring full or partial secondary barriers shall be inerted with a suitable dry inert gas and kept inerted with make-up gas provided by a shipboard inert gas generation system, or by shipboard storage, which shall be sufficient for normal consumption for at least 30 days.

9.2.2 Alternatively, subject to the restrictions specified in chapter 17, the spaces referred to in 9.2.1 requiring only a partial secondary barrier may be filled with dry air provided that the ship maintains a stored charge of inert gas or is fitted with an inert gas generation system sufficient to inert the largest of these spaces, and provided that the configuration of the spaces and the relevant vapour detection systems, together with the capability of the inerting arrangements, ensures that any leakage from the cargo tanks will be rapidly detected and inerting effected before a dangerous condition can develop. Equipment for the provision of sufficient dry air of suitable quality to satisfy the expected demand shall be provided.

9.2.3 For non-flammable gases, the spaces referred to in 9.2.1 and 9.2.2 may be maintained with a suitable dry air or inert atmosphere.

9.3 Environmental control of spaces surrounding type C independent tanks

Spaces surrounding cargo tanks that do not have secondary barriers shall be filled with suitable dry inert gas or dry air and be maintained in this condition with make-up inert gas provided by a shipboard inert gas generation system, shipboard storage of inert gas, or with dry air provided by suitable air drying equipment. If the cargo is carried at ambient temperature, the requirement for dry air or inert gas is not applicable.

9.4 Inerting

9.4.1 Inerting refers to the process of providing a non-combustible environment. Inert gases shall be compatible chemically and operationally at all temperatures likely to occur within the spaces and the cargo. The dew points of the gases shall be taken into consideration.

9.4.2 Where inert gas is also stored for firefighting purposes, it shall be carried in separate containers and shall not be used for cargo services.

9.4.3 Where inert gas is stored at temperatures below 0°C, either as a liquid or as a vapour, the storage and supply system shall be designed so that the temperature of the ship's structure is not reduced below the limiting values imposed on it.

9.4.4 Arrangements to prevent the backflow of cargo vapour into the inert gas system that are suitable for the cargo carried, shall be provided. If such plants are located in machinery spaces or other spaces outside the cargo area, two non-return valves or equivalent devices and, in addition, a removable spool piece shall be fitted in the inert gas main in the cargo area. When not in use, the inert gas system shall be made separate from the cargo system in the cargo area except for connections to the hold spaces or interbarrier spaces.

9.4.5 The arrangements shall be such that each space being inerted can be isolated and the necessary controls and relief valves, etc., shall be provided for controlling pressure in these spaces.

9.4.6 Where insulation spaces are continually supplied with an inert gas as part of a leak detection system, means shall be provided to monitor the quantity of gas being supplied to individual spaces.

9.5 Inert gas production on board

9.5.1 The equipment shall be capable of producing inert gas with an oxygen content at no time greater than 5% by volume, subject to the special requirements of Section 17. A continuous-reading oxygen content meter shall be fitted to the inert gas supply from the equipment and shall be fitted with an alarm set at a maximum of 5% oxygen content by volume, subject to the requirements of Section 17.

9.5.2 An inert gas system shall have pressure controls and monitoring arrangements appropriate to the cargo containment system.

9.5.3 Spaces containing inert gas generation plants shall have no direct access to accommodation spaces, service spaces or control stations, but may be located in machinery spaces. Inert gas piping shall not pass through accommodation spaces, service spaces or control stations.

9.5.4 Combustion equipment for generating inert gas shall not be located within the cargo area. Special consideration may be given to the location of inert gas generating equipment using a catalytic combustion process.

Note:

Gas carriers built also to carry oil with flashpoint less than 60°C shall comply with the inert gas requirements of SOLAS as for oil tankers, Chapter 4 Section 20 or for Chemical Tankers, Chapter 8.

For further reference, see IACS Unified Requirements F20 on inert gas systems. Requirements for nitrogen generator systems: F20.3.3, F20.4.4, F20.4.5, F20.4.6, F20.4.9, F20.4.11, F20.4.12, F20.4.14, F20.4.15, F20.4.16, F20.4.17, F20.4.18, F20.5.3, and for nitrogen membrane systems the following requirements applies: F20.4.8, F20.4.10, F20.4.13, F20.4.16 (1-4), F20.4.17, and F20.4.18.

SECTION 10**ELECTRIC INSTALLATIONS**

	Page
10.1 DEFINITIONS	10- 2
10.2 GENERAL REQUIREMENTS	10- 2
10.3 BONDING	10- 3

Goal

To ensure that electrical installations are designed such as to minimize the risk of fire and explosion from flammable products, and that electrical generation and distribution systems relating to the safe carriage, handling and conditioning of cargo liquid and vapour are available.

10.1 Definitions

For the purpose of this section, unless expressly provided otherwise, the definitions below shall apply.

10.1.1 Hazardous area is an area in which an explosive gas atmosphere is or may be expected to be present, in quantities such as to require special precautions for the construction, installation and use of electrical apparatus **(1)**.

10.1.1.1 Zone 0 hazardous area is an area in which an explosive gas atmosphere is present continuously or is present for long periods.

10.1.1.2 Zone 1 hazardous area is an area in which an explosive gas atmosphere is likely to occur in normal operation.

10.1.1.3 Zone 2 hazardous area is an area in which an explosive gas atmosphere is not likely to occur in normal operation and, if it does occur, is likely to do so infrequently and for a short period only.

10.1.2 Non-hazardous area is an area in which an explosive gas atmosphere is not expected to be present in quantities such as to require special precautions for the construction, installation and use of electrical apparatus.

10.2 General requirements

10.2.1 Electrical installations shall be such as to minimize the risk of fire and explosion from flammable products.

10.2.2 Electrical installations shall be in accordance with TL Rules Part B Chapter 5 Electrical Installations and recognized standards **(2)**.

10.2.3 Electrical equipment or wiring shall not be installed in hazardous areas, unless essential for operational purposes or safety enhancement.

10.2.4 Where electrical equipment is installed in hazardous areas as provided in 10.2.3, it shall be selected, installed and maintained in accordance with standards not inferior to those acceptable to the Organization. Equipment for hazardous areas shall be evaluated and certified or listed by an accredited testing authority or notified body recognized by the Administration. Automatic isolation of non-certified equipment on detection of a flammable gas shall not be accepted as an alternative to the use of certified equipment.

(1) *Examples of hazardous area zoning may be found in the International Electrotechnical Commission publication IEC 60092-502 Electrical Installation in Ships – Tankers.*

(2) *Refer to the recommendation published by the International Electrotechnical Commission in particular to publication IEC 60092-502.*

10.2.5 To facilitate the selection of appropriate electrical apparatus and the design of suitable electrical installations, hazardous areas are divided into zones in accordance with recognized standards.

10.2.6 Electrical generation and distribution systems, and associated control systems shall be designed such that a single fault will not result in the loss of ability to maintain cargo tank pressures, as required by 7.8.1, and hull structure temperature, as required by 4.19.1.6, within normal operating limits. Failure modes and effects shall be analysed and documented to a standard not inferior to those acceptable to the Administration **(1)**.

10.2.7 The lighting system in hazardous areas shall be divided between at least two branch circuits. All switches and protective devices shall interrupt all poles or phases and shall be located in a non-hazardous area.

10.2.8 Electrical depth sounding or log devices and impressed current cathodic protection system anodes or electrodes shall be housed in gastight enclosures.

10.2.9 Submerged cargo pump motors and their supply cables may be fitted in cargo containment systems. Arrangements shall be made to automatically shut down the motors in the event of low-liquid level. This may be accomplished by sensing low pump discharge pressure, low motor current or low liquid level. This shutdown shall be alarmed at the cargo control station. Cargo pump motors shall be capable of being isolated from their electrical supply during gas-freeing operations.

10.3 Bonding

Independent cargo tanks are to be electrically bonded to the hull. All gasketed cargo pipe joints and hose connections are to be electrically bonded. (See also 5.7.4)

(1) IEC 60812, Edition 2.0 2006-01 "Analysis techniques for system reliability – Procedure for failure mode and effects analysis (FMEA)".

SECTION 11**FIRE PROTECTION AND EXTINCTION**

	Page
11.1 FIRE SAFETY REQUIREMENTS	11- 2
11.2 FIRE MAIN AND HYDRANTS	11- 2
11.3 WATER SPRAY SYSTEM	11- 3
11.4 DRY CHEMICAL POWDER FIRE-EXTINGUISHING SYSTEMS	11- 5
11.5 ENCLOSED SPACES CONTAINING CARGO HANDLING EQUIPMENT	11- 6
11.6 FIREFIGHTER'S OUTFITS	11- 6

Goal

To ensure that suitable systems are provided to protect the ship and crew from fire in the cargo area.

11.1 Fire safety requirements

11.1.1 The requirements for tankers in SOLAS chapter II-2 **(1)** shall apply to ships covered by the Code, irrespective of tonnage including ships of less than 500 gross tonnage, except that:

- .1 regulations 4.5.1.6 and 4.5.10 do not apply;
- .2 regulations 10.4 and 10.5 shall apply as they would apply to tankers of 2,000 gross tonnage and over;
- .3 regulation 10.5.6 shall apply to ships of 2,000 gross tonnage and over;
- .4 the following regulations of SOLAS chapter II-2 related to tankers do not apply and are replaced by chapters and sections of the Code as detailed below:

Regulation	Replaced by
10.10	11.6
4.5.1.1 and 4.5.1.2	Section 3
4.5.5	Relevant sections in the Code
10.8	11.3 and 11.4
10.9	11.5
10.2	11.2.1 to 11.2.45

- .5 regulations 13.3.4 and 13.4.3 shall apply to ships of 500 gross tonnage and over.

11.1.2 All sources of ignition shall be excluded from spaces where flammable vapour may be present, except as otherwise provided in chapters 10 and 16.

11.1.3 The provisions of this section shall apply in conjunction with Section 3.

11.1.4 For the purposes of firefighting, any weather deck areas above cofferdams, ballast or void spaces at the after end of the aftermost hold space or at the forward end of the forwardmost hold space shall be included in the cargo area.

11.2 Fire mains and hydrants

11.2.1 Irrespective of size, ships carrying products that are subject to the Code shall comply with the requirements of regulation II-2/10.2 of the SOLAS Convention, as applicable to cargo ships, except that the required fire pump capacity and fire main and water service pipe diameter shall not be limited by the provisions of regulations II-2/10.2.2.4.1 and II-2/10.2.1.3, when a fire pump is used to supply the water-spray system, as permitted by 11.3.3 of the Code. **(2)**

(1) The structural fire protection provisions of Chapter II-2 of the **1974 SOLAS Convention**, applicable to liquefied gas carriers, are given in Chapter 1 – Hull- Section 21

(2) Regarding Regulations 4.2.1 and 4.4.1 of Chapter II-2 of the **1974 SOLAS Convention** see Chapter 4 – Machinery- Section 18, E.1 and E.2

The capacity of this fire pump shall be such that these areas can be protected when simultaneously supplying two jets of water from fire hoses with 19 mm nozzles at a pressure of at least 0.5 MPa.

11.2.2 The arrangements shall be such that at least two jets of water can reach any part of the deck in the cargo area and those portions of the cargo containment system and tank covers that are above the deck. The necessary number of fire hydrants shall be located to satisfy the above arrangements and to comply with the requirements of regulations II-2/10.2.1.5.1 and II-2/10.2.3.3 of the SOLAS Convention, with hose lengths as specified in regulation II-2/10.2.3.1.1 **(1)**. In addition, the requirements of regulation II-2/10.2.1.6 shall be met at a pressure of at least 0.5 MPa gauge.

11.2.3 Stop valves shall be fitted in any crossover provided and in the fire main or mains in a protected location, before entering the cargo area and at intervals ensuring isolation of any damaged single section of the fire main, so that 11.2.2 can be complied with using not more than two lengths of hoses from the nearest fire hydrant. The water supply to the fire main serving the cargo area shall be a ring main supplied by the main fire pumps or a single main supplied by fire pumps positioned fore and aft of the cargo area, one of which shall be independently driven.

11.2.4 Nozzles shall be of an approved dual-purpose type (i.e. spray/jet type) incorporating a shutoff.

11.2.5 After installation, the pipes, valves, fittings and assembled system shall be subject to a tightness and function test.

11.3 Water-spray system

11.3.1 On ships carrying flammable and/or toxic products, a water-spray system, for cooling, fire prevention and crew protection shall be installed to cover:

- .1 exposed cargo tank domes, any exposed parts of cargo tanks and any part of cargo tank covers that may be exposed to heat from fires in adjacent equipment containing cargo such as exposed booster pumps/heaters/re-gasification or re-liquefaction plants, hereafter addressed as gas process units, positioned on weather decks;
- .2 exposed on-deck storage vessels for flammable or toxic products;
- .3 gas process units positioned on deck;
- .4 cargo liquid and vapour discharge and loading connections, including the presentation flange and the area where their control valves are situated, which shall be at least equal to the area of the drip trays provided;
- .5 all exposed emergency shut-down (ESD) valves in the cargo liquid and vapour pipes, including the master valve for supply to gas consumers;
- .6 exposed boundaries facing the cargo area, such as bulkheads of superstructures and deckhouses normally manned, cargo machinery spaces, store-rooms containing high fire-risk items and cargo control rooms. Exposed horizontal boundaries of these areas do not require protection unless detachable cargo piping connections are arranged above or below. Boundaries of unmanned forecastle structures not containing high fire-risk items or equipment do not require water-spray protection;

(1) *Regarding Regulations II-2/4.5.1 and II- 2/4.8 of the 1974 SOLAS Convention see also Chapter 4 – Machinery-Section 18, E.2.3 and E.2.5.*

- .7 exposed lifeboats, liferafts and muster stations facing the cargo area, regardless of distance to cargo area; and
- .8 any semi-enclosed cargo machinery spaces and semi-enclosed cargo motor room.

Ships intended for operation as listed in 1.1.10 shall be subject to special consideration (see 11.3.3.2).

11.3.2.1 The system shall be capable of covering all areas mentioned in 11.3.1.1 to 11.3.1.8, with a uniformly distributed water application rate of at least 10 ℓ/m²/min for the largest projected horizontal surfaces and 4 ℓ/m²/min for vertical surfaces. For structures having no clearly defined horizontal or vertical surface, the capacity of the water-spray system shall not be less than the projected horizontal surface multiplied by 10 ℓ/m²/min.

11.3.2.2 On vertical surfaces, spacing of nozzles protecting lower areas may take account of anticipated rundown from higher areas. Stop valves shall be fitted in the main supply line(s) in the water-spray system, at intervals not exceeding 40 m, for the purpose of isolating damaged sections. Alternatively, the system may be divided into two or more sections that may be operated independently, provided the necessary controls are located together in a readily accessible position outside the cargo area. A section protecting any area included gas process unit(s) included in 11.3.1.3 may be served by an independent section.

11.3.3 The capacity of the water-spray pumps shall be capable of simultaneous protection of the greater of the following:

- .1 any two complete athwartship tank groupings, including any gas process units within these areas; or
- .2 for ships intended for operation as listed in 1.1.10, necessary protection subject to special consideration under 11.3.1 of any added fire hazard and the adjacent athwartship tank grouping,

in addition to surfaces specified in 11.3.1.4 to 11.3.1.8. Alternatively, the main fire pumps may be used for this service, provided that their total capacity is increased by the amount needed for the water-spray system. In either case, a connection, through a stop valve, shall be made between the fire main and water-spray system main supply line outside the cargo area.

11.3.4 The boundaries of superstructures and deckhouses normally manned, and lifeboats, liferafts and muster areas facing the cargo area, shall also be capable of being served by one of the fire pumps or the emergency fire pump, if a fire in one compartment could disable both fire pumps.

11.3.5 Water pumps normally used for other services may be arranged to supply the water-spray system main supply line.

11.3.6 All pipes, valves, nozzles and other fittings in the water-spray system shall be resistant to corrosion by seawater. Piping, fittings and related components within the cargo area (except gaskets) shall be designed to withstand 925°C. The water-spray system shall be arranged with in-line filters to prevent blockage of pipes and nozzles. In addition, means shall be provided to back-flush the system with fresh water.

11.3.7 Remote starting of pumps supplying the water-spray system and remote operation of any normally closed valves in the system shall be arranged in suitable locations outside the cargo area, adjacent to the accommodation spaces and readily accessible and operable in the event of fire in the protected areas.

11.3.8 After installation, the pipes, valves, fittings and assembled system shall be subject to a tightness and function test.

11.4 Dry chemical powder fire-extinguishing systems

11.4.1 Ships in which the carriage of flammable products is intended shall be fitted with fixed dry chemical powder fire-extinguishing systems, approved by the Administration based on the guidelines developed by the Organization **(1)**, for the purpose of firefighting on the deck in the cargo area, including any cargo liquid and vapour discharge and loading connections on deck and bow or stern cargo handling areas, as applicable.

Note: Drawings of the system and details of the dry chemical powder are to be submitted to the Society for approval.

11.4.2 The system shall be capable of delivering powder from at least two hand hose lines, or a combination of monitor/hand hose lines, to any part of the exposed cargo liquid and vapour piping, load/unload connection and exposed gas process units.

11.4.3 The dry chemical powder fire-extinguishing system shall be designed with not less than two independent units. Any part required to be protected by 11.4.2 shall be capable of being reached from not less than two independent units with associated controls, pressurizing medium fixed piping, monitors or hand hose lines. For ships with a cargo capacity of less than 1,000 m³, only one such unit need be fitted. A monitor shall be arranged to protect any load/unload connection area and be capable of actuation and discharge both locally and remotely. The monitor is not required to be remotely aimed, if it can deliver the necessary powder to all required areas of coverage from a single position. One hose line shall be provided at both port- and starboard side at the end of the cargo area facing the accommodation and readily available from the accommodation.

11.4.4 The capacity of a monitor shall be not less than 10 kg/s. Hand hose lines shall be non-kinkable and be fitted with a nozzle capable of on/off operation and discharge at a rate not less than 3.5 kg/s. The maximum discharge rate shall allow operation by one man. The length of a hand hose line shall not exceed 33 m. Where fixed piping is provided between the powder container and a hand hose line or monitor, the length of piping shall not exceed that length which is capable of maintaining the powder in a fluidized state during sustained or intermittent use, and which can be purged of powder when the system is shut down. Hand hose lines and nozzles shall be of weather-resistant construction or stored in weather resistant housing or covers and be readily accessible.

11.4.5 Hand hose lines shall be considered to have a maximum effective distance of coverage equal to the length of hose. Special consideration shall be given where areas to be protected are substantially higher than the monitor or hand hose reel locations.

11.4.6 Ships fitted with bow/stern load/unload connections shall be provided with independent dry powder unit protecting the cargo liquid and vapour piping, aft or forward of the cargo area, by hose lines and a monitor covering the bow/stern load/unload complying with the requirements of 11.4.1 to 11.4.5.

11.4.7 Ships intended for operation as listed in 1.1.10 shall be subject to special consideration.

(1) Refer to the Guidelines for the approval of fixed dry chemical powder fire-extinguishing systems for the protection of ships carrying liquefied gases in bulk (MSC.1/Circ.1315).

11.4.8 After installation, the pipes, valves, fittings and assembled systems shall be subjected to a tightness test and functional testing of the remote and local release stations. The initial testing shall also include a discharge of sufficient amounts of dry chemical powder to verify that the system is in proper working order. All distribution piping shall be blown through with dry air to ensure that the piping is free of obstructions.

11.5 Enclosed spaces containing cargo handling equipment

11.5.1 Enclosed spaces meeting the criteria of cargo machinery spaces in 1.2.10, and the cargo motor room within the cargo area of any ship, shall be provided with a fixed fire-extinguishing system complying with the provisions of the FSS Code and taking into account the necessary concentrations/application rate required for extinguishing gas fires.

11.5.2 Enclosed spaces meeting the criteria of cargo machinery spaces in Section 3.3, within the cargo area of ships that are dedicated to the carriage of a restricted number of cargoes, shall be protected by an appropriate fire-extinguishing system for the cargo carried.

11.5.3 Turret compartments of any ship shall be protected by internal water spray, with an application rate of not less than 10 $\ell/m^2/min$ of the largest projected horizontal surface. If the pressure of the gas flow through the turret exceeds 4 MPa, the application rate shall be increased to 20 $\ell/m^2/min$. The system shall be designed to protect all internal surfaces.

11.6 Firefighter's outfits (1)

11.6.1 Every ship carrying flammable products shall carry firefighter's outfits complying with the requirements of regulation II-2/10.10 of the SOLAS Convention, as follows:

Total cargo capacity	Number of outfits
5,000 m ³ and below	4
above 5,000 m ³	5

11.6.2 Additional requirements for safety equipment are given in Section 14.

11.6.3 Any breathing apparatus required as part of a firefighter's outfit shall be a self-contained compressed air-operated breathing apparatus having a capacity of at least 1,200 ℓ of free air.

(1) See also Section 1, A.5

SECTION 12

ARTIFICIAL VENTILATION IN THE CARGO AREA

	Page
12.1 SPACES REQUIRED TO BE ENTERED DURING NORMAL CARGO HANDLING OPERATIONS	12- 2
12.2 SPACES NOT NORMALLY ENTERED.....	12- 3

Goal

To ensure that arrangements are provided for enclosed spaces in the cargo area to control the accumulation of flammable and/or toxic vapours.

Scope

The requirements of this section replace the requirements of SOLAS regulations II-2/4.5.2.6 and 4.5.4.1, as amended.

12.1 Spaces required to be entered during normal cargo handling operations

12.1.1 Electric motor rooms, cargo compressor and pump-rooms, spaces containing cargo handling equipment and other enclosed spaces where cargo vapours may accumulate shall be fitted with fixed artificial ventilation systems capable of being controlled from outside such spaces. The ventilation shall be run continuously to prevent the accumulation of toxic and/or flammable vapours, with a means of monitoring acceptable to the Administration to be provided. A warning notice requiring the use of such ventilation prior to entering shall be placed outside the compartment.

12.1.2 Artificial ventilation inlets and outlets shall be arranged to ensure sufficient air movement through the space to avoid accumulation of flammable, toxic or asphyxiant vapours, and to ensure a safe working environment.

12.1.3 The ventilation system shall have a capacity of not less than 30 changes of air per hour, based upon the total volume of the space. As an exception, non-hazardous cargo control rooms may have eight changes of air per hour.

12.1.4 Where a space has an opening into an adjacent more hazardous space or area, it shall be maintained at an overpressure. It may be made into a less hazardous space or non-hazardous space by overpressure protection in accordance with recognized standards.

12.1.5 Ventilation ducts, air intakes and exhaust outlets serving artificial ventilation systems shall be positioned in accordance with recognized standards **(1)**.

12.1.6 Ventilation ducts serving hazardous areas shall not be led through accommodation, service and machinery spaces or control stations, except as allowed in Section 16.

12.1.7 Electric motors' driving fans shall be placed outside the ventilation ducts that may contain flammable vapours. Ventilation fans shall not produce a source of ignition in either the ventilated space or the ventilation system associated with the space. For hazardous areas, ventilation fans and ducts, adjacent to the fans, shall be of non-sparking construction, as defined below:

- .1 impellers or housing of non-metallic construction, with due regard being paid to the elimination of static electricity;
- .2 impellers and housing of non-ferrous materials;
- .3 impellers and housing of austenitic stainless steel; and

(1) Refer to the recommendation published by the International Electrotechnical Commission, in particular, to publication IEC 60092-502:1999.

.4 ferrous impellers and housing with design tip clearance of not less than 13 mm.

Any combination of an aluminium or magnesium alloy fixed or rotating component and a ferrous fixed or rotating component, regardless of tip clearance, is considered a sparking hazard and shall not be used in these places.

12.1.8 Where fans are required by this section, full required ventilation capacity for each space shall be available after failure of any single fan, or spare parts shall be provided comprising a motor, starter spares and complete rotating element, including bearings of each type.

12.1.9 Protection screens of not more than 13 mm square mesh shall be fitted to outside openings of ventilation ducts.

12.1.10 Where spaces are protected by pressurization, the ventilation shall be designed and installed in accordance with recognized standards **(1)**.

12.2 Spaces not normally entered

12.2.1 Enclosed spaces where cargo vapours may accumulate shall be capable of being ventilated to ensure a safe environment when entry into them is necessary. This shall be capable of being achieved without the need for prior entry.

12.2.2 For permanent installations, the capacity of 8 air changes per hour shall be provided and for portable systems **(2)**, the capacity of 16 air changes per hour.

12.2.3 Fans or blowers shall be clear of personnel access openings, and shall comply with 12.1.7.

Note: A dry air generation plant, if installed in accordance with Section 9, may also be used for ventilation purposes, provided the plant is equipped with an appropriate system.

(1) Refer to the recommendation published by the International Electrotechnical Commission, in particular, to publication IEC 60092-502.

(2) A lower capacity may be accepted for hold spaces surrounding independent tanks after special consideration.

SECTION 13**INSTRUMENTATION AND AUTOMATION SYSTEMS**

	Page
13.1 GENERAL	13- 2
13.2 LEVEL INDICATORS FOR CARGO TANKS	13- 2
13.3 OVERFLOW CONTROL	13- 3
13.4 PRESSURE MONITORING	13- 3
13.5 TEMPERATURE INDICATING DEVICES	13- 4
13.6 GAS DETECTION	13- 4
13.7 ADDITIONAL REQUIREMENTS FOR CONTAINMENT SYSTEMS REQUIRING A SECONDARY BARRIER GAS DETECTION	13- 7
13.8 AUTOMATION SYSTEMS	13- 8
13.9 SYSTEM INTEGRATION	13- 8

Goal

To ensure that the instrumentation and automation systems provides for the safe carriage, handling and conditioning of cargo liquid and vapour.

13.1 General

13.1.1 Each cargo tank shall be provided with a means for indicating level, pressure and temperature of the cargo. Pressure gauges and temperature indicating devices shall be installed in the liquid and vapour piping systems, in cargo refrigeration installations.

13.1.2 If loading and unloading of the ship is performed by means of remotely controlled valves and pumps, all controls and indicators associated with a given cargo tank shall be concentrated in one control position.

13.1.3 Instruments shall be tested to ensure reliability under the working conditions, and recalibrated at regular intervals. Test procedures for instruments and the intervals between recalibration shall be in accordance with manufacturer's recommendations.

13.2 Level indicators for cargo tanks

13.2.1 Each cargo tank shall be fitted with liquid level gauging device(s), arranged to ensure that a level reading is always obtainable whenever the cargo tank is operational. The device(s) shall be designed to operate throughout the design pressure range of the cargo tank and at temperatures within the cargo operating temperature range.

13.2.2 Where only one liquid level gauge is fitted, it shall be arranged so that any necessary maintenance can be performed in an operational condition without the need to empty or gas-free the tank.

Note: In order to assess whether or not one level gauge is acceptable in relation to 13.2.2 "any necessary maintenance" means that any part of the level gauge can be overhauled while the cargo tank is in service.

13.2.3 Cargo tank liquid level gauges may be of the following types, subject to special requirements for particular cargoes shown in column "g" in the table of Section 19:

- .1 indirect devices, which determine the amount of cargo by means such as weighing or in-line flow metering;
- .2 closed devices which do not penetrate the cargo tank, such as devices using radio-isotopes or ultrasonic devices;
- .3 closed devices which penetrate the cargo tank, but which form part of a closed system and keep the cargo from being released, such as float type systems, electronic probes, magnetic probes and bubble tube indicators. If closed gauging device is not mounted directly onto the tank, it shall be provided with a shutoff valve located as close as possible to the tank; and
- .4 restricted devices which penetrate the tank and, when in use, permit a small quantity of cargo vapour or liquid to escape to the atmosphere, such as fixed tube and slip tube gauges. When not in use, the devices shall be kept completely closed. The design and installation shall ensure that no dangerous escape of cargo can take

place when opening the device. Such gauging devices shall be so designed that the maximum opening does not exceed 1.5 mm diameter or equivalent area, unless the device is provided with an excess flow valve.

13.3 Overflow control

13.3.1 Except as provided in 13.3.4, each cargo tank shall be fitted with a high liquid level alarm operating independently of other liquid level indicators and giving an audible and visual warning when activated.

13.3.2 An additional sensor operating independently of the high liquid level alarm shall automatically actuate a shutoff valve in a manner that will both avoid excessive liquid pressure in the loading line and prevent the tank from becoming liquid full.

13.3.3 The emergency shutdown valve referred to in 5.5 and 18.10 may be used for this purpose. If another valve is used for this purpose, the same information as referred to in 18.10.2.1.3 shall be available on board. During loading, whenever the use of these valves may possibly create a potential excess pressure surge in the loading system, alternative arrangements such as limiting the loading rate shall be used.

Notes:

The closing time of the closing valve is to be changeable.

The sensor for automatic closing of the loading valve for overflow control as required in 13.3.2 may be combined with the liquid level indicators required by 13.2.1.

13.3.4 A high liquid level alarm and automatic shut-off of cargo tank filling need not be required, when the cargo tank:

- .1 is a pressure tank with a volume not more than 200 m³; or
- .2 is designed to withstand the maximum possible pressure during the loading operation, and such pressure is below that of the set pressure of the cargo tank relief valve.

13.3.5 The position of the sensors in the tank shall be capable of being verified before commissioning. At the first occasion of full loading after delivery and after each dry-docking, testing of high-level alarms shall be conducted by raising the cargo liquid level in the cargo tank to the alarm point.

13.3.6 All elements of the level alarms, including the electrical circuit and the sensor(s), of the high, and overflow alarms, shall be capable of being functionally tested. Systems shall be tested prior to cargo operation in accordance with 18.6.2.

13.3.7 Where arrangements are provided for overriding the overflow control system, they shall be such that inadvertent operation is prevented. When this override is operated, continuous visual indication shall be given at the relevant control station(s) and the navigation bridge.

13.4 Pressure monitoring

13.4.1 The vapour space of each cargo tank shall be provided with a direct reading gauge. Additionally, an indirect indication shall be provided at the control position required by 13.1.2. Maximum and minimum allowable pressures shall be clearly indicated.

Note: Common read-outs of the pressure sensors on the bridge are acceptable.

13.4.2 A high-pressure alarm and, if vacuum protection is required, a low-pressure alarm shall be provided on the navigation bridge and at the control position required by 13.1.2. Alarms shall be activated before the set pressures are reached.

13.4.3 For cargo tanks fitted with PRVs which can be set at more than one set pressure in accordance with 8.2.7, high-pressure alarms shall be provided for each set pressure.

13.4.4 Each cargo-pump discharge line and each liquid and vapour cargo manifold shall be provided with at least one pressure indicator.

13.4.5 Local-reading manifold pressure indication shall be provided to indicate the pressure between ship's manifold valves and hose connections to the shore.

13.4.6 Hold spaces and interbarrier spaces without open connection to the atmosphere shall be provided with pressure indication.

13.4.7 All pressure indications provided shall be capable of indicating throughout the operating pressure range.

13.5 Temperature indicating devices

13.5.1 Each cargo tank shall be provided with at least two devices for indicating cargo temperatures, one placed at the bottom of the cargo tank and the second near the top of the tank, below the highest allowable liquid level. The lowest temperature for which the cargo tank has been designed, as shown on the International Certificate of Fitness for the Carriage of Liquefied Gases in Bulk required by 1.4.4, shall be clearly indicated by means of a sign on or near the temperature indicating devices.

13.5.2 The temperature indicating devices shall be capable of providing temperature indication across the expected cargo operating temperature range of the cargo tanks.

13.5.3 Where thermowells are fitted, they shall be designed to minimize failure due to fatigue in normal service.

13.6 Gas detection

13.6.1 Gas detection equipment shall be installed to monitor the integrity of the cargo containment, cargo handling and ancillary systems, in accordance with this section.

13.6.2 A permanently installed system of gas detection and audible and visual alarms shall be fitted in **(1)**:

.1 all enclosed cargo and cargo machinery spaces (including turrets compartments) containing gas piping, gas equipment or gas consumers;

(1) *Also for hold spaces containing type C cargo tanks a permanently installed gas detection system is recommended.*

- .2 other enclosed or semi-enclosed spaces where cargo vapours may accumulate, including interbarrier spaces and hold spaces for independent tanks other than type C tanks;
- .3 airlocks;
- .4 spaces in gas-fired internal combustion engines, referred to in 16.7.3.3;
- .5 ventilation hoods and gas ducts required by Section 16;
- .6 cooling/heating circuits, as required by 7.8.4;
- .7 inert gas generator supply headers; and
- .8 motor rooms for cargo handling machinery.

13.6.3 Gas detection equipment shall be designed, installed and tested in accordance with recognized standards **(1)** and shall be suitable for the cargoes to be carried in accordance with column "f" in table of Section 19.

13.6.4 Where indicated in column "f" in the table of Section 19 ships certified for carriage of non-flammable products, oxygen deficiency monitoring shall be fitted in cargo machinery spaces and cargo tank hold spaces. Furthermore, oxygen deficiency monitoring equipment shall be installed in enclosed or semi-enclosed spaces containing equipment that may cause an oxygen-deficient environment such as nitrogen generators, inert gas generators or nitrogen cycle refrigerant systems.

13.6.5 In the case of toxic products or both toxic and flammable products, except when column "i" in the table of Section 19 refers to 17.5.3, portable equipment can be used for the detection of toxic products as an alternative to a permanently installed system. This equipment shall be used prior to personnel entering the spaces listed in 13.6.2 and at 30-minute intervals while they remain in the space.

13.6.6 In the case of gases classified as toxic products, hold spaces and interbarrier spaces shall be provided with a permanently installed piping system for obtaining gas samples from the spaces. Gas from these spaces shall be sampled and analysed from each sampling head location.

13.6.7 Permanently installed gas detection shall be of the continuous detection type, capable of immediate response. Where not used to activate safety shutdown functions required by 13.6.9 and Section 16, sampling type detection may be accepted.

13.6.8 When sampling type gas detection equipment is used, the following requirements shall be met:

- .1 the gas detection equipment shall be capable of sampling and analysing for each sampling head location sequentially at intervals not exceeding 30 min;
- .2 individual sampling lines from sampling heads to the detection equipment shall be fitted; and

(1) IEC 60079-29-1 – Explosive atmospheres – Gas detectors – Performance requirements of detectors for flammable gases.

- .3 pipe runs from sampling heads shall not be led through non-hazardous spaces except as permitted by 13.6.9.

Note: Commutation of sampling shall be carried out close to the detection cell.

13.6.9 The gas detection equipment may be located in a non-hazardous space, provided that the detection equipment such as sample piping, sample pumps, solenoids and analysing units are located in a fully enclosed steel cabinet with the door sealed by a gasket. The atmosphere within the enclosure shall be continuously monitored. At gas concentrations above 30% lower flammable limit (LFL) inside the enclosure, the gas detection equipment shall be automatically shut down.

13.6.10 Where the enclosure cannot be arranged directly on the forward bulkhead, sample pipes shall be of steel or equivalent material and be routed on their shortest way. Detachable connections, except for the connection points for isolating valves required in 13.6.11 and analysing units, are not permitted.

13.6.11 When gas sampling equipment is located in a non-hazardous space, a flame arrester and a manual isolating valve shall be fitted in each of the gas sampling lines. The isolating valve shall be fitted on the non-hazardous side.

Bulkhead penetrations of sample pipes between hazardous and non-hazardous areas shall maintain the integrity of the division penetrated. The exhaust gas shall be discharged to the open air in a non-hazardous area.

13.6.12 In every installation, the number and the positions of detection heads shall be determined with due regard to the size and layout of the compartment, the compositions and densities of the products intended to be carried and the dilution from compartment purging or ventilation and stagnant areas.

13.6.13 Any alarms status within a gas detection system required by this section shall initiate an audible and visible alarm:

- .1 on the navigation bridge;
- .2 at the relevant control station(s) where continuous monitoring of the gas levels is recorded; and
- .3 at the gas detector readout location.

13.6.14 In the case of flammable products, the gas detection equipment provided for hold spaces and interbarrier spaces that are required to be inerted shall be capable of measuring gas concentrations of 0% to 100% by volume.

13.6.15 Alarms shall be activated when the vapour concentration by volume reaches the equivalent of 30% LFL in air.

13.6.16 For membrane containment systems, the primary and secondary insulation spaces shall be able to be inerted and their gas content analysed individually **(1)**. The alarm in the secondary insulation space shall be set in accordance with 13.6.15, that in the primary space is set at a value approved by the Administration or recognized organization acting on its behalf.

(1) *Gas Concentrations in the Insulation Spaces of Membrane LNG Carriers, March 2007 (published by SIGTTO).*

13.6.17 For other spaces described by 13.6.2, alarms shall be activated when the vapour concentration reaches 30% LFL and safety functions required by Section 16 shall be activated before the vapour concentration reaches 60% LFL. The crankcases of internal combustion engines that can run on gas shall be arranged to alarm before 100% LFL.

13.6.18 Gas detection equipment shall be so designed that it may readily be tested. Testing and calibration shall be carried out at regular intervals. Suitable equipment for this purpose shall be carried on board and be used in accordance with the manufacturer's recommendations. Permanent connections for such test equipment shall be fitted.

13.6.19 Every ship shall be provided with at least two sets of portable gas detection equipment that meet the requirement of 13.6.3 or an acceptable national or international standard.

13.6.20 A suitable instrument for the measurement of oxygen levels in inert atmospheres shall be provided.

13.7 Additional requirements for containment systems requiring a secondary barrier

13.7.1 Integrity of barriers

Where a secondary barrier is required, permanently installed instrumentation shall be provided to detect when the primary barrier fails to be liquid-tight at any location or when liquid cargo is in contact with the secondary barrier at any location. This instrumentation shall consist of appropriate gas detecting devices according to 13.6. However, the instrumentation need not be capable of locating the area where liquid cargo leaks through the primary barrier or where liquid cargo is in contact with the secondary barrier.

Note: Upon special approval appropriate temperature indicating devices may be accepted by the Society instead of gas detecting devices when the cargo temperature is not lower than – 55 °C.

13.7.2 Temperature indication devices

13.7.2.1 The number and position of temperature-indicating devices shall be appropriate to the design of the containment system and cargo operation requirements.

Note: Common read-outs of the temperature sensors on the navigating bridge are acceptable.

13.7.2.2 When cargo is carried in a cargo containment system with a secondary barrier, at a temperature lower than -55°C, temperature-indicating devices shall be provided within the insulation or on the hull structure adjacent to cargo containment systems. The devices shall give readings at regular intervals and, where applicable, alarm of temperatures approaching the lowest for which the hull steel is suitable.

Note: These alarms are to be at the cargo control position according to 13.1.2 and on the navigating bridge.

13.7.2.3 If cargo is to be carried at temperatures lower than -55°C, the cargo tank boundaries, if appropriate for the design of the cargo containment system, shall be fitted with a sufficient number of temperature-indicating devices to verify that unsatisfactory temperature gradients do not occur.

13.7.2.4 For the purposes of design verification and determining the effectiveness of the initial cooldown procedure on a single or series of similar ships, one tank shall be fitted with devices in excess of those required in 13.7.2.1. These

devices may be temporary or permanent and only need to be fitted to the first ship, when a series of similar ships is built.

13.8 Automation systems

13.8.1 The requirements of this section shall apply where automation systems are used to provide instrumented control, monitoring/alarm or safety functions required by this Code.

13.8.2 Automation systems shall be designed, installed and tested in accordance with recognized standards¹⁹.

13.8.3 Hardware shall be capable of being demonstrated to be suitable for use in the marine environment by type approval or other means.

13.8.4 Software shall be designed and documented for ease of use, including testing, operation and maintenance.

13.8.5 The user interface shall be designed such that the equipment under control can be operated in a safe and effective manner at all times.

13.8.6 Automation systems shall be arranged such that a hardware failure or an error by the operator does not lead to an unsafe condition. Adequate safeguards against incorrect operation shall be provided.

13.8.7 Appropriate segregation shall be maintained between control, monitoring/alarm and safety functions to limit the effect of single failures. This shall be taken to include all parts of the automation systems that are required to provide specified functions, including connected devices and power supplies.

13.8.8 Automation systems shall be arranged such that the software configuration and parameters are protected against unauthorized or unintended change.

13.8.9 A management of change process shall be applied to safeguard against unexpected consequences of modification. Records of configuration changes and approvals shall be maintained on board.

13.8.10 Processes for the development and maintenance of integrated systems shall be in accordance with recognized standards **(1)**. These processes shall include appropriate risk identification and management.

13.9 System integration

13.9.1 Essential safety functions shall be designed such that risks of harm to personnel or damage to the installation or the environment are reduced to a level acceptable to the Administration, both in normal operation and under fault conditions. Functions shall be designed to fail-safe. Roles and responsibilities for integration of systems shall be clearly defined and agreed by relevant parties.

(1) *Refer to the International Electrotechnical Commission standard ISO/IEC 15288:2008 Systems and software engineering – System life cycle processes, and ISO 17894:2005 Ships and marine technology – Computer applications – General principles for the development and use of programmable electronic systems in marine applications.*

13.9.2 Functional requirements of each component subsystem shall be clearly defined to ensure that the integrated system meets the functional and specified safety requirements and takes account of any limitations of the equipment under control.

13.9.3 Key hazards of the integrated system shall be identified using appropriate risk-based techniques.

13.9.4 The integrated system shall have a suitable means of reversionary control.

13.9.5 Failure of one part of the integrated system shall not affect the functionality of other parts, except for those functions directly dependent on the defective part.

13.9.6 Operation with an integrated system shall be at least as effective as it would be with individual stand-alone equipment or systems.

13.9.7 The integrity of essential machinery or systems, during normal operation and fault conditions, shall be demonstrated. Refer to the recommendations for computer-based systems contained in the standard published by the International Electrotechnical Commission, IEC 60092-504:2001 "Electrical installations in ships – Special features – Control and instrumentation".

SECTION 14**PERSONNEL PROTECTION**

	Page
14.1 PROTECTIVE EQUIPMENT	14- 2
14.2 FIRST AID EQUIPMENT.....	14- 2
14.3 SAFETY EQUIPMENT	14- 2
14.4 PERSONNEL PROTECTION REQUIREMENTS FOR INDIVIDUAL PRODUCTS.....	14- 3

Goal

To ensure that protective equipment is provided for ship staff, considering both routine operations or emergency situations and possible short- or long-term effects of the product being handled.

14.1 Protective equipment

14.1.1 Suitable protective equipment, including eye protection to a recognized national or international standard, shall be provided for protection of crew members engaged in normal cargo operations, taking into account the characteristics of the products being carried.

14.1.2 Personal protective and safety equipment required in this chapter shall be kept in suitable, clearly marked lockers located in readily accessible places.

14.1.3 The compressed air equipment shall be inspected at least once a month by a responsible officer and the inspection logged in the ship's records. This equipment shall also be inspected and tested by a competent person at least once a year.

14.2 First-aid equipment

14.2.1 A stretcher that is suitable for hoisting an injured person from spaces below deck shall be kept in a readily accessible location.

14.2.2 The ship shall have onboard medical first-aid equipment, including oxygen resuscitation equipment, based on the requirements of the Medical First Aid Guide (MFAG) for the cargoes listed on the International Certificate of Fitness for the Carriage of Liquefied Gases in Bulk shown in appendix 2.

Note: Medical First Aid Guide for Use in Accidents Involving Dangerous Goods (MFAG), is the guideline which provides advice on the treatment of casualties in accordance with the symptoms exhibited as well as equipment and antidotes that may be appropriate for treating the casualty

14.3 Safety equipment

14.3.1 Sufficient, but not less than three complete sets of safety equipment shall be provided in addition to the firefighter's outfits required by 11.6.1. Each set shall provide adequate personal protection to permit entry and work in a gas-filled space. This equipment shall take into account the nature of the cargoes, listed on the International Certificate of Fitness for the Carriage of Liquefied Gases in Bulk shown in appendix 2.

14.3.2 Each complete set of safety equipment shall consist of:

- .1 one self-contained positive pressure air-breathing apparatus incorporating full face mask, not using stored oxygen and having a capacity of at least 1,200 l of free air. Each set shall be compatible with that required by 11.6.1;
- .2 protective clothing, boots and gloves to a recognized standard;
- .3 steel-cored rescue line with belt; and
- .4 explosion-proof lamp.

14.3.3 An adequate supply of compressed air shall be provided and shall consist of:

- .1 at least one fully charged spare air bottle for each breathing apparatus required by 14.3.1;
- .2 an air compressor of adequate capacity capable of continuous operation, suitable for the supply of high-pressure air of breathable quality; and
- .3 a charging manifold capable of dealing with sufficient spare breathing apparatus air bottles for the breathing apparatus required by 14.3.1.

14.4 Personal protection requirements for individual products

14.4.1 Requirements of this section shall apply to ships carrying products for which those paragraphs are listed in column "I" in the table of Section 19.

14.4.2 Suitable respiratory and eye protection for emergency escape purposes shall be provided for every person on board, subject to the following:

- .1 filter-type respiratory protection is unacceptable;
- .2 self-contained breathing apparatus shall have at least a duration of service of 15 min; and
- .3 emergency escape respiratory protection shall not be used for firefighting or cargo-handling purposes and shall be marked to that effect.

14.4.3 One or more suitably marked decontamination showers and eyewash stations shall be available on deck, taking into account the size and layout of the ship. The showers and eyewashes shall be operable in all ambient conditions.

14.4.4 The protective clothing required under 14.3.2.2 shall be gastight.

SECTION 15**FILLING LIMITS FOR CARGO TANKS**

	Page
15.1 DEFINITIONS	15- 2
15.2 GENERAL REQUIREMENTS	15- 2
15.3 DEFAULT FILLING LIMIT	15- 2
15.4 DETERMINATION OF INCREASED FILLING LIMIT	15- 2
15.5 MAXIMUM LOADING LIMIT	15- 3
15.6 INFORMATION TO BE PROVIDED TO THE MASTER	15- 4

Goal

To determine the maximum quantity of cargo that can be loaded.

15.1 Definitions

15.1.1 Filling limit (FL) means the maximum liquid volume in a cargo tank relative to the total tank volume when the liquid cargo has reached the reference temperature.

15.1.2 Loading limit (LL) means the maximum allowable liquid volume relative to the tank volume to which the tank may be loaded.

15.1.3 Reference temperature means (for the purposes of this section only):

.1 when no cargo vapour pressure/temperature control, as referred to in Section 7, is provided, the temperature corresponding to the vapour pressure of the cargo at the set pressure of the PRVs; and

.2 when a cargo vapour pressure/temperature control, as referred to in Section 7, is provided, the temperature of the cargo upon termination of loading, during transport or at unloading, whichever is the greatest.

15.1.4 Ambient design temperature for unrestricted service means sea temperature of 32°C and air temperature of 45°C. However, lesser values of these temperatures may be accepted by the Administration for ships operating in restricted areas or on voyages of restricted duration, and account may be taken in such cases of any insulation of the tanks. Conversely, higher values of these temperatures may be required for ships permanently operating in areas of high-ambient temperature.

15.2 General requirements

The maximum filling limit of cargo tanks shall be so determined that the vapour space has a minimum volume at reference temperature allowing for:

.1 tolerance of instrumentation such as level and temperature gauges;

.2 volumetric expansion of the cargo between the PRV set pressure and the maximum allowable rise stated in 8.4; and

.3 an operational margin to account for liquid drained back to cargo tanks after completion of loading, operator reaction time and closing time of valves, see 5.5 and 18.10.2.1.4.

15.3 Default filling limit

The default value for the filling limit (FL) of cargo tanks is 98% at the reference temperature. Exceptions to this value shall meet the requirements of 15.4.

15.4 Determination of increased filling limit

15.4.1 A filling limit greater than the limit of 98% specified in 15.3 may be permitted under the trim and list conditions specified in 8.2.17, providing:

- .1 no isolated vapour pockets are created within the cargo tank;
- .2 the PRV inlet arrangement shall remain in the vapour space; and
- .3 allowances need to be provided for:
 - .1 volumetric expansion of the liquid cargo due to the pressure increase from the MARVS to full flow relieving pressure in accordance with 8.4.1;
 - .2 an operational margin of minimum 0.1% of tank volume; and
 - .3 tolerances of instrumentation such as level and temperature gauges.

15.4.2 In no case shall a filling limit exceeding 99.5% at reference temperature be permitted.

15.5 Maximum loading limit

15.5.1 The maximum loading limit (LL) to which a cargo tank may be loaded shall be determined by the following formula:

$$LL = FL \frac{\rho_R}{\rho_L}$$

where:

- LL = loading limit as defined in 15.1.2, expressed in percentage;
- FL = filling limits as specified in 15.3 or 15.4 expressed in percentage;
- ρ_R = relative density of cargo at the reference temperature; and
- ρ_L = relative density of cargo at the loading temperature.

15.5.2 The Administration may allow type C tanks to be loaded according to the formula in 15.5.1 with the relative density ρ_R as defined below, provided that the tank vent system has been approved in accordance with 8.2.18:

- LL = loading limit as defined in 15.1.2, expressed in percentage;
- FL = filling limits as specified in 15.3 or 15.4 expressed in percentage;
- ρ_R = relative density of cargo at the highest temperature that the cargo may reach upon termination of loading, during transport, or at unloading, under the ambient design temperature conditions described in 15.1.4.
- ρ_L = as specified in 15.5.1

This paragraph does not apply to products requiring a type 1G ship.

15.5.3 For ships constructed before 1 July 2016 and subject to IMO International Code for the Construction and Equipment of Ships Carrying Liquefied Gases in Bulk (MSC.5(48)), type C cargo tanks can be loaded in accordance with the provisions of paragraph 15.5.2 or, alternatively, to the provisions of paragraph 15.5.1.

15.6 Information to be provided to the master

15.6.1 A document shall be provided to the ship, specifying the maximum allowable loading limits for each cargo tank and product, at each applicable loading temperature and maximum reference temperature. The information in this document shall be approved by the Administration or recognized organization acting on its behalf.

15.6.2 Pressures at which the PRVs have been set shall also be stated in the document.

15.6.3 A copy of the above document shall be permanently kept on board by the master.

SECTION 16**USE OF CARGO AS FUEL**

	Page
16.1 GENERAL	16- 2
16.2 USE OF CARGO VAPOUR AS FUEL	16- 2
16.3 ARRANGEMENT OF SPACES CONTAINING GAS CONSUMERS	16- 2
16.4 GAS FUEL SUPPLY	16- 2
16.5 GAS FUEL PLANT AND RELATED STORAGE TANKS	16- 5
16.6 SPECIAL REQUIREMENTS FOR MAIN BOILERS	16- 6
16.7 SPECIAL REQUIREMENTS FOR GAS-FIRED INTERNAL COMBUSTION ENGINES	16- 7
16.8 SPECIAL REQUIREMENTS FOR GAS-TURBINE	16- 9
16.9 ALTERNATIVE FUELS AND TECHNOLOGIES	16-10

Goal

To ensure the safe use of cargo as fuel.

16.1 General

Except as provided for in 16.9, methane (LNG) is the only cargo whose vapour or boil-off gas may be utilized in machinery spaces of category A, and, in these spaces, it may be utilized only in systems such as boilers, inert gas generators, internal combustion engines, gas combustion unit and gas turbines.

16.2 Use of cargo vapour as fuel

This section addresses the use of cargo vapour as fuel in systems such as boilers, inert gas generators, internal combustion engines, gas combustion units and gas turbines.

16.2.1 For vaporized LNG, the fuel supply system shall comply with the requirements of 16.4.1, 16.4.2 and 16.4.3.

16.2.2 For vaporized LNG, gas consumers shall exhibit no visible flame and shall maintain the uptake exhaust temperature below 535°C.

16.3 Arrangement of spaces containing gas consumers

16.3.1 Spaces in which gas consumers are located shall be fitted with a mechanical ventilation system that is arranged to avoid areas where gas may accumulate, taking into account the density of the vapour and potential ignition sources. The ventilation system shall be separated from those serving other spaces.

16.3.2 Gas detectors shall be fitted in these spaces, particularly where air circulation is reduced. The gas detection system shall comply with the requirements of Section 13.

16.3.3 Electrical equipment located in the double wall pipe or duct specified in 16.4.3 shall comply with the requirements of Section 10.

16.3.4 All vents and bleed lines that may contain or be contaminated by gas fuel shall be routed to a safe location external to the machinery space and be fitted with a flame screen.

16.4 Gas fuel supply**16.4.1 General**

16.4.1.1 The requirements of this section shall apply to gas fuel supply piping outside of the cargo area. Fuel piping shall not pass through accommodation spaces, service spaces, electrical equipment rooms or control stations. The routing of the pipeline shall take into account potential hazards, due to mechanical damage, in areas such as stores or machinery handling areas.

16.4.1.2 Provision shall be made for inerting and gas-freeing that portion of the gas fuel piping systems located in the machinery space.

16.4.2 Leak detection

Continuous monitoring and alarms shall be provided to indicate a leak in the piping system in enclosed spaces and shut down the relevant gas fuel supply.

16.4.3 Routeing of fuel supply pipes

Fuel piping may pass through or extend into enclosed spaces other than those mentioned in 16.4.1, provided it fulfils one of the following conditions:

- .1 it is of a double-wall design with the space between the concentric pipes pressurized with inert gas at a pressure greater than the gas fuel pressure. The master gas fuel valve, as required by 16.4.6, closes automatically upon loss of inert gas pressure; or
- .2 it is installed in a pipe or duct equipped with mechanical exhaust ventilation having a capacity of at least 30 air changes per hour and is arranged to maintain a pressure less than the atmospheric pressure. The mechanical ventilation is in accordance with Section 12, as applicable. The ventilation is always in operation when there is fuel in the piping and the master gas fuel valve, as required by 16.4.6, closes automatically if the required air flow is not established and maintained by the exhaust ventilation system. The inlet or the duct may be from a non-hazardous machinery space, and the ventilation outlet is in a safe location.

Notes for item 16.4.3:

The gas piping system is to be designed in accordance with Chapter 4, Section 16, C, as far as applicable.

Gas piping must be independent of other systems and may exclusively be used for the conveyance of gas. It is to be ensured by their arrangement that they are protected against external damages

The main gas line between the gas make up station and the machinery space shall be as short as possible. This applies also to the gas pipes to gas injection valves and burners. The gas piping has to be installed as high in the space as possible and at the greatest possible distance from the ship's hull.

16.4.4 Requirements for gas fuel with pressure greater than 1 MPa

16.4.4.1 Fuel delivery lines between the high-pressure fuel pumps/compressors and consumers shall be protected with a double-walled piping system capable of containing a high pressure line failure, taking into account the effects of both pressure and low temperature. A single-walled pipe in the cargo area up to the isolating valve(s) required by 16.4.6 is acceptable.

16.4.4.2 The arrangement in 16.4.3.2 may also be acceptable providing the pipe or trunk is capable of containing a high pressure line failure, according to the requirements of 16.4.7 and taking into account the effects of both pressure and possible low temperature and providing both inlet and exhaust of the outer pipe or trunk are in the cargo area.

16.4.5 Gas consumer isolation

The supply piping of each gas consumer unit shall be provided with gas fuel isolation by automatic double block and

bleed, vented to a safe location, under both normal and emergency operation. The automatic valves shall be arranged to fail to the closed position on loss of actuating power. In a space containing multiple consumers, the shutdown of one shall not affect the gas supply to the others.

Note: It must be possible to operate the shut-off devices locally and from each control platform. They must close automatically under the following service conditions:

- *Whenever the gas pressure varies by more than 10 % or, in the case of supercharged engines, if the differential pressure between gas and charging air is no longer constant.*
- *If fault situations as described in 16.6.2 and 16.7.8 arise.*

16.4.6 Spaces containing gas consumers

16.4.6.1 It shall be possible to isolate the gas fuel supply to each individual space containing a gas consumer(s) or through which fuel gas supply piping is run, with an individual master valve, which is located within the cargo area. The isolation of gas fuel supply to a space shall not affect the gas supply to other spaces containing gas consumers if they are located in two or more spaces, and it shall not cause loss of propulsion or electrical power.

Note: High-pressure gas piping, which according to 16.4.3.2 is installed in a ventilated pipe or duct, is to be subdivided into sections between master gas fuel valve and gas utilization unit by quick-closing valves, if a major volume of gas may penetrate into the duct or pipe in the event of pipe burst. The number of quick-closing valves is to be agreed with the Society, taking into account the gas pressure and the volume of the gas piping. Under the same criteria the quick-closing valves must close automatically like the master gas fuel valves mentioned in 16.4.6.1.

16.4.6.2 If the double barrier around the gas supply system is not continuous due to air inlets or other openings, or if there is any point where single failure will cause leakage into the space, the individual master valve for the space shall operate under the following circumstances:

- .1 automatically by:
 - .1 gas detection within the space;
 - .2 leak detection in the annular space of a double-walled pipe;
 - .3 leak detection in other compartments inside the space, containing single-walled gas piping;
 - .4 loss of ventilation in the annular space of a double-walled pipe; and
 - .5 loss of ventilation in other compartments inside the space, containing single-walled gas piping; and
- .2 manually from within the space, and at least one remote location.

16.4.6.3 If the double barrier around the gas supply system is continuous, an individual master valve located in the cargo area may be provided for each gas consumer inside the space. The individual master valve shall operate under the following circumstances:

- .1 automatically by:
 - .1 leak detection in the annular space of a double-walled pipe served by that individual master valve;
 - .2 leak detection in other compartments containing single-walled gas piping that is part of the supply system served by the individual master valve; and
 - .3 loss of ventilation or loss of pressure in the annular space of a double-walled pipe; and
- .2 manually from within the space, and at least one remote location.

16.4.7 Piping and ducting construction

Gas fuel piping in machinery spaces shall comply with 5.1 to 5.9, as applicable. The piping shall, as far as practicable, have welded joints. Those parts of the gas fuel piping that are not enclosed in a ventilated pipe or duct according to 16.4.3, and are on the weather decks outside the cargo area, shall have full penetration butt-welded joints and shall be fully radiographed.

16.4.8 Gas detection

Gas detection systems provided in accordance with the requirements of this section shall activate the alarm at 30% LFL and shut down the master gas fuel valve required by 16.4.6 at not more than 60% LFL (see 13.6.17).

Note: Gas detectors are to be arranged at all points where gas must be expected to gather.

16.5 Gas fuel plant and related storage tanks

16.5.1 Provision of gas fuel

All equipment (heaters, compressors, vaporizers, filters, etc.) for conditioning the cargo and/or cargo boil off vapour for its use as fuel, and any related storage tanks, shall be located in the cargo area. If the equipment is in an enclosed space, the space shall be ventilated according to 12.1 and be equipped with a fixed fire-extinguishing system, according to 11.5, and with a gas detection system according to 13.6, as applicable.

16.5.2 Remote stops

16.5.2.1 All rotating equipment utilized for conditioning the cargo for its use as fuel shall be arranged for manual remote stop from the engine-room. Additional remote stops shall be located in areas that are always easily accessible, typically cargo control room, navigation bridge and fire control station.

16.5.2.2 The fuel supply equipment shall be automatically stopped in the case of low suction pressure or fire detection. Unless expressly provided otherwise, the requirements of 18.10 need not apply to gas fuel compressors or pumps when used to supply gas consumers.

16.5.3 Heating and cooling mediums

If the heating or cooling medium for the gas fuel conditioning system is returned to spaces outside the cargo area, provisions shall be made to detect and alarm the presence of cargo/cargo vapour in the medium. Any vent outlet shall be in a safe position and fitted with an effective flame screen of an approved type.

16.5.4 Piping and pressure vessels

Piping or pressure vessels fitted in the gas fuel supply system shall comply with Section 5.

16.6 Special requirements for main boilers**16.6.1 Arrangements**

16.6.1.1 Each boiler shall have a separate exhaust uptake.

16.6.1.2 Each boiler shall have a dedicated forced draught system. A crossover between boiler force draught systems may be fitted for emergency use providing that any relevant safety functions are maintained.

16.6.1.3 Combustion chambers and uptakes of boilers shall be designed to prevent any accumulation of gaseous fuel.

16.6.2 Combustion equipment (1)

16.6.2.1 The burner systems shall be of dual type, suitable to burn either: oil fuel or gas fuel alone, or oil and gas fuel simultaneously.

16.6.2.2 Burners shall be designed to maintain stable combustion under all firing conditions.

16.6.2.3 An automatic system shall be fitted to change over from gas fuel operation to oil fuel operation without interruption of the boiler firing, in the event of loss of gas fuel supply.

16.6.2.4 Gas nozzles and the burner control system shall be configured such that gas fuel can only be ignited by an established oil fuel flame, unless the boiler and combustion equipment is designed and approved by recognized organization to light on gas fuel.

(1) For fuel oil and air supply to the pilot burner see Chapter 4- Machinery-Section 15, B.3

The gas supply must be automatically stopped by the shut-off devices specified in 16.4.5, if:

- *The air supply is insufficient for complete combustion of the gas,*
- *The pilot burner for an operating burner extinguishes, unless the gas supply line to every individual burner is equipped with a quick closing valve that automatically cuts off the gas,*
- *The pressure in the fuel oil admission line drops to an inadmissibly low level.*

16.6.3 Safety

16.6.3.1 There shall be arrangements to ensure that gas fuel flow to the burner is automatically cut-off, unless satisfactory ignition has been established and maintained.

16.6.3.2 On the pipe of each gas-burner, a manually operated shut-off valve shall be fitted.

16.6.3.3 Provisions shall be made for automatically purging the gas supply piping to the burners, by means of an inert gas, after the extinguishing of these burners.

16.6.3.4 The automatic fuel changeover system required by 16.6.2.3 shall be monitored with alarms to ensure continuous availability.

16.6.3.5 Arrangements shall be made that, in case of flame failure of all operating burners, the combustion chambers of the boilers are automatically purged before relighting.

16.6.3.6 Arrangements shall be made to enable the boilers to be manually purged.

16.7 Special requirements for gas-fired internal combustion engines**16.7.1 Definition**

Dual fuel engines are those that employ gas fuel (with pilot oil) and oil fuel. Oil fuels may include distillate and residual fuels. Gas only engines are those that employ gas fuel only.

Note: As main engines only dual fuel engines will be approved, which are designed either for combined dual fuel operation by ignition-ray process or for fuel oil operation only. Refer to item 16.7.3.

16.7.2 Arrangements

Following requirements apply to gas-fired internal combustion engines. Requirements for gas turbines are to be agreed with the Society in each individual case.

16.7.2.1 When gas is supplied in a mixture with air through a common manifold, flame arrestors shall be installed before each cylinder head.

16.7.2.2 Each engine shall have its own separate exhaust.

16.7.2.3 The exhausts shall be configured to prevent any accumulation of unburnt gaseous fuel.

16.7.2.4 Unless designed with the strength to withstand the worst case overpressure due to ignited gas leaks, air inlet manifolds, scavenge spaces, exhaust system and crank cases shall be fitted with suitable pressure relief systems. Pressure relief systems shall lead to a safe location, away from personnel.

16.7.2.5 Each engine shall be fitted with vent systems independent of other engines for crankcases, sumps and cooling systems.

16.7.3 Requirements for Dual Fuel Engines

16.7.1 The gas is to be conveyed close to the cylinder inlet valves through gas inlet valves, without prior mixing with combustion air, or else blown directly into the cylinders.

16.7.2 Also, in case of sudden shut-off of the gas supply, the engines must be capable of continuous operation by fuel oil exclusively.

16.7.3 Starting and reversing of the engines is admissible during operation by diesel fuel only.

16.7.4 For protection against the effects of misfiring, blow-off safety devices capable of blow-off without risk are to be in the exhaust gas manifold and in the charge air/air inlet duct.

16.7.5 In the starting-air lines, in front of each cylinder non-return valves and flame arresters are to be arranged.

16.7.6 The crankcases of trunk piston engines are to be continuously vented. In the case of ventilation by induced draught fans the negative pressure in the crankcase must not exceed a water head of 25 mm. Vent lines have to extend to the open deck at a safe point. A gas detecting device is to be fitted in the vent line between crankcase and fan.

16.7.7 For safety equipment see Chapter 4, Machinery, Section 2, F.

16.7.8 The gas supply must be stopped automatically by the shut-off valves as specified in 16.4.5, if:

- The pilot fuel injection pump or the supply of pilot fuel fails,
- The engine speed drops below the lowest service speed
- The gas detector in the crankcase vent line indicates a gas concentration approaching the lower limit.

16.7.9 Before being put into operation, the gas piping system is to be subjected to a hydrostatic pressure test 1.5 times the working pressure, but at least to a pressure of 5 bar, and to a pneumatic tightness test. Additionally all shut off devices are to be pneumatically tested to tightness of their sealing faces, to 1.1 times the working pressure.

16.7.10 Safety, quick-closing or automatic stop valves, level indicators, temperature meters, pressure gauges, gas detection and warning systems are to be subjected to function test.

16.7.2 Combustion equipment

16.7.2.1 Prior to admission of gas fuel, correct operation of the pilot oil injection system on each unit shall be verified.

16.7.2.2 For a spark ignition engine, if ignition has not been detected by the engine monitoring system within an engine specific time after opening of the gas supply valve, this shall be automatically shut off and the starting sequence terminated. It shall be ensured that any unburnt gas mixture is purged from the exhaust system.

16.7.2.3 For dual-fuel engines fitted with a pilot oil injection system, an automatic system shall be fitted to change over from gas fuel operation to oil fuel operation with minimum fluctuation of the engine power.

16.7.2.4 In the case of unstable operation on engines with the arrangement in 16.7.2.3 when gas firing, the engine shall automatically change to oil fuel mode.

16.7.3 Safety

16.7.3.1 During stopping of the engine, the gas fuel shall be automatically shut off before the ignition source.

16.7.3.2 Arrangements shall be provided to ensure that there is no unburnt gas fuel in the exhaust gas system prior to ignition.

16.7.3.3 Crankcases, sumps, scavenge spaces and cooling system vents shall be provided with gas detection (see 13.6.17).

16.7.3.4 Provision shall be made within the design of the engine to permit continuous monitoring of possible sources of ignition within the crank case. Instrumentation fitted inside the crankcase shall be in accordance with the requirements of Section 10.

16.7.3.5 A means shall be provided to monitor and detect poor combustion or misfiring that may lead to unburnt gas fuel in the exhaust system during operation. In the event that it is detected, the gas fuel supply shall be shut down. Instrumentation fitted inside the exhaust system shall be in accordance with the requirements of Section 10.

16.8 Special requirements for gas turbine

16.8.1 Arrangements

16.8.1.1 Each turbine shall have its own separate exhaust.

16.8.1.2 The exhausts shall be appropriately configured to prevent any accumulation of unburnt gas fuel.

16.8.1.3 Unless designed with the strength to withstand the worst case overpressure due to ignited gas leaks, pressure relief systems shall be suitably designed and fitted to the exhaust system, taking into consideration explosions due to gas leaks. Pressure relief systems within the exhaust uptakes shall be lead to a non-hazardous location, away from personnel.

16.8.2 Combustion equipment

An automatic system shall be fitted to change over easily and quickly from gas fuel operation to oil fuel operation with minimum fluctuation of the engine power.

16.8.3 Safety

16.8.3.1 Means shall be provided to monitor and detect poor combustion that may lead to unburnt gas fuel in the exhaust system during operation. In the event that it is detected, the gas fuel supply shall be shut down.

16.8.3.2 Each turbine shall be fitted with an automatic shutdown device for high exhaust temperatures.

16.9 Alternative fuels and technologies

16.9.1 If acceptable to the Administration, other cargo gases may be used as fuel, providing that the same level of safety as natural gas in this Code is ensured.

16.9.2 The use of cargoes identified as toxic products shall not be permitted.

16.9.3 For cargoes other than LNG, the fuel supply system shall comply with the requirements of 16.4.1, 16.4.2, 16.4.3 and 16.5, as applicable, and shall include means for preventing condensation of vapour in the system.

16.9.4 Liquefied gas fuel supply systems shall comply with 16.4.5.

16.9.5 In addition to the requirements of 16.4.3.2, both ventilation inlet and outlet shall be in a non-hazardous area external to the machinery space.

SECTION 17

SPECIAL REQUIREMENTS

	Page
17.1 GENERAL.....	17- 2
17.2 MATERIALS OF CONSTRUCTION.....	17- 2
17.3 INDEPENDENT TANKS	17- 2
17.4 REFRIGERATION SYSTEMS.....	17- 2
17.5 CARGOES REQUIRING TYPE 1G SHIP.....	17- 3
17.6 EXCLUSION OF AIR FROM VAPOUR SPACES.....	17- 3
17.7 MOISTURE CONTROL.....	17- 3
17.8 INHIBITION	17- 3
17.9 FLAME SCREENS ON VENT OUTLETS.....	17- 4
17.10 MAXIMUM ALLOWABLE QUANTITY OF CARGO PER TANK	17- 4
17.11 CARGO PUMPS AND DISCHARGE ARRANGEMENTS.....	17- 4
17.12 AMMONIA.....	17- 4
17.13 CHLORINE.....	17- 5
17.14 ETHYLENE OXIDE	17- 7
17.15 SEPARATE PIPING SYSTEMS.....	17- 8
17.16 METHYL ACETYLENE-PROPADIENE MIXTURES.....	17- 8
17.17 NITROGEN	17-10
17.18 PROPYLENE OXIDE AND MIXTURES OF ETHYLENE OXIDE-PROPYLENE OXIDE WITH ETHYLENE OXIDE CONTENT OF NOT MORE THAN 30% BY WEIGHT METHYL ACETYLENE- PROPADIENE MIXTURES	17- 10
17.19 VINYL CHLORIDE.....	17- 13
17.20 MIXED C4 CARGOES	17- 13
17.21 CARBON DIOXIDE: HIGH PURITY.....	17- 13
17.22 CARBON DIOXIDE: RECLAIMED QUALITY.....	17- 14

Goal

To set out the additional requirements in respect of specific cargoes.

17.1 General

The requirements of this section are applicable where reference thereto is made in column "i" in the table of Section 19. These requirements are additional to the general requirements of the Code.

17.2 Materials of construction

Materials that may be exposed to cargo during normal operations shall be resistant to the corrosive action of the gases. In addition, the following materials of construction for cargo tanks and associated pipelines, valves, fittings and other items of equipment normally in direct contact with the cargo liquid or vapour shall not be used for certain products as specified in column "i" in the table of Section 19:

- .1 mercury, copper and copper-bearing alloys, and zinc;
- .2 copper, silver, mercury, magnesium and other acetylide-forming metals;
- .3 aluminium and aluminium-bearing alloys;
- .4 copper, copper alloys, zinc and galvanized steel;
- .5 aluminium, copper and alloys of either; and
- .6 copper and copper-bearing alloys with greater than 1% copper.

17.3 Independent tanks

17.3.1 Products shall be carried in independent tanks only.

17.3.2 Products shall be carried in type C independent tanks, and the requirements of 7.1.2 shall apply. The design pressure of the cargo tank shall take into account any padding pressure or vapour discharge unloading pressure.

17.4 Refrigeration systems

17.4.1 Only the indirect system described in 7.3.1.2 shall be used.

17.4.2 For a ship engaged in the carriage of products that readily form dangerous peroxides, recondensed cargo shall not be allowed to form stagnant pockets of uninhibited liquid. This may be achieved either by:

- .1 using the indirect system described in 7.3.1.2, with the condenser inside the cargo tank; or
- .2 using the direct system or combined system described in 7.3.1.1 and .3 respectively, or the indirect system described in 7.3.1.2 with the condenser outside the cargo tank, and designing the condensate system to avoid any places in which liquid could collect and be retained. Where this is impossible, inhibited liquid shall be added upstream of such a place.

17.4.3 If the ship is to consecutively carry products as specified in 17.4.2 with a ballast passage between, all uninhibited liquid shall be removed prior to the ballast voyage. If a second cargo is to be carried between such consecutive cargoes, the reliquefaction system shall be thoroughly drained and purged before loading the second cargo. Purging shall be carried out using either inert gas or vapour from the second cargo, if compatible. Practical steps shall be taken to ensure that polymers or peroxides do not accumulate in the cargo system.

17.5 Cargoes requiring type 1G ship

17.5.1 All butt-welded joints in cargo piping exceeding 75 mm in diameter shall be subject to 100% radiography.

17.5.2 Gas sampling lines shall not be led into or through non-hazardous areas. Alarms referred to in 13.6.2 shall be activated when the vapour concentration reaches the threshold limiting value.

17.5.3 The alternative of using portable gas detection equipment in accordance with 13.6.5 shall not be permitted.

17.5.4 Cargo control rooms shall be located in a non-hazardous area and, additionally, all instrumentation shall be of the indirect type.

17.5.5 Personnel shall be protected against the effects of a major cargo release by the provision of a space within the accommodation area that is designed and equipped to the satisfaction of the Administration.

17.5.6 Notwithstanding the requirements in 3.2.4.3, access to forecastle spaces shall not be permitted through a door facing the cargo area, unless airlock in accordance with 3.6 is provided.

17.5.7 Notwithstanding the requirements in 3.2.7, access to control rooms and machinery spaces of turret systems shall not be permitted through doors facing the cargo area.

17.6 Exclusion of air from vapour spaces

Air shall be removed from cargo tanks and associated piping before loading and, then, subsequently excluded by:

- .1** introducing inert gas to maintain a positive pressure. Storage or production capacity of the inert gas shall be sufficient to meet normal operating requirements and relief valve leakage. The oxygen content of inert gas shall, at no time, be greater than 0.2% by volume; or
- .2** control of cargo temperatures such that a positive pressure is maintained at all times.

17.7 Moisture control

For gases that are non-flammable and may become corrosive or react dangerously with water, moisture control shall be provided to ensure that cargo tanks are dry before loading and that, during discharge, dry air or cargo vapour is introduced to prevent negative pressures. For the purposes of this paragraph, dry air is air that has a dew point of -45°C or below at atmospheric pressure.

17.8 Inhibition

Care shall be taken to ensure that the cargo is sufficiently inhibited to prevent self-reaction (e.g. polymerization or dimerization) at all times during the voyage. Ships shall be provided with a certificate from the manufacturer stating:

- .1 name and amount of inhibitor added;
- .2 date inhibitor was added and the normally expected duration of its effectiveness;
- .3 any temperature limitations affecting the inhibitor; and
- .4 the action to be taken should the length of the voyage exceed the effective lifetime of the inhibitors.

17.9 Flame screens on vent outlets

When carrying a cargo referenced to this section, cargo tank vent outlets shall be provided with readily renewable and effective flame screens or safety heads of an approved type. Due attention shall be paid in the design of flame screens and vent heads, to the possibility of the blockage of these devices by the freezing of cargo vapour or by icing up in adverse weather conditions. Flame screens shall be removed and replaced by protection screens, in accordance with 8.2.15, when carrying cargoes not referenced to this section.

17.10 Maximum allowable quantity of cargo per tank

When carrying a cargo referenced to this section, the quantity of the cargo shall not exceed 3,000 m³ in any one tank.

17.11 Cargo pumps and discharge arrangements

17.11.1 The vapour space of cargo tanks equipped with submerged electric motor pumps shall be inerted to a positive pressure prior to loading, during carriage and during unloading of flammable liquids.

17.11.2 The cargo shall be discharged only by deepwell pumps or by hydraulically operated submerged pumps. These pumps shall be of a type designed to avoid liquid pressure against the shaft gland.

17.11.3 Inert gas displacement may be used for discharging cargo from type C independent tanks, provided the cargo system is designed for the expected pressure.

17.12 Ammonia

17.12.1 Anhydrous ammonia may cause stress corrosion cracking in containment and process systems made of carbon-manganese steel or nickel steel. To minimize the risk of this occurring, measures detailed in 17.12.2 to 17.12.8 shall be taken, as appropriate.

17.12.2 Where carbon-manganese steel is used, cargo tanks, process pressure vessels and cargo piping shall be made of fine-grained steel with a specified minimum yield strength not exceeding 355 N/mm², and with an actual yield strength not exceeding 440 N/mm². One of the following constructional or operational measures shall also be taken:

- .1 lower strength material with a specified minimum tensile strength not exceeding 410 N/mm² shall be used; or
- .2 cargo tanks, etc., shall be post-weld stress relief heat treated; or
- .3 carriage temperature shall be maintained, preferably at a temperature close to the product's boiling point of -33°C, but in no case at a temperature above -20°C; or

.4 the ammonia shall contain not less than 0.1% w/w water, and the master shall be provided with documentation confirming this.

17.12.3 If carbon-manganese steels with higher yield properties are used other than those specified in 17.12.2, the completed cargo tanks, piping, etc., shall be given a post-weld stress relief heat treatment.

17.12.4 Process pressure vessels and piping of the condensate part of the refrigeration system shall be given a post-weld stress relief heat treatment when made of materials mentioned in 17.12.1.

17.12.5 The tensile and yield properties of the welding consumables shall exceed those of the tank or piping material by the smallest practical amount.

17.12.6 Nickel steel containing more than 5% nickel and carbon-manganese steel, not complying with the requirements of 17.12.2 and 17.12.3, are particularly susceptible to ammonia stress corrosion cracking and shall not be used in containment and piping systems for the carriage of this product.

17.12.7 Nickel steel containing not more than 5% nickel may be used, provided the carriage temperature complies with the requirements specified in 17.12.2.3.

17.12.8 To minimize the risk of ammonia stress corrosion cracking, it is advisable to keep the dissolved oxygen content below 2.5 ppm w/w. This can best be achieved by reducing the average oxygen content in the tanks prior to the introduction of liquid ammonia to less than the values given as a function of the carriage temperature T in the table below:

T (°C)	O ₂ (%v/v)
-30 and below	0.90
-20	0.50
-10	0.28
0	0.16
10	0.10
20	0.05
30	0.03

Oxygen percentages for intermediate temperatures may be obtained by direct interpolation.

17.13 Chlorine

17.13.1 Cargo containment system

17.13.1.1 The capacity of each tank shall not exceed 600 m³ and the total capacity of all cargo tanks shall not exceed 1,200 m³.

17.13.1.2 The tank design vapour pressure shall not be less than 1.35 MPa (see 7.1.2 and 17.3.2).

17.13.1.3 Parts of tanks protruding above the upper deck shall be provided with protection against thermal radiation, taking into account total engulfment by fire.

17.13.1.4 Each tank shall be provided with two PRVs. A bursting disc of appropriate material shall be installed between the tank and the PRVs. The rupture pressure of the bursting disc shall be 0.1 MPa lower than the opening pressure of the pressure relief valve, which shall be set at the design vapour pressure of the tank but not less than 1.35 MPa gauge. The space between the bursting disc and the relief valve shall be connected through an excess flow valve to a pressure gauge and a gas detection system. Provisions shall be made to keep this space at or near the atmospheric pressure during normal operation.

17.13.1.5 Outlets from PRVs shall be arranged in such a way as to minimize the hazards on board the ship as well as to the environment. Leakage from the relief valves shall be led through the absorption plant to reduce the gas concentration as far as possible. The relief valve exhaust line shall be arranged at the forward end of the ship to discharge outboard at deck level with an arrangement to select either port or starboard side, with a mechanical interlock to ensure that one line is always open.

17.13.1.6 The Administration and the port Administration may require that chlorine is carried in a refrigerated state at a specified maximum pressure.

17.13.2 Cargo piping systems

17.13.2.1 Cargo discharge shall be performed by means of compressed chlorine vapour from shore, dry air or another acceptable gas, or fully submerged pumps. Cargo discharge compressors on board ships shall not be used for this. The pressure in the vapour space of the tank during discharging shall not exceed 1.05 MPa gauge.

17.13.2.2 The design pressure of the cargo piping system shall be not less than 2.1 MPa gauge. The internal diameter of the cargo pipes shall not exceed 100 mm. Only pipe bends shall be accepted for compensation of pipeline thermal movement. The use of flanged joints shall be restricted to a minimum and, when used, the flanges shall be of the welding neck type with tongue and groove.

17.13.2.3 Relief valves of the cargo piping system shall discharge to the absorption plant, and the flow restriction created by this unit shall be taken into account when designing the relief valve system (see 8.4.3 and 8.4.4).

17.13.3 Materials

17.13.3.1 The cargo tanks and cargo piping systems shall be made of steel suitable for the cargo and for a temperature of -40°C, even if a higher transport temperature is intended to be used.

17.13.3.2 The tanks shall be thermally stress relieved. Mechanical stress relief shall not be accepted as an equivalent.

17.13.4 Instrumentation: safety devices

17.13.4.1 The ship shall be provided with a chlorine absorbing plant with a connection to the cargo piping system and the cargo tanks. The absorbing plant shall be capable of neutralizing at least 2% of the total cargo capacity at a reasonable absorption rate.

17.13.4.2 During the gas-freeing of cargo tanks, vapours shall not be discharged to the atmosphere.

17.13.4.3 A gas detecting system shall be provided that is capable of monitoring chlorine concentrations of at least 1 ppm by volume. Sample points shall be located:

- .1 near the bottom of the hold spaces;
- .2 in the pipes from the safety relief valves;
- .3 at the outlet from the gas absorbing plant;
- .4 at the inlet to the ventilation systems for the accommodation, service and machinery spaces and control stations; and
- .5 on deck – at the forward end, midships and the after end of the cargo area. This is only required to be used during cargo handling and gas-freeing operations.

The gas detection system shall be provided with an audible and visual alarm with a set point of 5 ppm.

17.13.4.4 Each cargo tank shall be fitted with a high-pressure alarm giving an audible alarm at a pressure equal to 1.05 MPa gauge.

17.13.5 Personnel protection

The enclosed space required by 17.5.5 shall meet the following requirements:

- .1 the space shall be easily and quickly accessible from the weather decks and from accommodation spaces by means of air locks, and shall be capable of being rapidly closed gastight;
- .2 one of the decontamination showers required by 14.4.3 shall be located near the weather deck airlock to the space;
- .3 the space shall be designed to accommodate the entire crew of the ship and be provided with a source of uncontaminated air for a period of not less than 4 h; and
- .4 one set of oxygen therapy equipment shall be carried in the space.

17.13.6 Filling limits for cargo tanks

17.13.6.1 The requirements of 15.1.3.2 do not apply when it is intended to carry chlorine.

17.13.6.2 The chlorine content of the gas in the vapour space of the cargo tank after loading shall be greater than 80% by volume.

Note: When determining the filling limits of the cargo tanks for the transport of chlorine, the effect of refrigeration plant is not to be considered.

17.14 Ethylene oxide

17.14.1 For the carriage of ethylene oxide, the requirements of 17.18 shall apply, with the additions and modifications as given in this section.

17.14.2 Deck tanks shall not be used for the carriage of ethylene oxide.

17.14.3 Stainless steels types 416 and 442, as well as cast iron, shall not be used in ethylene oxide cargo containment and piping systems.

17.14.4 Before loading, tanks shall be thoroughly and effectively cleaned to remove all traces of previous cargoes from tanks and associated pipework, except where the immediate prior cargo has been ethylene oxide, propylene oxide or mixtures of these products. Particular care shall be taken in the case of ammonia in tanks made of steel other than stainless steel.

17.14.5 Ethylene oxide shall be discharged only by deepwell pumps or inert gas displacement. The arrangement of pumps shall comply with 17.18.15.

17.14.6 Ethylene oxide shall be carried refrigerated only and maintained at temperatures of less than 30°C.

17.14.7 PRVs shall be set at a pressure of not less than 0.55 MPa gauge. The maximum set pressure shall be specially approved by the Administration.

17.14.8 The protective padding of nitrogen gas, as required by 17.18.27, shall be such that the nitrogen concentration in the vapour space of the cargo tank will, at no time, be less than 45% by volume.

17.14.9 Before loading, and at all times when the cargo tank contains ethylene oxide liquid or vapour, the cargo tank shall be inerted with nitrogen.

17.14.10 The water-spray system required by 17.18.29 and that required by 11.3 shall operate automatically in a fire involving the cargo containment system.

17.14.11 A jettisoning arrangement shall be provided to allow the emergency discharge of ethylene oxide in the event of uncontrollable self-reaction.

17.15 Separate piping systems

Separate piping systems, as defined in 1.2.47, shall be provided.

17.16 Methyl acetylene-propadiene mixtures

17.16.1 Methyl acetylene-propadiene mixtures shall be suitably stabilized for transport. Additionally, upper limits of temperatures and pressure during the refrigeration shall be specified for the mixtures.

17.16.2 Examples of acceptable stabilized compositions are:

.1 Composition 1:

.1 maximum methyl acetylene to propadiene molar ratio of 3 to 1;

.2 maximum combined concentration of methyl acetylene and propadiene of 65 mol%;

- .3 minimum combined concentration of propane, butane, and isobutane of 24 mol%, of which at least one third (on a molar basis) shall be butanes and one third propane;
 - .4 maximum combined concentration of propylene and butadiene of 10 mol%;
- .2 Composition 2:
- .1 maximum methyl acetylene and propadiene combined concentration of 30 mol%;
 - .2 maximum methyl acetylene concentration of 20 mol%;
 - .3 maximum propadiene concentration of 20 mol%;
 - .4 maximum propylene concentration of 45 mol%;
 - .5 maximum butadiene and butylenes combined concentration of 2 mol%;
 - .6 minimum saturated C4 hydrocarbon concentration of 4 mol%; and
 - .7 minimum propane concentration of 25 mol%.

17.16.3 Other compositions may be accepted, provided the stability of the mixture is demonstrated to the satisfaction of the Administration.

17.16.4 If a ship has a direct vapour compression refrigeration system, this shall comply with the following requirements, subject to pressure and temperature limitations depending on the composition. For the example compositions given in 17.16.2, the following features shall be provided:

- .1 a vapour compressor that does not raise the temperature and pressure of the vapour above 60oC and 1.75 MPa gauge during its operation, and that does not allow vapour to stagnate in the compressor while it continues to run;
- .2 discharge piping from each compressor stage or each cylinder in the same stage of a reciprocating compressor shall have:
 - .1 two temperature-actuated shutdown switches set to operate at 60oC or less;
 - .2 a pressure-actuated shutdown switch set to operate at 1.75 MPa gauge or less; and
 - .3 a safety relief valve set to relieve at 1.8 MPa gauge or less;
- .3 the relief valve required by .2.3 shall vent to a mast meeting the requirements of 8.2.10, 8.2.11 and 8.2.15 and shall not relieve into the compressor suction line; and
- .4 an alarm that sounds in the cargo control position and in the navigation bridge when a high-pressure switch, or a high-temperature switch, operates.

17.16.5 The piping system, including the cargo refrigeration system, for tanks to be loaded with methyl acetylene-propadiene mixtures shall be either independent (as defined in 1.2.28) or separate (as defined in 1.2.47) from piping and refrigeration systems for other tanks. This segregation shall apply to all liquid and vapour vent lines and any other possible connections, such as common inert gas supply lines.

17.17 Nitrogen

Materials of construction and ancillary equipment such as insulation shall be resistant to the effects of high oxygen concentrations caused by condensation and enrichment at the low temperatures attained in parts of the cargo system. Due consideration shall be given to ventilation in areas where condensation might occur, to avoid the stratification of oxygen-enriched atmosphere.

17.18 Propylene oxide and mixtures of ethylene oxide-propylene oxide with ethylene oxide content of not more than 30% by weight

17.18.1 Products transported under the provisions of this section shall be acetylene-free.

17.18.2 Unless cargo tanks are properly cleaned, these products shall not be carried in tanks that have contained as one of the three previous cargoes any product known to catalyse polymerization, such as:

- .1 anhydrous ammonia and ammonia solutions;
- .2 amines and amine solutions; and
- .3 oxidizing substances (e.g. chlorine).

17.18.3 Before loading, tanks shall be thoroughly and effectively cleaned to remove all traces of previous cargoes from tanks and associated pipework, except where the immediate prior cargo has been propylene oxide or ethylene oxide-propylene oxide mixtures. Particular care shall be taken in the case of ammonia in tanks made of steel other than stainless steel.

17.18.4 In all cases, the effectiveness of cleaning procedures for tanks and associated pipework shall be checked, by suitable testing or inspection, to ascertain that no traces of acidic or alkaline materials remain that might create a hazardous situation in the presence of these products.

17.18.5 Tanks shall be entered and inspected prior to each initial loading of these products to ensure freedom from contamination, heavy rust deposits and any visible structural defects. When cargo tanks are in continuous service for these products, such inspections shall be performed at intervals of not more than two years.

17.18.6 Tanks for the carriage of these products shall be of steel or stainless steel construction.

17.18.7 Tanks that have contained these products may be used for other cargoes after thorough cleaning of tanks and associated pipework systems by washing or purging.

17.18.8 All valves, flanges, fittings and accessory equipment shall be of a type suitable for use with these products and shall be constructed of steel or stainless steel in accordance with recognized standards. Disc or disc faces, seats and other wearing parts of valves shall be made of stainless steel containing not less than 11% chromium.

17.18.9 Gaskets shall be constructed of materials which do not react with, dissolve in, or lower the auto-ignition temperature of, these products and which are fire-resistant and possess adequate mechanical behaviour. The surface presented to the cargo shall be polytetrafluoroethylene (PTFE) or materials giving a similar degree of safety by their inertness. Spirally-wound stainless steel with a filler of PTFE or similar fluorinated polymer may be accepted, if approved by the Administration or recognized organization acting on its behalf.

Note: Gaskets of other types and/or materials are to be type approved by TL

17.18.10 Insulation and packing, if used, shall be of a material which does not react with, dissolve in, or lower the auto-ignition temperature of, these products.

17.18.11 The following materials are generally found unsatisfactory for use in gaskets, packing and similar uses in containment systems for these products and would require testing before being approved:

- .1 neoprene or natural rubber, if it comes into contact with the products;
- .2 asbestos or binders used with asbestos; and
- .3 materials containing oxides of magnesium, such as mineral wools.

17.18.12 Filling and discharge piping shall extend to within 100 mm of the bottom of the tank or any sump.

17.18.13 The products shall be loaded and discharged in such a manner that venting of the tanks to atmosphere does not occur. If vapour return to shore is used during tank loading, the vapour return system connected to a containment system for the product shall be independent of all other containment systems.

17.18.14 During discharging operations, the pressure in the cargo tank shall be maintained above 0.007 MPa gauge.

17.18.15 The cargo shall be discharged only by deepwell pumps, hydraulically operated submerged pumps or inert gas displacement. Each cargo pump shall be arranged to ensure that the product does not heat significantly if the discharge line from the pump is shut off or otherwise blocked.

17.18.16 Tanks carrying these products shall be vented independently of tanks carrying other products. Facilities shall be provided for sampling the tank contents without opening the tank to atmosphere.

17.18.18 Hold spaces shall be monitored for these products. Hold spaces surrounding type A and type B independent tanks shall also be inerted and monitored for oxygen. The oxygen content of these spaces shall be maintained below 2% by volume. Portable sampling equipment is satisfactory.

17.18.19 Prior to disconnecting shore lines, the pressure in liquid and vapour lines shall be relieved through suitable valves installed at the loading header. Liquid and vapour from these lines shall not be discharged to atmosphere.

17.18.20 Tanks shall be designed for the maximum pressure expected to be encountered during loading, carriage or unloading of cargo.

17.18.21 Tanks for the carriage of propylene oxide with a design vapour pressure of less than 0.06 MPa, and tanks for the carriage of ethylene oxide-propylene oxide mixtures with a design vapour pressure of less than 0.12 MPa, shall have a cooling system to maintain the cargo below the reference temperature. The reference temperatures are referred to in 15.1.3.

17.18.22 Pressure relief valve settings shall not be less than 0.02 MPa gauge; and for type C independent tanks not greater than 0.7 MPa gauge for the carriage of propylene oxide and not greater than 0.53 MPa gauge for the carriage of ethylene oxide-propylene oxide mixtures.

17.18.23 The piping system for tanks to be loaded with these products shall be completely separate from piping systems for all other tanks, including empty tanks, and from all cargo compressors. If the piping system for the tanks to be loaded with these products is not independent, as defined in 1.2.28, the required piping separation shall be accomplished by the removal of spool pieces, valves, or other pipe sections and the installation of blank flanges at these locations. The required separation applies to all liquid and vapour piping, liquid and vapour vent lines and any other possible connections such as common inert gas supply lines.

17.18.24 The products shall be transported only in accordance with cargo handling plans approved by the Administration. Each intended loading arrangement shall be shown on a separate cargo handling plan. Cargo handling plans shall show the entire cargo piping system and the locations for installation of the blank flanges needed to meet the above piping separation requirements. A copy of each approved cargo handling plan shall be kept on board the ship. The International Certificate of Fitness for the Carriage of Liquefied Gases in Bulk shall be endorsed to include references to the approved cargo handling plans.

17.18.25 Before each initial loading of these products, and before every subsequent return to such service, certification verifying that the required piping separation has been achieved shall be obtained from a responsible person acceptable to the port Administration and carried on board the ship. Each connection between a blank flange and pipeline flange shall be fitted with a wire and seal by the responsible person to ensure that inadvertent removal of the blank flange is impossible.

Note: The "responsible person" may be e.g. the ship's master or the Society's local Surveyor.

17.18.26 The maximum allowable loading limits for each tank shall be indicated for each loading temperature that may be applied, in accordance with 15.5.

17.18.27 The cargo shall be carried under a suitable protective padding of nitrogen gas. An automatic nitrogen make-up system shall be installed to prevent the tank pressure falling below 0.007 MPa gauge in the event of product temperature fall due to ambient conditions or malfunctioning of refrigeration system. Sufficient nitrogen shall be available on board to satisfy the demand of the automatic pressure control. Nitrogen of commercially pure quality (99.9% by volume) shall be used for padding. A battery of nitrogen bottles, connected to the cargo tanks through a pressure reduction valve, satisfies the intention of the expression "automatic" in this context.

17.18.28 The cargo tank vapour space shall be tested prior to and after loading to ensure that the oxygen content is 2% by volume or less.

17.18.29 A water-spray system of sufficient capacity shall be provided to blanket effectively the area surrounding the loading manifold, the exposed deck piping associated with product handling and the tank domes. The arrangement of piping and nozzles shall be such as to give a uniform distribution rate of 10l/m²/min. The arrangement shall ensure that any spilled cargo is washed away.

17.18.30 The water-spray system shall be capable of local and remote manual operation in case of a fire involving the cargo containment system. Remote manual operation shall be arranged such that the remote starting of pumps supplying the water-spray system and remote operation of any normally closed valves in the system can be carried out from a suitable location outside the cargo area, adjacent to the accommodation spaces and readily accessible and operable in the event of fire in the areas protected.

17.18.31 When ambient temperatures permit, a pressurized water hose ready for immediate use shall be available during loading and unloading operations, in addition to the above water-spray requirements.

17.19 Vinyl chloride

In cases where polymerization of vinyl chloride is prevented by addition of an inhibitor, 17.8 is applicable. In cases where no inhibitor has been added, or the inhibitor concentration is insufficient, any inert gas used for the purposes of 17.6 shall contain no more oxygen than 0.1% by volume. Before loading is started, inert gas samples from the tanks and piping shall be analysed. When vinyl chloride is carried, a positive pressure shall always be maintained in the tanks and during ballast voyages between successive carriages.

17.20 Mixed C4 cargoes

17.20.1 Cargoes that may be carried individually under the requirements of this Code, notably butane, butylenes and butadiene, may be carried as mixtures subject to the provisions of this section. These cargoes may variously be referred to as "Crude C4", "Crude butadiene", "Crude steam-cracked C4", "Spent steam-cracked C4", "C4 stream", "C4 raffinate", or may be shipped under a different description. In all cases, the material safety data sheets (MSDS) shall be consulted as the butadiene content of the mixture is of prime concern as it is potentially toxic and reactive. While it is recognized that butadiene has a relatively low vapour pressure, if such mixtures contain butadiene they shall be regarded as toxic and the appropriate precautions applied.

17.20.2 If the mixed C4 cargo shipped under the terms of this section contains more than 50% (mole) of butadiene, the inhibitor precautions in 17.8 shall apply.

17.20.3 Unless specific data on liquid expansion coefficients is given for the specific mixture loaded, the filling limit restrictions of Section 15 shall be calculated as if the cargo contained 100% concentration of the component with the highest expansion ratio.

17.21 Carbon dioxide: high purity

17.21.1 Uncontrolled pressure loss from the cargo can cause "sublimation" and the cargo will change from the liquid to the solid state. The precise "triple point" temperature of a particular carbon dioxide cargo shall be supplied before loading the cargo, and will depend on the purity of that cargo, and this shall be taken into account when cargo instrumentation is adjusted. The set pressure for the alarms and automatic actions described in this section shall be set to at least 0.05 MPa above the triple point for the specific cargo being carried. The "triple point" for pure carbon dioxide occurs at 0.5 MPa gauge and -54.4°C.

17.21.2 There is a potential for the cargo to solidify in the event that a cargo tank relief valve, fitted in accordance with 8.2, fails in the open position. To avoid this, a means of isolating the cargo tank safety valves shall be provided and the requirements of 8.2.9.2 do not apply when carrying this carbon dioxide. Discharge piping from safety relief valves shall be

designed so they remain free from obstructions that could cause clogging. Protective screens shall not be fitted to the outlets of relief valve discharge piping, so the requirements of 8.2.15 do not apply.

17.21.3 Discharge piping from safety relief valves are not required to comply with 8.2.10, but shall be designed so they remain free from obstructions that could cause clogging. Protective screens shall not be fitted to the outlets of relief valve discharge piping, so the requirements of 8.2.15 do not apply.

17.21.4 Cargo tanks shall be continuously monitored for low pressure when a carbon dioxide cargo is carried. An audible and visual alarm shall be given at the cargo control position and on the bridge. If the cargo tank pressure continues to fall to within 0.05 MPa of the "triple point" for the particular cargo, the monitoring system shall automatically close all cargo manifold liquid and vapour valves and stop all cargo compressors and cargo pumps. The emergency shutdown system required by 18.10 may be used for this purpose.

17.21.5 All materials used in cargo tanks and cargo piping system shall be suitable for the lowest temperature that may occur in service, which is defined as the saturation temperature of the carbon dioxide cargo at the set pressure of the automatic safety system described in 17.21.1.

17.21.6 Cargo hold spaces, cargo compressor rooms and other enclosed spaces where carbon dioxide could accumulate shall be fitted with continuous monitoring for carbon dioxide build-up. This fixed gas detection system replaces the requirements of 13.6, and hold spaces shall be monitored permanently even if the ship has type C cargo containment.

17.22 Carbon dioxide: reclaimed quality

17.22.1 The requirements of 17.21 also apply to this cargo. In addition, the materials of construction used in the cargo system shall also take account of the possibility of corrosion, in case the reclaimed quality carbon dioxide cargo contains impurities such as water, sulphur dioxide, etc., which can cause acidic corrosion or other problems.

SECTION 18**OPERATING REQUIREMENTS**

	Page
18.1 GENERAL	18- 2
18.2 CARGO OPERATIONS MANUALS	18- 2
18.3 CARGO INFORMATION	18- 2
18.4 SUITABILITY FOR CARRIAGE	18- 3
18.5 CARRIAGE OF CARGO AT LOW TEMPERATURE	18- 3
18.6 CARGO TRANSFER OPERATIONS	18- 4
18.7 PERSONNEL TRAINING	18- 4
18.8 ENTRY INTO ENCLOSED SPACES	18- 4
18.9 CARGO SAMPLING	18- 5
18.10 CARGO EMERGENCY SHUTDOWN (ESD) SYSTEM	18- 5
18.11 HOT WORK ON OR NEAR CARGO CONTAINMENT SYSTEMS	18- 8
18.12 ADDITIONAL OPERATING REQUIREMENTS	18- 8

Goal

To ensure that all ship staff involved in cargo operations have sufficient information about cargo properties and operating the cargo system so they can conduct cargo operations safely.

18.1 General

18.1.1 Those involved in liquefied gas carrier operations shall be made aware of the special requirements associated with, and precautions necessary for, their safe operation.

18.1.2 A copy of the Code, or national regulations incorporating the provisions of the Code, shall be on board every ship covered by the Code.

18.2 Cargo operations manuals

18.2.1 The ship shall be provided with copies of suitably detailed cargo system operation manuals approved by the Administration such that trained personnel can safely operate the ship with due regard to the hazards and properties of the cargoes that are permitted to be carried.

18.2.2 The content of the manuals shall include, but not be limited to:

- .1 overall operation of the ship from dry-dock to dry-dock, including procedures for cargo tank cooldown and warm-up, transfer (including ship-to-ship transfer), cargo sampling, gas-freeing, ballasting, tank cleaning and changing cargoes;
- .2 cargo temperature and pressure control systems;
- .3 cargo system limitations, including minimum temperatures (cargo system and inner hull), maximum pressures, transfer rates, filling limits and sloshing limitations;
- .4 nitrogen and inert gas systems;
- .5 firefighting procedures: operation and maintenance of firefighting systems and use of extinguishing agents;
- .6 special equipment needed for the safe handling of the particular cargo;
- .7 fixed and portable gas detection;
- .8 control, alarm and safety systems;
- .9 emergency shutdown systems;
- .10 procedures to change cargo tank pressure relief valve set pressures in accordance with 8.2.8 and 4.13.2.3; and
- .11 emergency procedures, including cargo tank relief valve isolation, single tank gas-freeing and entry and emergency ship-to-ship transfer operations.

18.3 Cargo information

18.3.1 Information shall be on board and available to all concerned in the form of a cargo information data sheet(s) giving the necessary data for the safe carriage of cargo. Such information shall include, for each product carried:

- .1 a full description of the physical and chemical properties necessary for the safe carriage and containment of the cargo;
- .2 reactivity with other cargoes that are capable of being carried on board in accordance with the International Certificate of Fitness for the Carriage of Liquefied Gases in Bulk;
- .3 the actions to be taken in the event of cargo spills or leaks;
- .4 countermeasures against accidental personal contact;
- .5 firefighting procedures and firefighting media;
- .6 special equipment needed for the safe handling of the particular cargo; and
- .7 emergency procedures.

18.3.2 The physical data supplied to the master, in accordance with 18.3.1.1, shall include information regarding the relative cargo density at various temperatures to enable the calculation of cargo tank filling limits in accordance with the requirements of Section 15.

18.3.3 Contingency plans in accordance with 18.3.1.3, for spillage of cargo carried at ambient temperature, shall take account of potential local temperature reduction such as when the escaped cargo has reduced to atmospheric pressure and the potential effect of this cooling on hull steel.

18.4 Suitability for carriage

18.4.1 The master shall ascertain that the quantity and characteristics of each product to be loaded are within the limits indicated in the International Certificate of Fitness for the Carriage of Liquefied Gases in Bulk required by 1.4, and in the Loading and Stability Information booklet required by 2.2.5, and that products are listed in the International Certificate of Fitness for the Carriage of Liquefied Gases in Bulk as required under section 4 of the certificate.

18.4.2 Care shall be taken to avoid dangerous chemical reactions if cargoes are mixed. This is of particular significance in respect of:

- .1 tank cleaning procedures required between successive cargoes in the same tank; and
- .2 simultaneous carriage of cargoes that react when mixed. This shall be permitted only if the complete cargo systems including, but not limited to, cargo pipework, tanks, vent systems and refrigeration systems are separated as defined in 1.2.47.

18.4.3 Where products are required to be inhibited, the certificate required by 17.8 shall be supplied before departure, otherwise the cargo shall not be transported.

18.5 Carriage of cargo at low temperature

When carrying cargoes at low temperatures:

- .1 the cooldown procedure laid down for that particular tank, piping and ancillary equipment shall be followed closely;

- .2 loading shall be carried out in such a manner as to ensure that design temperature gradients are not exceeded in any cargo tank, piping or other ancillary equipment; and
- .3 if provided, the heating arrangements associated with the cargo containment systems shall be operated in such a manner as to ensure that the temperature of the hull structure does not fall below that for which the material is designed.

18.6 Cargo transfer operations

18.6.1 A pre-cargo operations meeting shall take place between ship personnel and the persons responsible at the transfer facility. Information exchanged shall include the details of the intended cargo transfer operations and emergency procedures. A recognized industry checklist shall be completed for the intended cargo transfer and effective communications shall be maintained throughout the operation.

18.6.2 Essential cargo handling controls and alarms shall be checked and tested prior to cargo transfer operations.

18.7 Personnel training

18.7.1 Personnel shall be adequately trained in the operational and safety aspects of liquefied gas carriers as required by the International Convention on Standards of Training, Certification and Watchkeeping for Seafarers, 1978, as amended (1), the International Safety Management Code and the Medical First Aid Guide (MFAG). As a minimum:

- .1 all personnel shall be adequately trained in the use of protective equipment provided on board and have basic training in the procedures, appropriate to their duties, necessary under emergency conditions; and
- .2 officers shall be trained in emergency procedures to deal with conditions of leakage, spillage or fire involving the cargo, based on the guidelines developed by the Organization (2) and a sufficient number of them shall be instructed and trained in essential first aid for the cargoes carried.

18.8 Entry into enclosed spaces (3)

18.8.1 Under normal operational circumstances, personnel shall not enter cargo tanks, hold spaces, void spaces or other enclosed spaces where gas may accumulate, unless the gas content of the atmosphere in such space is determined by means of fixed or portable equipment to ensure oxygen sufficiency and the absence of toxic atmosphere.

18.8.2 If it is necessary to gas-free and aerate a hold space surrounding a type A cargo tank for routine inspection, and flammable cargo is carried in the cargo tank, the inspection shall be conducted when the tank contains only the minimum amount of cargo "heel" to keep the cargo tank cold. The hold shall be re-inerted as soon as the inspection is completed.

-
- (1) *In particular to the Mandatory minimum requirements for the training and qualifications of masters, officers and ratings of liquefied gas tankers, regulation V/3, chapter V of the annex to the Convention, and to resolution 12 of the International Conference on Training and Certification of Seafarers, 1978.*
- (2) *Refer to the Medical First Aid Guide for Use in Accidents Involving Dangerous Goods (MFAG), which provides advice on the treatment of casualties in accordance with the symptoms exhibited as well as equipment and antidotes that may be appropriate for treating the casualty, and to the relevant provisions of the STCW Code, parts A and B*
- (3) *Refer to the Revised recommendations for entering enclosed spaces aboard ships, adopted by the Organization by resolution A.1050(27).*

18.8.3 Personnel entering any space designated as a hazardous area on a ship carrying flammable products shall not introduce any potential source of ignition into the space, unless it has been certified gas-free and is maintained in that condition.

18.9 Cargo sampling

18.9.1 Any cargo sampling shall be conducted under the supervision of an officer who shall ensure that protective clothing appropriate to the hazards of the cargo is used by everyone involved in the operation.

18.9.2 When taking liquid cargo samples, the officer shall ensure that the sampling equipment is suitable for the temperatures and pressures involved, including cargo pump discharge pressure, if relevant. **18.9.3** The officer shall ensure that any cargo sample equipment used is connected properly to avoid any cargo leakage. **18.9.4** If the cargo to be sampled is a toxic product, the officer shall ensure that a "closed loop" sampling system as defined in 1.2.15 is used to minimize any cargo release to atmosphere. **18.9.5** After sampling operations are completed, the officer shall ensure that any sample valves used are closed properly and the connections used are correctly blanked.

18.10 Cargo emergency shutdown (ESD) system

18.10.1 General

18.10.1.1 A cargo emergency shutdown system shall be fitted to stop cargo flow in the event of an emergency, either internally within the ship, or during cargo transfer to ship or shore. The design of the ESD system shall avoid the potential generation of surge pressures within cargo transfer pipe work (see 18.10.2.1.4).

18.10.1.2 Auxiliary systems for conditioning the cargo that use toxic or flammable liquids or vapours shall be treated as cargo systems for the purposes of ESD. Indirect refrigeration systems using an inert medium, such as nitrogen, need not be included in the ESD function.

18.10.1.3 The ESD system shall be activated by the manual and automatic initiations listed in table 18.1. Any additional initiations shall only be included in the ESD system if it can be shown that their inclusion does not reduce the integrity and reliability of the system overall.

18.10.1.4 Ship's ESD systems shall incorporate a ship-shore link in accordance with recognized standards **(1)**.

18.10.1.5 A functional flow chart of the ESD system and related systems shall be provided in the cargo control station and on the navigation bridge.

18.10.2 ESD valve requirements

18.10.2.1 General

18.10.2.1.1 The term ESD valve means any valve operated by the ESD system.

(1) *ISO 28460:2010 Petroleum and natural gas industries – Installation and equipment for liquefied natural gas – Ship-to-shore interface and port operations.*

18.10.2.1.2 ESD valves shall be remotely operated, be of the fail-closed type (closed on loss of actuating power), be capable of local manual closure and have positive indication of the actual valve position. As an alternative to the local manual closing of the ESD valve, a manually operated shut-off valve in series with the ESD valve shall be permitted. The manual valve shall be located adjacent to the ESD valve. Provisions shall be made to handle trapped liquid should the ESD valve close while the manual valve is also closed.

18.10.2.1.3 ESD valves in liquid piping systems shall close fully and smoothly within 30 s of actuation. Information about the closure time of the valves and their operating characteristics shall be available on board, and the closing time shall be verifiable and repeatable.

18.10.2.1.4 The closing time of the valve referred to in 13.3.1 to 13.3.3 (i.e. time from shutdown signal initiation to complete valve closure) shall not be greater than:

$$\frac{3600 \cdot U}{L_R} \quad (\text{second})$$

where:

U = ullage volume at operating signal level (m³);

LR = maximum loading rate agreed between ship and shore facility (m³/h).

The loading rate shall be adjusted to limit surge pressure on valve closure to an acceptable level, taking into account the loading hose or arm, the ship and the shore piping systems, where relevant.

18.10.2.2 Ship-shore and ship-ship manifold connections

One ESD valve shall be provided at each manifold connection. Cargo manifold connections not being used for transfer operations shall be blanked with blank flanges rated for the design pressure of the pipeline system.

18.10.2.3 Cargo system valves

If cargo system valves as defined in section 5.5 are also ESD valves within the meaning of 18.10, then the requirements of 18.10 shall apply.

18.10.3 ESD system controls

18.10.3.1 As a minimum, the ESD system shall be capable of manual operation by a single control on the bridge and either in the control position required by 13.1.2 or the cargo control room, if installed, and no less than two locations in the cargo area.

18.10.3.2 The ESD system shall be automatically activated on detection of a fire on the weather decks of the cargo area and/or cargo machinery spaces. As a minimum, the method of detection used on the weather decks shall cover the liquid and vapour domes of the cargo tanks, the cargo manifolds and areas where liquid piping is dismantled regularly. Detection may be by means of fusible elements designed to melt at temperatures between 98°C and 104°C, or by area fire detection methods.

18.10.3.3 Cargo machinery that is running shall be stopped by activation of the ESD system in accordance with the cause and effect matrix in table 18.1.

18.10.3.4 The ESD control system shall be configured so as to enable the high-level testing required in 13.3.5 to be carried out in a safe and controlled manner. For the purpose of the testing, cargo pumps may be operated while the overflow control system is overridden. Procedures for level alarm testing and re-setting of the ESD system after completion of the high-level alarm testing shall be included in the operation manual required by 18.2.1.

Table 18.1 – ESD functional arrangements

a	Pumps		Compressor systems				Valves	Link
	Cargo pumps / cargo booster pumps	Spray/stripping pumps	Vapour return compressors	Fuel gas compressors	Reliquefaction plant *** including condensate return pumps, if fitted	Gas combustion unit	EDS valves	Signal to ship/shore linkk ****
Shutdown action→ Initiation ↓								
Emergency push buttons (see 18.10.3.1)	✓	✓	✓	Note 2	✓	✓	✓	✓
Fire detection on deck or in compressor house* (see 18.10.3.2)	✓	✓	✓	✓	✓	✓	✓	✓
High level in cargo tank (see 13.3.2 and 13.3.3)	✓	✓	✓	Note 2 Note 2	Note 1 Note 3	Note 1	Note 6	✓
Signal from ship/shore link (see 18.10.1.4)	✓	✓	✓	Note 2	Note 3	n/a	✓	n/a
Loss of motive power to ESD valves **	✓	✓	✓	Note 2	Note 3	n/a	✓	✓
Main electric power failure ("blackout")	Note 7	Note 7	Note 7	Note 7	Note 7	Note 7	✓	✓
Level alarm override (see 13.3.7)	Note 4	Note 4 Note 5		Note 1	Note 1	Note 1	✓	✓

Note 1: These items of equipment can be omitted from these specific automatic shutdown initiators, provided the equipment inlets are protected against cargo liquid ingress.

Note 2: If the fuel gas compressor is used to return cargo vapour to shore, it shall be included in the ESD system when operating in this mode.

Note 3: If the reliquefaction plant compressors are used for vapour return/shore line clearing, they shall be included in the ESD system when operating in that mode.

Note 4: The override system permitted by 13.3.7 may be used at sea to prevent false alarms or shutdowns. When level alarms are overridden, operation of cargo pumps and the opening of manifold ESD valves shall be inhibited except when high-level alarm testing is carried out in accordance with 13.3.5 (see 18.10.3.4)

- Note 5: Cargo spray or stripping pumps used to supply forcing vaporizer may be excluded from the ESD system only when operating in that mode.
- Note 6: The sensors referred to in 13.3.2 may be used to close automatically the tank filling valve for the individual tank where the sensors are installed, as an alternative to closing the ESD valve referred to in 18.10.2.2. If this option is adopted, activation of the full ESD system shall be initiated when the high-level sensors in all the tanks to be loaded have been activated.
- Note 7: These items of equipment shall be designed not to restart upon recovery of main electric power and without confirmation of safe conditions.
- * Fusible plugs, electronic point temperature monitoring or area fire detection may be used for this purpose on deck.
- ** Failure of hydraulic, electric or pneumatic power for remotely operated ESD valve actuators.
- *** Indirect refrigeration systems which form part of the reliquefaction plant do not need to be included in the ESD function if they employ an inert medium such as nitrogen in the refrigeration cycle.
- **** Signal need not indicate the event initiating ESD.
- ✓ Functional requirement.
- N/A Not applicable.

18.10.4 Additional shutdowns

18.10.4.1 The requirements of 8.3.1.1 to protect the cargo tank from external differential pressure may be fulfilled by using an independent low pressure trip to activate the ESD system, or, as minimum, to stop any cargo pumps or compressors.

18.10.4.2 An input to the ESD system from the overflow control system required by 13.3 may be provided to stop any cargo pumps or compressors' running at the time a high level is detected, as this alarm may be due to inadvertent internal transfer of cargo from tank to tank.

18.10.5 Pre-operations testing

Cargo emergency shutdown and alarm systems involved in cargo transfer shall be checked and tested before cargo handling operations begin.

18.11 Hot work on or near cargo containment systems

18.11.1 Special fire precautions shall be taken in the vicinity of cargo tanks and, particularly, insulation systems that may be flammable or contaminated with hydrocarbons or that may give off toxic fumes as a product of combustion.

18.12 Additional operating requirements

Additional operating requirements will be found in the following paragraphs of the Code:

2.2.2, 2.2.5, 2.2.8, 3.8.4, 3.8.5, 5.3.2, 5.3.3.3, 5.7.3, 7.1, 8.2.7, 8.2.8, 8.2.9, 9.2, 9.3, 9.4.4, 12.1.1, 13.1.3, 13.3.6, 13.6.18, 14.3.3, 15.3, 15.6, 16.6.3, 17.4.2, 17.6, 17.7, 17.9, 17.10, 17.11, 17.12, 17.13, 17.14, 17.16, 17.18, 17.19, 17.21, 17.22.

SECTION 19

SUMMARY OF MINIMUM REQUIREMENTS

	Page
19.1 EXPLANATORY NOTES TO THE SUMMARY OF MINIMUM REQUIREMENTS	19- 2

19.1 Explanatory notes to the summary of minimum requirements

Product name (column a)	The product name shall be used in the shipping document for any cargo offered for bulk shipments. Any additional name may be included in brackets after the product name. In some cases, the product names are not identical with the names given in previous issues of the Code.
(column b)	Deleted
Ship type (column c)	1: Ship type 1G (2.1.2.1) 2: Ship type 2G (2.1.2.2) 3: Ship type 2PG (2.1.2.3) 4: Ship type 3G (2.1.2.4)
Independent tank type C required (column d)	Type C independent tank (4.23)
Tank environmental control (column e)	Inert: Inerting (9.4) Dry: Drying (17.7) - : No special requirements under the Code
Vapour detection (column f)	F: Flammable vapour detection T: Toxic vapour detection F+T: Flammable and toxic vapour detection A: Asphixiant
Gauging (column g)	I: Indirect or closed (13.2.3.1 and .2) R: Indirect, closed or restricted (13.2.3.1, .2, .3 and .4) C: Indirect or closed (13.2.3.1, .2 and .3)
(column b)	Deleted
Special requirements (column i)	When specific reference is made to chapters 14 and/or 17, these requirements shall be additional to the requirements in any other column.
Refrigerant gases	Non-toxic and non-flammable gases

Unless otherwise specified, gas mixtures containing less than 5% total acetylenes may be transported with no further requirements than those provided for the major components.

a	b	c	d	e	f	g	h
Product name		Ship type	Independent tank type C required	Control of vapour space within cargo tanks	Vapour detection	Gauging	Special requirements
Acetaldehyde		2G/2PG	-	Inert	F + T	C	14.4.2, 14.3.3.1, 17.4.1, 17.6.1
Ammonia, anhydrous		2G/2PG	-	-	T	C	14.4, 17.2.1, 17.12
Butadiene (all isomers)		2G/2PG	-	-	F + T	R	14.4, 17.2.2, 17.4.2, 17.4.3, 17.6, 17.8
Butane (all isomers)		2G/2PG	-	-	F	G	
Butane-propane mixtures		2G/2PG	-	-	F	R	
Butylenes (all isomers)		2G/2PG	-	-	F	R	
Carbon dioxide (high purity)		3G	-	-	A	R	17.21
Carbon dioxide (reclaimed quality)		3G			A	R	17.22
Chlorine		1G	Yes	Dry	T	I	14.4, 17.3.2, 17.4.1, 17.5, 17.7, 17.9, 17.13
Diethyl ether*		2G/2PG	-	Inert	F + T	C	14.4.1, 14.4.2, 17.2.6, 17.3.1, 17.6.1, 17.9, 17.10, 17.11.2, 17.11.3
Dimethylamine		2G/2PG	-	-	F + T	C	14.4, 17.2.1
Dimethyl ether		2G/2PG	-	-	F + T	C	
Ethane		2G	-	-	F	R	
Ethyl chloride		2G/2PG	-	-	F + T	R	
Ethylene		2G	-	-	F	R	
Ethylene oxide		1G	Yes	Inert	F + T	C	14.4, 17.2.2, 17.3.2, 17.4.1, 17.5, 17.6.1, 17.14
Ethylene oxide-propylene oxide mixtures with ethylene oxide content of not more than 30% by weight*		2G/2PG	-	Inert	F + T	C	14.4.2, 17.3.1, 17.4.1, 17.6.1, 17.9, 17.10, 17.18
Isoprene* (all isomers)		2G/2PG	-	-	F	R	14.4.2, 17.8, 17.9, 17.11.1
Isoprene* (part refined)		2G/2PG			F		14.4.2, 17.8, 17.9, 17.11.1
Isopropylamine*		2G/2PG	-	-	F + T	C	14.4.1, 14.4.2, 17.2.4, 17.9, 17.10, 17.11.1, 17.15
Methane (LNG)		2G	-	-	F	C	

a	b	c	d	e	f	g	h
Product name		Ship type	Independent tank type C required	Control of vapour space within cargo tanks	Vapour detection	Gauging	Special requirements
Methyl acetylene-propadiene mixtures		2G/2PG			F	R	17.16
Methyl bromide		1G	Yes		F + T	C	
Methyl chloride		2G/2PG	-		F + T	C	
Mixed C4 Cargoes		2G/2PG	-	Inert	F + T	C	14.4.2, 14.3.3.1, 17.4.1, 17.6.1
Monoethylamine*		2G/2PG	-	-	F + T	C	14.4, 17.2.1, 17.12
Nitrogen		3G	-	-	A	R	14.4, 17.2.2, 17.4 .2, 17.4 .3, 17.6, 17.8
Pentanes (all isomers)*		2G/2PG	-	-	F	G	
Pentene (all isomers)*		2G/2PG	-	-	F	R	
Propane		2G/2PG	-	-	F	R	
Propylene		2G/2PG	--	-	F	R	17.21
Propylene oxide*		2G/2PG	-	Inert	F + T		
Refrigerant gases		3G	-	-	-		
Sulphur dioxide		1G	Yes	Dry	t		
Vinyl chloride		2G/2PG	-	-	F + T		
Vinyl ethyl ether*		2G/2PG	-	Inert	F + T		
Vinyl chloride*		2G/2PG	-	Inert	F + T	C	

* This cargo is also covered by the IBC Code.

APPENDIX 1

IGC CODE PRODUCT DATA REPORTING

FORM

Characteristics of products proposed for transport on the IGC Code ships

1. PRODUCT IDENTITY

Product name

The product name should be used in the shipping document for any cargo offered for bulk shipments. Any additional name may be included in brackets after the product name.

1.1 Other names and identification numbers

Main trade name : _____
 Main chemical name : _____
 Chemical Formula : _____
 C.A.S number : _____
 EHS number : _____
 BMR number : _____
 RTECS number : _____

1.2 Associated synonyms

Structure

Synonym name

Type

Synonym name	Type

1.3 Composition

Component name

%

Type

Component name	%	Type

2. Physical properties

Property Reference/ comments	Units	Qual	Lower value	Upper value	
Molecular weight		<input type="text"/>	<input type="text"/>	<input type="text"/>	<input type="text"/>
Density at 20°C	(kg/m ³)	<input type="text"/>	<input type="text"/>	<input type="text"/>	<input type="text"/>
Flash point (c.c)	(°C)	<input type="text"/>	<input type="text"/>	<input type="text"/>	<input type="text"/>
Boiling point	(°C)	<input type="text"/>	<input type="text"/>	<input type="text"/>	<input type="text"/>
Water solubility at 20°C	(mg/l)	<input type="text"/>	<input type="text"/>	<input type="text"/>	<input type="text"/>
Vapour pressure at 20°C	(Pa)	<input type="text"/>	<input type="text"/>	<input type="text"/>	<input type="text"/>
Auto-ignition temperature	(°C)	<input type="text"/>	<input type="text"/>	<input type="text"/>	<input type="text"/>
Explosion limits	(% v/v)	<input type="text"/>	<input type="text"/>	<input type="text"/>	<input type="text"/>
MESG	(mm)	<input type="text"/>	<input type="text"/>	<input type="text"/>	<input type="text"/>

3. Relevant chemical properties

Water reactivity (0-2)

0 = No reactivity
1 = Reactive
2 = Highly

Details

Does the product react with air to cause a potentially hazardous situation (Y/N)

If so, provide details

Reference

Is an inhibitor or stabilizer needed to prevent a hazardous reaction (Y/N)

If so, provide details

Reference

4. Mammalian toxicity

4.1 Acute toxicity Qual Lower value Upper value Species Reference/
comments

Oral (mg/kg)	LD ₅₀	<input type="text"/>	<input type="text"/>	<input type="text"/>	<input type="text"/>	<input type="text"/>
Dermal (mg/kg)	LD ₅₀	<input type="text"/>	<input type="text"/>	<input type="text"/>	<input type="text"/>	<input type="text"/>
Inhalation (mg/l/4h)	LD ₅₀	<input type="text"/>	<input type="text"/>	<input type="text"/>	<input type="text"/>	<input type="text"/>

4.2 Corrosivity and irritation

	Units	Qual	Lower Value	Upper Value	Reference/ Comments
Skin corrosion time	(hours)	<input type="text"/>	<input type="text"/>	<input type="text"/>	<input type="text"/>
Skin irritation (4-hour exposure)		Resultant observation <input type="text"/>	Species <input type="text"/>	Reference/ Comments <input type="text"/>	
Eye irritation		<input type="text"/>	<input type="text"/>	<input type="text"/>	<input type="text"/>

Not irritating, slightly irritating, mildly irritating, moderately irritating, severely irritating or corrosive

4.3 Sensitization

		Reference/ Comments
Respiratory sensitizer (in humans)	(Y/N) <input type="text"/>	<input type="text"/>
Skin sensitization	(Y/N) <input type="text"/>	<input type="text"/>

4.4 Other specific long-term effects

	Reference/ Comments
Carcinogen (Y/N)	<input type="text"/>
Mutagen (Y/N)	<input type="text"/>
Toxic to reproduction (Y/N)	<input type="text"/>
Other long term (Y/N)	<input type="text"/>

4.5 Other relevant mammalian toxicity

5. Proposed carriage requirements

Column in the IGC Code	Property	Value
c	Ship type	
d	Type C independent tank required	
e	Control of vapour space within cargo tank	
f	Vapour detection	
g	Gauging	
i	Special requirements	

APPENDIX 2

**MODEL FORM OF INTERNATIONAL CERTIFICATE OF FITNESS
FOR THE CARRIAGE OF LIQUEFIED GASES IN BULK**

**INTERNATIONAL CERTIFICATE OF FITNESS FOR
THE CARRIAGE OF LIQUEFIED GASES IN BULK**

(Official seal)

Issued under the provisions of the
INTERNATIONAL CODE FOR THE CONSTRUCTION AND EQUIPMENT
OF SHIPS CARRYING LIQUEFIED GASES IN BULK

under the authority of the Government of

.....

(full official designation of country)

by.....

(full designation of the competent person or
organization recognized by the Administration)

Particulars of ship (1)

Name of ship

Distinctive number or letters

IMO number **(2)**

Port of registry

Cargo capacity (m³)

Ship type **(3)** (Code paragraph 2.1.2)

Date on which keel was laid or on
which the ship was at a similar stage
of construction or, in the case of
a converted ship, date on which
conversion to a gas carrier was
commenced

The ship also complies fully with the following amendments to the Code:

.....
.....

The ship is exempted from compliance with the following provisions of the Code:

.....
.....

THIS IS TO CERTIFY:

- 1 That the ship has been surveyed in accordance with the provisions of section 1.4 of the Code.
- 2 That the survey showed that the construction and equipment of the ship and the condition thereof are in all respects satisfactory and that the ship complies with the relevant provisions of the Code.
- 3 That the following design criteria have been used:
 - .1 ambient air temperature°C(4)
 - .2 ambient water temperature.....°C(4)
 - .3

Tank type and number	Stress factors (5)				Materials (5)	MARVS(6)
	A	B	C	D		
Cargo piping						

Note: Tank numbers referred to in this list are identified on attachment 2, signed and dated tank plan.

- .4 Mechanical properties of the cargo tank materials were determined at°C (7).
- 4 That the ship is suitable for the carriage in bulk of the following products provided that all the relevant operational provisions of the Code are observed (8).

Products	Conditions of carriage (tank numbers, etc.)	Minimum temperature

Continued on attachment 1, additional signed and dated sheets.
 Tank numbers referred to in this list are identified on attachment 2, signed and dated tank plan.

- 5 That, in accordance with 1.4/2.6.2*, the provisions of the Code are modified in respect of the ship in the following manner:

.....
- 6 That the ship shall be loaded:
 - .1* only in accordance with loading conditions verified compliant with intact and damage stability requirements using the approved stability instrument fitted in accordance with paragraph 2.2.6 of the Code

- .2*** where a dispensation permitted by paragraph 2.2.7 of the Code applies and the approved stability instrument required by paragraph 2.2.6 of the Code is not fitted, loading shall be made in accordance with one or more of the following approved methods:
- .i *** in accordance with the loading conditions provided in the approved loading manual, stamped and dated and signed by a responsible officer of the Administration, or of an organization recognized by the Administration; or .
 - .ii *** in accordance with loading conditions verified remotely using an approved means.....; or
 - .iii *** in accordance with a loading condition which lies within an approved range of conditions defined in the approved loading manual referred to in i above; or
 - .iv *** in accordance with a loading condition verified using approved critical KG/GM data defined in the approved loading manual referred to in i above;
- .3*** in accordance with the loading limitations appended to this Certificate.

Where it is required to load the ship other than in accordance with the above instruction, then the necessary calculations to justify the proposed loading conditions shall be communicated to the certifying Administration who may authorize in writing the adoption of the proposed loading condition.**

This Certificate is valid until
subject to surveys in accordance with 1.4 of the Code.

Completion date of the survey on which this certificate is based:
(dd/mm/yyyy)

Issued at
(Place of issue of certificate)

.....
(Date of issue)

.....
(Signature of authorized official
issuing the certificate)

(Seal or stamp of the authority, as appropriate)

* *Delete as appropriate.*

** *Instead of being incorporated in the Certificate, this text may be appended to the Certificate, if duly signed and stamped.*

Notes on completion of certificate:

- (1) Alternatively, the particulars of the ship may be placed horizontally in boxes.
- (2) In accordance with IMO ship identification number scheme, adopted by the Organization by resolution A.600(15).
- (3) Any entry shall be related to all relevant recommendations, e.g. an entry "type 2G" shall mean type 2G in all respects prescribed by the Code.
- (4) The ambient temperature required for the purposes of 4.19.1.1 is to be inserted.
- (5) The stress factors and materials acceptable under 4.22.3.1 and 4.23.3.1 of the Code are to be inserted.
- (6) All relief valve settings assigned in accordance with 4.13.2 are to be inserted.
- (7) Temperatures accepted by the Administration or recognized organization acting on its behalf for the purposes of 4.18.1.3 are to be inserted.
- (8) Only products listed in Section 19 of the Code or products that have been evaluated by the Administration in accordance with paragraph 1.1.6.1, or their compatible mixtures having physical proportions within the limitations of tank design, shall be listed. In respect of the latter "new products", any special requirements provisionally agreed under the tripartite agreement shall be indicated in an addendum to the certificate.

ENDORSEMENT FOR ANNUAL AND INTERMEDIATE SURVEYS

THIS IS TO CERTIFY that at a survey required by 1.4.2 of the Code the ship was found to comply with the relevant provisions of the Code.

Annual survey: Signed:
 (Signature of duly authorized official)
 Place:
 Date (dd/mm/yyyy):

(Seal or stamp of the Authority, as appropriate)

Annual/Intermediate* survey: Signed:
 (Signature of duly authorized official)
 Place:
 Date (dd/mm/yyyy):

(Seal or stamp of the Authority, as appropriate)

Annual/Intermediate* survey: Signed:
 (Signature of duly authorized official)
 Place:
 Date (dd/mm/yyyy):

(Seal or stamp of the Authority, as appropriate)

Annual survey: Signed:
 (Signature of duly authorized official)
 Place:
 Date (dd/mm/yyyy):

(Seal or stamp of the Authority, as appropriate)

* *Delete as appropriate.*

**ANNUAL/INTERMEDIATE SURVEY IN ACCORDANCE WITH
PARAGRAPH 1.4.6.8.3**

THIS IS TO CERTIFY that, at an annual/intermediate* survey in accordance with paragraph 1.4.6.8.3 of the Code, the ship was found to comply with the relevant provisions of the Code:

Signed:
(Signature of duly authorized official)
Place:
Date (dd/mm/yyyy):

(Seal or stamp of the Authority, as appropriate)

**ENDORSEMENT TO EXTEND THE CERTIFICATE IF VALID
FOR LESS THAN 5 YEARS WHERE PARAGRAPH 1.4.6.3 APPLIES**

The ship complies with the relevant provisions of the Code, and this Certificate shall, in accordance with paragraph 1.4.6.3 of the Code, be accepted as valid until

Signed:
(Signature of duly authorized official)
Place:
Date (dd/mm/yyyy):

(Seal or stamp of the Authority, as appropriate)

**ENDORSEMENT WHERE THE RENEWAL SURVEY HAS BEEN
COMPLETED AND PARAGRAPH 1.4.6.4 APPLIES**

The ship complies with the relevant provisions of the Code, and this Certificate shall, in accordance with paragraph 1.4.6.4 of the Code, be accepted as valid until

Annual survey:

Signed:
(Signature of duly authorized official)
Place:
Date (dd/mm/yyyy):

(Seal or stamp of the Authority, as appropriate)

* *Delete as appropriate.*

**ENDORSEMENT TO EXTEND THE VALIDITY OF THE CERTIFICATE
UNTIL REACHING THE PORT OF SURVEY OR FOR A PERIOD
OF GRACE WHERE PARAGRAPH 1.4.6.5 OR 1.4.6.6 APPLIES**

This Certificate shall, in accordance with paragraph 1.4.6.5/1.4.6.6* of the Code, be accepted as valid until

Signed:

(Signature of duly authorized official)

Place:

Date (dd/mm/yyyy):

(Seal or stamp of the Authority, as appropriate)

**ENDORSEMENT FOR ADVANCEMENT OF ANNIVERSARY DATE
WHERE PARAGRAPH 1.4.6.8 APPLIES**

In accordance with paragraph 1.4.6.8 of the Code, the new anniversary date is

Signed:

(Signature of duly authorized official)

Place:

Date (dd/mm/yyyy):

(Seal or stamp of the Authority, as appropriate)

In accordance with paragraph 1.4.6.8, the new anniversary date is

Signed:

(Signature of duly authorized official)

Place:

Date (dd/mm/yyyy):

(Seal or stamp of the Authority, as appropriate)

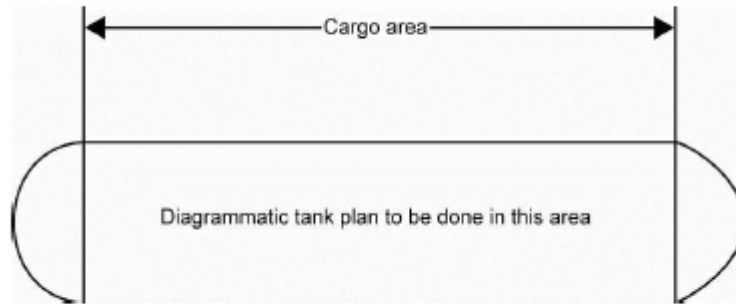
* *Delete as appropriate.*

**ATTACHMENT 2
TO THE INTERNATIONAL CERTIFICATE OF FITNESS FOR
THE CARRIAGE OF LIQUEFIED GASES IN BULK**

TANK PLAN (specimen)

Name of ship:

Distinctive number or letters:



Date:
(as for Certificate)

.....
(Signature of official issuing the
Certificate and/or seal of issuing authority)

APPENDIX 3
EXAMPLE OF AN ADDENDUM
TO THE INTERNATIONAL CERTIFICATE OF FITNESS FOR THE
CARRIAGE OF LIQUEFIED GASES IN BULK

Addendum to Certificate No.:			Issued at: dd/mm/yyyy		
Issued in pursuance of the International Code for the Construction and Equipment of Ships Carrying Liquefied Gases in Bulk, as amended, under the authority of the Government of: <p style="text-align: center;">.....</p>					
Name of ship	Distinctive number or letters	IMO number	Port of registry	Cargo capacity (m³)	Ship type

THIS IS TO CERTIFY:

That the ship meets the requirements for the carriage in bulk of the following product(s), provided that all relevant operational provisions of the Code are observed:

Product	Conditions of carriage (tank numbers, etc.)	Minimum temperature	MARVS

The transportation of this product is permitted between the following countries:

The issuance of this Addendum is based on document:

The Tripartite Agreement for this product is valid until: (dd/mm/yyyy).....

This Addendum will remain in force until: (dd/mm/yyyy).....

Place and date of issue: (dd/mm/yyyy).....

Signed:
 (signature of authorized official)

APPENDIX 4 NON-METALLIC MATERIALS

1. General

1.1 The guidance given in this appendix is in addition to the requirements of 4.19, where applicable to non-metallic materials.

1.2 The manufacture, testing, inspection and documentation of non-metallic materials should in general comply with recognized standards, and with the specific requirements of this Code, as applicable.

1.3 When selecting a non-metallic material, the designer should ensure that it has properties appropriate to the analysis and specification of the system requirements. A material can be selected to fulfil one or more requirements.

1.4 A wide range of non-metallic materials may be considered. Therefore, the section below on material selection criteria cannot cover every eventuality and should be considered as guidance.

2. Material selection criteria

2.1 Non-metallic materials may be selected for use in various parts of liquefied gas carrier cargo systems based on consideration of the following basic properties:

- .1 insulation – the ability to limit heat flow;
- .2 load bearing – the ability to contribute to the strength of the containment system;
- .3 tightness – the ability to provide liquid and vapour tight barriers;
- .4 joining – the ability to be joined (for example by bonding, welding or fastening).

2.2 Additional considerations may apply depending on the specific system design.

3. Properties of materials

3.1 Flexibility of insulating material is the ability of an insulating material to be bent or shaped easily without damage or breakage.

3.2 Loose fill material is a homogeneous solid generally in the form of fine particles, such as a powder or beads, normally used to fill the voids in an inaccessible space to provide an effective insulation.

3.3 Nanomaterial is a material with properties derived from its specific microscopic structure.

3.4 Cellular material is a material type containing cells that are either open, closed or both and which are dispersed throughout its mass.

3.5 Adhesive material is a product that joins or bonds two adjacent surfaces together by an adhesive process.

3.6 Other materials are materials that are not characterized in this section of the Code and should be identified and listed. The relevant tests used to evaluate the suitability of material for use in the cargo system should be identified and documented

4. Material selection and testing requirements

4.1 Material specification

4.1.1 When the initial selection of a material has been made, tests should be conducted to validate the suitability of this material for the use intended.

4.1.2 The material used should clearly be identified and the relevant tests should be fully documented.

4.1.3 Materials should be selected according to their intended use. They should:

- .1 be compatible with all the products that may be carried;
- .2 not be contaminated by any cargo nor react with it;
- .3 not have any characteristics or properties affected by the cargo; and
- .4 be capable to withstand thermal shocks within the operating temperature range.

4.2 Material testing

The tests required for a particular material depend on the design analysis, specification and intended duty. The list of tests below is for illustration. Any additional tests required, for example in respect of sliding, damping and galvanic insulation, should be identified clearly and documented. Materials selected according to 4.1 of this appendix should be tested further according to the following table:

Function	Insulation	Load bearing structural	Tightness	Joining
Mechanical tests		X		X
Tightness tests			X	
Thermal tests	X			

Thermal shock testing should submit the material and/or assembly to the most extreme thermal gradient it will experience when in service.

4.2.1 Inherent properties of materials

4.2.1.1 Tests should be carried out to ensure that the inherent properties of the material selected will not have any negative impact in respect of the use intended.

4.2.1.2 For all selected materials, the following properties should be evaluated:

- .1 density; example standard ISO 845; and
- .2 linear coefficient of thermal expansion (LCTE); example standard ISO 11359 across the widest specified operating temperature range. However, for loose fill material the volumetric coefficient of thermal expansion (VCTE) should be evaluated, as this is more relevant.

4.2.1.3 Irrespective of its inherent properties and intended duty, all materials selected should be tested for the design service temperature range down to 5°C below the minimum design temperature, but not lower than -196°C.

4.2.1.4 Each property evaluation test should be performed in accordance with recognized standards. Where there are no such standards, the test procedure proposed should be fully detailed and submitted to the Administration for acceptance. Sampling should be sufficient to ensure a true representation of the properties of the material selected.

4.2.2 Mechanical tests

4.2.2.1 The mechanical tests should be performed in accordance with the following table

Mechanical tests	Load bearing structural
Tensile	ISO 527 ISO 1421 ISO 3346 ISO 1926
Shearing	ISO 4587 ISO 3347 ISO 1922 ISO 6237
Compressive	ISO 604 ISO 844 ISO 3132
Bending	ISO 3133 ISO 14679
Creep	ISO 7850

4.2.2.2 If the chosen function for a material relies on particular properties such as tensile, compressive and shear strength, yield stress, modulus or elongation, these properties should be tested to a recognized standard. If the properties required are assessed by numerical simulation according to a high order behaviour law, the testing should be performed to the satisfaction of the Administration.

4.2.2.3 Creep may be caused by sustained loads, for example cargo pressure or structural loads. Creep testing should be conducted based on the loads expected to be encountered during the design life of the containment system.

4.2.3 Tightness tests

4.2.3.1 The tightness requirement for the material should relate to its operational functionality.

4.2.3.2 Tightness tests should be conducted to give a measurement of the material's permeability in the configuration corresponding to the application envisaged (e.g. thickness

4.2.3.3 The tightness tests should be based on the tests indicated as examples in the following table.

Tightness tests	Tightness
Porosity/Permeability	ISO 15106 ISO 2528 ISO 2782

4.2.4 Thermal conductivity tests

4.2.4.1 Thermal conductivity tests should be representative of the lifecycle of the insulation material so its properties over the design life of the cargo system can be assessed. If these properties are likely to deteriorate over time, the material should be aged as best possible in an environment corresponding to its lifecycle, for example operating temperature, light, vapour and installation (e.g. packaging, bags, boxes, etc.).

4.2.4.2 Requirements for the absolute value and acceptable range of thermal conductivity and heat capacity should be chosen taking into account the effect on the operational efficiency of the cargo containment system. Particular attention should also be paid to the sizing of the associated cargo handling system and components such as safety relief valves plus vapour return and handling equipment.

4.2.4.3 Thermal tests should be based on the tests indicated as examples in the following table or their equivalents:

Thermal tests	Insulating
Thermal conductivity	ISO 8301 ISO 8302
Heat capacity	X

4.2.5 Physical tests

4.2.5.1 In addition to the requirements of 4.19.2.3 and 4.19.3.2, the following table provides guidance and information on some of the additional physical tests that may be considered.

Physical tests	Flexible insulating	Loose fill	Nano- material	Cellular	Adhesive
Particle size		x			
Closed cells content				ISO 4590	
Absorption/Desorption	ISO 12571	x	x	ISO 2896	
Viscosity				ISO 2555 ISO 2431	
Open time					ISO 10364
Thixotropic properties					x
Hardness					ISO 868

4.2.5.2 Requirements for loose fill material segregation should be chosen considering its potential adverse effect on the material properties (density, thermal conductivity) when subjected to environmental variations such as thermal cycling and vibration.

4.2.5.3 Requirements for a material with closed cell structures should be based on its eventual impact on gas flow and buffering capacity during transient thermal phases.

4.2.5.4 Similarly, adsorption and absorption requirements should take into account the potential adverse effect an uncontrolled buffering of liquid or gas may have on the system.

5. Quality assurance and quality control (QA/QC)

5.1 General

5.1.1 Once a material has been selected, after testing as outlined in section 4 of this appendix, a detailed quality assurance/quality control (QA/QC) programme should be applied to ensure the continued conformity of the material during installation and service. This programme should consider the material starting from the manufacturer's quality manual (QM) and then follow it throughout the construction of the cargo system.

5.1.2 The QA/QC programme should include the procedure for fabrication, storage, handling and preventive actions to guard against exposure of a material to harmful effects. These may include, for example, the effect of sunlight on some insulation materials or the contamination of material surfaces by contact with personal products such as hand creams. The sampling methods and the frequency of testing in the QA/QC programme should be specified to ensure the continued conformity of the material selected throughout its production and installation.

5.1.3 Where powder or granulated insulation is produced, arrangements should be made to prevent compacting of the material due to vibrations.

5.2 QA/QC during component manufacture

The QA/QC programme in respect of component manufacture should include, as a minimum but not limited to, the following items.

5.2.1 Component identification

5.2.1.1 For each material, the manufacturer should implement a marking system to clearly identify the production batch. The marking system should not interfere, in any way, with the properties of the product.

5.2.1.2 The marking system should ensure complete traceability of the component and should include:

- .1 date of production and potential expiry date;
- .2 manufacturer's references;
- .3 reference specification;
- .4 reference order; and
- .5 when necessary, any potential environmental parameters to be maintained during transportation and storage.

5.2.2 Production sampling and audit method

5.2.2.1 Regular sampling is required during production to ensure the quality level and continued conformity of a selected material.

5.2.2.2 The frequency, the method and the tests to be performed should be defined in QA/QC programme; for example, these tests will usually cover, inter alia, raw materials, process parameters and component checks.

5.2.2.3 Process parameters and results of the production QC tests should be in strict accordance with those detailed in the QM for the material selected.

5.2.2.4 The objective of the audit method as described in the QM is to control the repeatability of the process and the efficacy of the QA/QC programme.

5.2.2.5 During auditing, auditors should be provided with free access to all production and QC areas. Audit results should be in accordance with the values and tolerances as stated in the relevant QM.

6. Bonding and joining process requirement and testing

6.1 Bonding procedure qualification

6.1.1 The bonding procedure specification and qualification test should be defined in accordance with recognized standards.

6.1.2 The bonding procedures should be fully documented before work commences to ensure the properties of the bond are acceptable.

6.1.3 The following parameters should be considered when developing a bonding procedure specification:

- .1 surface preparation;
- .2 materials storage and handling prior to installation;
- .3 covering-time;
- .4 open-time;
- .5 mixing ratio, deposited quantity;
- .6 environmental parameters (temperature, humidity); and
- .7 curing pressure, temperature and time.

6.1.4 Additional requirements may be included as necessary to ensure acceptable results.

6.1.5 The bonding procedures specification should be validated by an appropriate procedure qualification testing programme.

6.2 Personnel qualifications

6.2.1 Personnel involved in bonding processes should be trained and qualified to recognized standards.

6.2.2 Regular tests should be made to ensure the continued performance of people carrying out bonding operations to ensure a consistent quality of bonding.

7. Production bonding tests and controls

7.1 Destructive testing

During production, representative samples should be taken and tested to check that they correspond to the required level of strength as required for the design.

7.2 Non-destructive testing

7.2.1 During production, tests which are not detrimental to bond integrity should be performed using an appropriate technique such as:

- .1 visual examination;
- .2 internal defects detection (for example acoustic, ultrasonic or shear test); and
- .3 local tightness testing.

7.2.2 If the bonds have to provide tightness as part of their design function, a global tightness test of the cargo containment system should be completed after the end of the erection in accordance with the designer's and QA/QC programme.

7.2.3 The QA/QC standards should include acceptance standards for the tightness of the bonded components when built and during the lifecycle of the containment system

APPENDIX 5
STANDARD FOR THE USE OF LIMIT STATE METHODOLOGIES IN THE DESIGN
OF CARGO CONTAINMENT SYSTEMS OF NOVEL CONFIGURATION

1. General

1.1 The purpose of this standard is to provide procedures and relevant design parameters of limit state design of cargo containment systems of a novel configuration in accordance with section 4.27 of this Code.

1.2 Limit state design is a systematic approach where each structural element is evaluated with respect to possible failure modes related to the design conditions identified in section 4.3.4 of this Code. A limit state can be defined as a condition beyond which the structure, or part of a structure, no longer satisfies the requirements.

1.3 The limit states are divided into the three following categories:

- .1** Ultimate Limit States (ULS), which correspond to the maximum loadcarrying capacity or, in some cases, to the maximum applicable strain, deformation or instability in structure resulting from buckling and plastic collapse; under intact (undamaged) conditions;
- .2** Fatigue Limit States (FLS), which correspond to degradation due to the effect of cyclic loading; and
- .3** Accident Limit States (ALS), which concern the ability of the structure to resist accident situations.

1.4 Part A through part D of Section 4 of this Code shall be complied with as applicable depending on the cargo containment system concept.

2. Design format

2.1 The design format in this standard is based on a Load and Resistance Factor Design format. The fundamental principle of the Load and Resistance Factor Design format is to verify that design load effects, L_d , do not exceed design resistances, R_d , for any of the considered failure modes in any scenario:

$$L_d \leq R_d$$

A design load F_{dk} is obtained by multiplying the characteristic load by a load factor relevant for the given load category:

$$F_{dk} = \gamma_f \cdot F_k$$

where:

γ_f is load factor; and

F_k is the characteristic load as specified in part B and part C of Section 4 of this Code.

A design load effect L_d (e.g. stresses, strains, displacements and vibrations) is the most unfavourable combined load effect derived from the design loads, and may be expressed by:

$$L_d = q (F_{d1}, F_{d2}, \dots, F_{dN})$$

where q denotes the functional relationship between load and load effect determined by structural analyses.

The design resistance R_d is determined as follows:

$$R_d = \frac{R_k}{\gamma_R \cdot \gamma_C}$$

where:

R_k is the characteristic resistance. In case of materials covered by Section 6 of this Code, it may be, but not limited to, specified minimum yield stress, specified minimum tensile strength, plastic resistance of cross sections, and ultimate buckling strength;

γ_R is the resistance factor, defined as $\gamma_R = \gamma_m \cdot \gamma_s$;

γ_m is the partial resistance factor to take account of the probabilistic distribution of the material properties (material factor);

γ_s is the partial resistance factor to take account of the uncertainties on the capacity of the structure, such as the quality of the construction, method considered for determination of the capacity including accuracy of analysis; and

γ_C is the consequence class factor, which accounts for the potential results of failure with regard to release of cargo and possible human injury.

2.2 Cargo containment design shall take into account potential failure consequences. Consequence classes are defined in table 1, to specify the consequences of failure when the mode of failure is related to the Ultimate Limit State, the Fatigue Limit State, or the Accident Limit State.

Table 1: Consequence classes

Consequence class	Definition
Low	Failure implies minor release of the cargo.
Medium	Failure implies release of the cargo and potential for human injury.
High	Failure implies significant release of the cargo and high potential for human injury/fatality.

3 Required analyses

3.1 Three dimensional finite element analyses shall be carried out as an integrated model of the tank and the ship hull, including supports and keying system as applicable. All the failure modes shall be identified to avoid unexpected failures. Hydrodynamic analyses shall be carried out to determine the particular ship accelerations and motions in irregular waves, and the response of the ship and its cargo containment systems to these forces and motions.

3.2 Buckling strength analyses of cargo tanks subject to external pressure and other loads causing compressive stresses shall be carried out in accordance with recognized standards. The method shall adequately account for the difference in theoretical and actual buckling stress as a result of plate out of flatness, plate edge misalignment, straightness, ovality and deviation from true circular form over a specified arc or chord length, as relevant.

3.3 Fatigue and crack propagation analysis shall be carried out in accordance with paragraph 5.1 of this standard.

4 Ultimate Limit States

4.1 Structural resistance may be established by testing or by complete analysis taking account of both elastic and plastic material properties. Safety margins for ultimate strength shall be introduced by partial factors of safety taking account of the contribution of stochastic nature of loads and resistance (dynamic loads, pressure loads, gravity loads, material strength, and buckling capacities).

4.2 Appropriate combinations of permanent loads, functional loads and environmental loads including sloshing loads shall be considered in the analysis. At least two load combinations with partial load factors as given in table 2 shall be used for the assessment of the ultimate limit states.

Table 2: Partial load factors

Load combination	Permanent loads	Functional loads	Environmental loads
'a'	1.1	1.1	0.7
'b'	1.0	1.0	1.3

The load factors for permanent and functional loads in load combination 'a' are relevant for the normally well-controlled and/or specified loads applicable to cargo containment systems such as vapour pressure, cargo weight, system self-weight, etc. Higher load factors may be relevant for permanent and functional loads where the inherent variability and/or uncertainties in the prediction models are higher.

4.3 For sloshing loads, depending on the reliability of the estimation method, a larger load factor may be required by the Administration or recognized organization acting on its behalf.

4.4 In cases where structural failure of the cargo containment system are considered to imply high potential for human injury and significant release of cargo, the consequence class factor shall be taken as $\gamma_C = 1.2$. This value may be reduced if it is justified through risk analysis and subject to the approval by the Administration or recognized organization acting on its behalf. The risk analysis shall take account of factors including, but not limited to, provision of full or partial secondary barrier to protect hull structure from the leakage and less hazards associated with intended cargo. Conversely, higher values may be fixed by the Administration or recognized organization acting on its behalf, for example, for ships carrying more hazardous or higher pressure cargo. The consequence class factor shall in any case not be less than 1.0.

4.5 The load factors and the resistance factors used shall be such that the level of safety is equivalent to that of the cargo containment systems as described in sections 4.21 to 4.26 of this Code. This may be carried out by calibrating the factors against known successful designs.

4.6 The material factor γ_m shall in general reflect the statistical distribution of the mechanical properties of the material, and needs to be interpreted in combination with the specified characteristic mechanical properties. For the materials defined in Section 6 of this Code, the material factor γ_m may be taken as:

- 1.1** when the characteristic mechanical properties specified by the recognized organization typically represents the lower 2.5% quantile in the statistical distribution of the mechanical properties; or
- 1.0** when the characteristic mechanical properties specified by the recognized organization represents a sufficiently small quantile such that the probability of lower mechanical properties than specified is extremely low and can be neglected.

4.7 The partial resistance factors γ_{si} shall in general be established based on the uncertainties in the capacity of the structure considering construction tolerances, quality of construction, the accuracy of the analysis method applied, etc.

4.7.1 For design against excessive plastic deformation using the limit state criteria given in paragraph 4.8 of this standard, the partial resistance factors γ_{si} shall be taken as follows:

$$\gamma_{s1} = 0.76 \cdot \frac{B}{\kappa_1}$$

$$\gamma_{s2} = 0.76 \cdot \frac{D}{\kappa_2}$$

$$\kappa_1 = \text{Min} \left(\frac{R_m}{R_e} \cdot \frac{B}{A}; 1.0 \right)$$

$$\kappa_2 = \text{Min} \left(\frac{R_m}{R_e} \cdot \frac{D}{C}; 1.0 \right)$$

Factors A, B, C and D are defined in section 4.22.3.1 of this Code. R_m and R_e are defined in section 4.18.1.3 of this Code.

The partial resistance factors given above are the results of calibration to conventional type B independent tanks.

4.8 Design against excessive plastic deformation

4.8.1 Stress acceptance criteria given below refer to elastic stress analyses.

4.8.2 Parts of cargo containment systems where loads are primarily carried by membrane response in the structure shall satisfy the following limit state criteria:

$$\sigma_m \leq f$$

$$\sigma_L \leq 1.5f$$

$$\sigma_b \leq 1.5F$$

$$\sigma_L + \sigma_b \leq 1.5F$$

$$\sigma_m + \sigma_b \leq 1.5F$$

$$\sigma_m + \sigma_b + \sigma_g \leq 3.0F$$

$$\sigma_L + \sigma_b + \sigma_g \leq 3.0F$$

where:

σ_m = equivalent primary general membrane stress

σ_L = equivalent primary local membrane stress

σ_b = equivalent primary bending stress

σ_g = equivalent secondary stress

$$f = \frac{R_e}{\gamma_{s1} \cdot \gamma_m \cdot \gamma_C}$$

$$F = \frac{R_e}{\gamma_{s2} \cdot \gamma_m \cdot \gamma_C}$$

With regard to the stresses σ_m , σ_L , σ_b and σ_g , see also the definition of stress categories in section 4.28.3 of this Code.

Guidance Note:

The stress summation described above shall be carried out by summing up each stress component (σ_x , σ_y , τ_{xy}), and subsequently the equivalent stress shall be calculated based on the resulting stress components as shown in the example below.

$$\sigma_L + \sigma_b = \sqrt{(\sigma_{Lx} + \sigma_{bx})^2 - (\sigma_{Lx} + \sigma_{bx})(\sigma_{Ly} + \sigma_{by}) + (\sigma_{Ly} + \sigma_{by})^2 + 3(\tau_{Lxy} + \tau_{bxy})^2}$$

4.8.3 Parts of cargo containment systems where loads are primarily carried by bending of girders, stiffeners and plates, shall satisfy the following limit state criteria:

$$\sigma_m + \sigma_{bpb} \leq 1.25F \text{ (See notes 1,2)}$$

$$\sigma_{ms} + \sigma_{bpb} + \sigma_{bs} \leq 1.25F \text{ (See notes 2)}$$

$$\sigma_{ms} + \sigma_{bpb} + \sigma_{bs} + \sigma_{bt} + \sigma_g \leq 3.0F$$

Note 1: The sum of equivalent section membrane stress and equivalent membrane stress in primary structure ($\sigma_{ms} + \sigma_{bp}$) will normally be directly available from three-dimensional finite element analyses.

Note 2: The coefficient, 1.25, may be modified by the Administration or recognized organization acting on its behalf considering the design concept, configuration of the structure, and the methodology used for calculation of stresses.

where:

σ_{ms} = equivalent section membrane stress in primary structure

σ_{bp} = equivalent membrane stress in primary structure and stress in secondary and tertiary structure caused by bending of primary structure

σ_{bs} = section bending stress in secondary structure and stress in tertiary structure caused by bending of secondary structure

σ_{bt} = section bending stress in tertiary structure

σ_g = equivalent secondary stress

$$f = \frac{R_e}{\gamma_{s1} \cdot \gamma_m \cdot \gamma_C}$$

$$F = \frac{R_e}{\gamma_{s2} \cdot \gamma_m \cdot \gamma_C}$$

With regard to the stresses σ_{ms} , σ_{bp} , σ_{bs} and σ_{bt} , are defined in 4.8.4. For definition of σ_g , see section 4.28.3 of this Code.

Guidance Note:

The stress summation described above shall be carried out by summing up each stress component (σ_x , σ_y , τ_{xy}), and subsequently the equivalent stress shall be calculated based on the resulting stress components as shown in the example below.

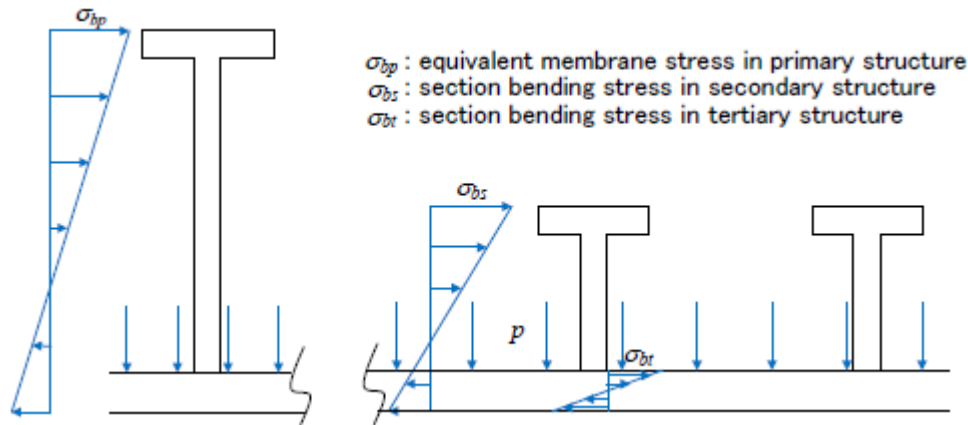
Skin plates shall be designed in accordance with the requirements of the Administration or recognized organization acting on its behalf. When membrane stress is significant, the effect of the membrane stress on the plate bending capacity shall be appropriately considered in addition.

4.8.4 Section stress categories

Normal stress is the component of stress normal to the plane of reference.

Equivalent section membrane stress is the component of the normal stress that is uniformly distributed and equal to the average value of the stress across the cross section of the structure under consideration. If this is a simple shell section, the section membrane stress is identical to the membrane stress defined in paragraph 4.8.2 of this standard.

Section bending stress is the component of the normal stress that is linearly distributed over a structural section exposed to bending action, as illustrated in figure 1.



**Figure 1: Definition of the three categories of section stress
(Stresses σ_{bp} and σ_{bs} are normal to the cross section shown.)**

4.9 The same factors γ_C , γ_m , γ_{si} shall be used for design against buckling unless otherwise stated in the applied recognized buckling standard. In any case the overall level of safety shall not be less than given by these factors.

5 Fatigue Limit States

5.1 Fatigue design condition as described in section 4.18.2 of this Code shall be complied with as applicable depending on the cargo containment system concept. Fatigue analysis is required for the cargo containment system designed under section 4.27 of this Code and this standard.

5.2 The load factors for FLS shall be taken as 1.0 for all load categories.

5.3 Consequence class factor γ_C and resistance factor γ_R shall be taken as 1.0.

5.4 Fatigue damage shall be calculated as described in sections 4.18.2.2 to 4.18.2.5 of this Code. The calculated cumulative fatigue damage ratio for the cargo containment systems shall be less than or equal to the values given in table 3.

Table 3: Maximum allowable cumulative fatigue damage ratio

	Consequence class		
	Low	Medium	High
C_w	1.0	0.5	0.5*

Note:* Lower value shall be used in accordance with sections 4.18.2.7 to 4.18.2.9 of this Code, depending on the detectability of defect or crack, etc.

5.5 Lower values may be fixed by the Administration or recognized organization acting on its behalf, for example for tank structures where effective detection of defect or crack cannot be assured, and for ships carrying more hazardous cargo.

5.6 Crack propagation analyses are required in accordance with sections 4.18.2.6 to 4.18.2.9 of this Code. The analysis shall be carried out in accordance with methods laid down in a standard recognized by the Administration or recognized organization acting on its behalf.

6. Accident Limit States

6.1 Accident design condition as described in section 4.18.3 of this Code shall be complied with as applicable, depending on the cargo containment system concept.

6.2 Load and resistance factors may be relaxed compared to the ultimate limit state considering that damages and deformations can be accepted as long as this does not escalate the accident scenario.

6.3 The load factors for ALS shall be taken as 1.0 for permanent loads, functional loads and environmental loads.

6.4 Loads mentioned in section 4.13.9 (Static heel loads) and section 4.15 (Collision and Loads due to flooding on ship) of this Code need not be combined with each other or with environmental loads, as defined in section 4.14 of this Code.

6.5 Resistance factor γ_R shall in general be taken as 1.0.

6.6 Consequence class factors γ_C shall in general be taken as defined in paragraph 4.4 of this standard, but may be relaxed considering the nature of the accident scenario.

6.7 The characteristic resistance R_k shall in general be taken as for the ultimate limit state, but may be relaxed considering the nature of the accident scenario.

6.8 Additional relevant accident scenarios shall be determined based on a risk analysis.

7. Testing

7.1 Cargo containment systems designed according to this standard shall be tested to the same extent as described in section 4.20.3 of this Code, as applicable depending on the cargo containment system concept.

APPENDIX 6**GUIDELINES FOR THE EVALUATION OF THE ADEQUACY OF TYPE-C TANK VENT SYSTEMS**

These guidelines shall be in accordance with the IMO-Assembly Resolution A. 829 (19)

1.	GENERAL	A-2
2.	PROCEDURES	A-2
3.	EQUATIONS	A-4
4.	REFERENCES	A-8
5.	WORKED EXAMPLE OF PROCEDURES	A-9

1. General

1.1 The tank outlet to the pressure relief valves (PRVs) should remain in the vapour phase at the 98 % liquid level and Code specified list and trim.

1.2 PRVs, which have been sized using the GCCodes, have adequate capacity.

1.3 To assure adequate relieving capacity condition 1.3.1 is required and to assure adequate blowdown condition 1.3.2 is required.

1.3.1 The pressure drop in the vent pipe from the cargo tank to the PRV inlet (Δp_{inlet}) should not exceed 3 % of MARVS, at the Code PRV capacity from equation (1) at $1.2 \cdot \text{MARVS}$ on all vapour flow.

1.3.2 The blowdown (Δp_{close}) should not be less than Δp_{inlet} plus $0.02 \cdot \text{MARVS}$ at the installed rated vapour capacity where required to assure stable operation of the PRV. This calculation should be performed at MARVS on all vapour flow. Pilot-operated valves can tolerate higher inlet-pipe pressure losses when the pilot senses at a point that is not affected by the inlet-pipe pressure drop.

1.4 The built-up back pressure in the vent piping from the PRV outlet to the location of discharge to the atmosphere, and including any vent pipe interconnections which join other tanks, should not exceed the following values:

.1 For unbalanced PRVs: 10 % MARVS

Special consideration may be given in cases where the back pressure exceeds 10 % of MARVS at a tank pressure of $1.2 \cdot \text{MARVS}$; and

.2 For balanced PRVs and pilot operated PRVs as advised by manufacturer; normally 30 % of MARVS for balanced PRVs and 50 % of MARVS for pilot operated PRVs,

when assuming isenthalpic expansion of saturated liquid, at $1.2 \cdot \text{MARVS}$, through the PRV with the vent piping under fire exposure. A heat flux of 108 kW/m^2 is assumed for uninsulated vent piping.

1.5 The built-up back pressure in the vent piping may be estimated by the procedures outlined in Section 2.

1.6 A more accurate procedure for evaluating tank vent systems on flashing two-phase flow should be consulted if these simplified procedures do not demonstrate compliance with the requirements stated in 1.3 and 1.4 above.

1.7 MARVS means the maximum allowable relief valve setting of a cargo tank (gauge pressure).

2. Procedures

The following procedures will demonstrate the adequacy of a tank vent system to limit the pressure rise in a cargo tank to not greater than $1.2 \cdot \text{MARVS}$ during all conditions, including fire conditions implicit in 8.4.1.2 of the IGC Code.

2.1 Prepare a simplified flow sheet of the cargo tank vent system, identifying the fittings and the actual diameters and lengths of pipe. (See "5. Worked Example of the Procedures").

Divide the system into sections between nodes at changes in pipe diameter and at inter-connections with flows from other relief valves.

List the fittings and their dynamic loss coefficients. Calculate the external surface area of the piping sections between the nodes.

2.2 Calculate the Code PRV capacity (Q_{GCC}) of each tank PRV, in m^3/s of air at standard conditions in accordance with 8.4.1.2. of the IGC Code and note the installed rated capacity (Q_{IR}) of each PRV in m^3/s air at standard conditions at $1.2 \cdot \text{MARVS}$. The calculation should be done for the highest gas factor of the products included in the cargo list. N-butane has often the highest value for gas factor "G" in the Code and usually determines the Code minimum capacity.

Determine the mass flows for cargo conditions at $1.2 \cdot \text{MARVS}$ through each PRV for the Code PRV capacity and for the installed rated capacity for both all vapour flow and for two-phase cargo flow. Also calculate the mass flow at MARVS for the installed rated capacity on all vapour flow.

Equation (1) may be used for all vapour mass flow and equations (2), (3) and (4) may be used for two-phase mass flow. Equation (2) may be applied to multi component mixtures whose boiling point range does not exceed 100 K.

2.3 Estimate the all vapour flow pressure drop in the pipe from the cargo tank connection to the PRV inlet flange, working from the known tank pressure towards the PRV. This pressure drop is calculated by using the difference in stagnation pressures. Therefore, the second term of equation (5) may be used for pipe sections of constant diameter. For contractions Equation (5.1) may be used.

2.4 Check that the pressure drop at each PRV inlet complies with 1.3.1 at the Code PRV capacity for all vapour flow to assure adequate relief capacity. For the calculation the vapour mass flow of product (W_g) from equation (1) should be used.

For control purposes, 1.3.1 should be repeated using the Code PRV two-phase flow (W' , equation (4)) at $1.2 \cdot \text{MARVS}$ and 1.3.2 by using the installed rated two-phase flow at MARVS. Both calculations should give a smaller inlet pressure loss than the corresponding all vapour pressure loss.

Check that the blowdown Δp_{close} complies with 1.3.2 to assure stable operation.

2.5 Estimate the two-phase flow pressure in the discharge pipe at the location of discharge to the atmosphere. Equation (6) may be used, with the Code PRV two-phase mass flow (W' , equation (4)) to assure adequate relief capacity, to check if the exit pressure is greater than 1 bar a.

2.6 Estimate the vapour fraction and two-phase density in the vent pipe at the exit to the atmosphere, assuming transfer of the fire heat flux of 108 kW/m^2 through the uninsulated vent piping. Equations (7) and (8) may be used.

2.7 Estimate the built-up back pressure at the PRV outlet flange, commencing from the known vent pipe exit pressure, calculating the pressure drop between pipe nodes and working, section by section, back up the pipe to the PRV.

Equations (7), (8), (9) and (5), may be used with iteration until the upstream node absolute pressure, vapour fraction and specific volume are justified and assuming that vapour is saturated.

At pipe diameter expansion fittings where fluid velocity is reduced, a pressure recovery generally occurs. This recovery is overestimated in case of two phase flow when dynamic loss coefficients for single phase flow are used. For the purpose of these guidelines, the static exit pressure of a conical expansion fitting is assumed to be equal to the static inlet pressure.

2.8 Estimate the choking pressure (p_{ec}) at the exit of every section with the mass-flux (G_p) in that section for the pipeline between the PRV and the vent exit. Equation (6) may be used.

Compare the pressure distribution along the vent line as derived from item 2.5 – 2.7, with the different choking pressures for each section as derived from equation (6).

If choking pressure at any location exceeds the corresponding calculated pressure derived from 2.5 – 2.7, the calculation as described in 2.5 – 2.7 should be repeated commencing from choking point location and corresponding choking pressure, working back up the pipe to the PRV.

If choking pressure at more than one location exceeds the corresponding calculated pressure derived from 2.5 to 2.7, the commencing point of the recalculation should be taken as the choking location point giving the highest built-up back pressure.

2.9 Check that the built-up back pressure at each PRV outlet complies with 1.4, at the Code PRV capacity for two-phase mass flow (W' , equation (4)), to assure stable operation of the valves, thus assuring adequate relief capacity.

2.10 For conventional unbalanced valves only:

.1 If back pressure as derived from 2.5 – 2.8 is within the range of 10 % to 20 % of MARVS, an additional evaluation should be performed in order to decide whether the system is acceptable.

.2 The system has to perform with the following requirement: With one valve closed and all others discharging at the installed rated PRV capacity, the back pressure should be less than 10 % of MARVS.

3. Equations

The following equations may be used to demonstrate the adequacy of the vent system.

Equation (1) for all vapour mass flow rate from tank through PRVs:

$$W_g = \frac{71 \cdot 10^3 \cdot F \cdot A^{0.82}}{h_{fg}} \quad [\text{kg/s}] \quad (1)$$

where

F = Fire exposure factor according to Section 8.4 of the IGC Code

A = External surface area of Type C tank [m²]

h_{fg} = Latent heat of vaporization of cargo at 1.2 · MARVS [J/kg]

Equation (2) for isenthalpic flashing mass flux of liquid through PRV orifice:

$$G_v \approx h_{fg} \cdot \rho_g \left[\frac{1}{T_o \cdot c} \right]^{1/2} \quad \left[\text{kg}/(\text{m}^2 \cdot \text{s}) \right] \quad (2)$$

where:

h_{fg} = See equation (1)

ρ_g = Vapour density at $1.2 \cdot \text{MARVS}$ and corresponding boiling temperature [kg/m^3]

T_o = Temperature of cargo at $1.2 \cdot \text{MARVS}$ [K]¹

c = Liquid specific heat at $1.2 \cdot \text{MARVS}$ and T_o [$\text{J}/(\text{kg K})$]

Note:

This expression is valid for multi component mixtures whose boiling point range does not exceed 100 K.

Equation (3) for two-phase mass flow rate through PRV as installed:

$$W = G_v \cdot K_w \cdot A_v \quad [\text{kg/s}] \quad (3)$$

where:

G_v = Is taken from Equation (2) [$\text{kg}/(\text{m}^2 \cdot \text{s})$]

K_w = PRV discharge coefficient on water ($\approx 0.8 \cdot$ measured K_d on air)

A_v = Actual orifice area of PRV [m^2]

Equation (4) for Code PRV capacity for two-phase mass flow:

$$W' = G_v \cdot K_w \cdot A_v \frac{Q_{GCC}}{Q_{IR}} \quad [\text{kg/s}] \quad (4)$$

where:

Q_{GCC} = Code PRV capacity of air at standard conditions in accordance with IGC Code 8.4.1.2 [m^3/s]

Q_{IR} = Installed rated PRV capacity of air at $T = 273 \text{ K}$ and $p = 1.013 \text{ bar}$ [m^3/s]

Equation (5) for the calculation of the static pressure difference in a pipe section of constant diameter in which the mass flux (G_p) is constant:

$$\Delta p = G_p^2 (v_e - v_i) + 0.5 G_p^2 \left(\frac{v_e + v_i}{2} \right) \left(4f \frac{L}{D} + \sum N \right) \quad [\text{Pa}] \quad (5)$$

($10^5 \text{ Pa} = 1 \text{ bar} = 14.5 \text{ psi}$)

1) $^{\circ}\text{C} + 273.15 = \text{K}$

where;

$$G_p = \frac{W}{\pi \cdot D^2/4} \text{ or } \frac{W'}{\pi \cdot D^2/4} \quad \left[\text{kg}/(\text{m}^2 \cdot \text{s}) \right]$$

Mass flux through the pipe section

v_e = Two-phase specific volume at pipe section exit [m^3/kg]

v_i = Two-phase specific volume at pipe section inlet [m^3/kg]

f = Fanning friction factor $f = 0.005$ for twophase fully turbulent flow

L = Length of pipe section [m]

D = Diameter of pipe section [m]

$\sum N$ = Sum of dynamic loss coefficients for fittings in the pipe section $N = 4 f L/D$ equivalent.

(Typical values of N are given in Table A.2)

Equation (5.1) for contractions, the difference in stagnation pressure is defined by:

$$\Delta p = \frac{1}{2} G_{p,e}^2 \cdot v_i \cdot N \quad [\text{Pa}] \quad (5.1)$$

where:

N = Dynamic loss coefficients of the contraction

$G_{p,e}$ = Mass flux at the exit of the contraction [$\text{kg}/(\text{m}^2\text{s})$]

v_i = Specific volume at the inlet of the contraction [m^3/kg]

Equation (6) for two-phase critical choking pressure at vent mast exit or at exit from any vent pipe section:

$$P_{ec} = G_p \left[\frac{P_o \cdot \omega}{P_o} \right]^{0.5} \quad [\text{Pa}] \quad (6)$$

where

G_p = As defined in equation (5)

p_o = Cargo vapour pressure in tank at inlet to PRV [Pa]

ρ_o = Cargo liquid density in tank at inlet to PRV at p_o and T_o [kg/m^3]

ω = Compressible flow parameter in tank at inlet to PRV

$$= \alpha_o + (1 - \alpha_o) \frac{\rho_o c \cdot T_o \cdot p_o \cdot (v_{go} - v_{fo})^2}{(h_{go} - h_{fo})^2}$$

where:

α_o = Inlet void fraction or vapour volume fraction at inlet to PRV
 = 0, when assuming isenthalpic expansion of saturated liquid, at $1.2 \cdot \text{MARVS}$, through the PRV

c See equation (2)

T_o See equation (2)

$(v_{go} - v_{fo})$ = Difference in gaseous and liquid specific volume at temperature T_o at inlet to PRV (m^3/kg)

$(h_{go} - h_{fo})$ = Difference in gaseous and liquid enthalpy at temperature T_o at inlet to PRV (J/kg)

Equation (7) for exit quality, or vapour mass fraction at pipe section exit:

$$x_e = \frac{h_{fo} - h_{fe} + 1000 \cdot q \cdot \sum a/W}{h_{fg}} \quad (7)$$

(e.g. $x_e = 0.3 \equiv 30\%$ quality $\equiv 30\%$ vapour + 70% liquid by mass)

where:

h_{fo} = Liquid enthalpy in tank at inlet to PRV [J/kg]

h_{fe} = Liquid enthalpy at back pressure at pipe section exit [J/kg]

h_{fg} = Latent heat of vaporization at back pressure at pipe section exit [J/kg]

q = Heat flux from fire exposure into vent pipe equal to $108 \text{ [kW/m}^2\text{]}$

a = Heated external surface area of vent pipe sections [m^2]

W = Mass flow rate in vent pipe section [kg/s]

Equation (8), (9) for two-phase density (ρ) and specific volume (v):

$$\rho = \frac{\rho_g}{x} \quad \left[\text{kg}/\text{m}^3 \right] \quad (8)$$

where:

ρ_g = Saturated vapour density at pipe section inlet or exit

x = Vapour fraction at pipe section inlet or exit

$$v = \frac{1}{\rho} \left[\text{m}^3/\text{kg} \right] \quad (9)$$

4. References

1. General

1.1 IGC-, GC-Codes 8.2.17 draft text of amendments BCH 22/14 Annex 8

Code for Existing Ships 8.2.15 draft text of amendments BCH 22/14 Annex 8

1.2 BCH 20/7 Annex 4, validated by BCH 21/INF.3 Annex 2

1.3 IGC Code 8.2.16 draft amendment BCH 22/14

Annex 9; API RP 520 Part II, Third Edition,
November 1988, 2.2.2 on page 2

1.4 IGC Code 8.2.16 draft amendment BCH 22/14 Annex 9; API RP 521, Third Edition, November 1990, 5.4.1.3.1 on page 45 and API RP 520, Part I, Fifth Edition, July 1990, 2.2.4.1 on page 7 and 4.3.2.1 Figure 27 on page 30.

1.5 BCH 20/7 Annex 5 and as referenced in 3. Equations.

2.4 Frank J. Heller:

Safety relief valve sizing: API versus CGA requirements plus a new concept for tank cars:

API-Proceedings 1983, Refining Department, Vol. 62, API, W.D.C, pp. 123-135

3. Equations

(1) "Some Notes on the Practical Application of the IMCO Gas Carrier Code to Pressure Vessel Type Cargo Tanks", M. Böckenhauer, GASTECH 1981, Hamburg 1981.

(2) "Flashing Flows or: Some Practical Guidelines for Emergency Releases" Fauske and Associates, Plant/Operations Progress, July 1985, Private communication SIGTTO/Fauske and Associates, June 1st 1994.

(5) Private communication SIGTTO/Fauske and Associates, January 21, 1993. "The Discharge of Two-Phase Flashing Flow in a Horizontal Duct", Fauske and Associates, AIChE Journal, March 1987 on pages 524(equation) and 526(Fanning friction factor in two-phase flows).

(6) "Size Safety Relief Valves for Flashing Liquids"; J.C. Leung (Fauske and Associates), Chemical Engineering Progress, Feb.(1992), pp. 70-75.

(7) BCH 20/7 Annex 5

(8) BCH 20/7 Annex 5

(9) BCH 20/7 Annex 5

5. Worked example of the procedures

Procedures

Reference No.

By 2.1 Figure A.1 is a simplified flow sheet of a cargo tank vent system with one vent stack connected to two tanks. The system has been divided into sections between nodes, marked by capital letters A to N, at changes in pipe diameter and at interconnections with flows from other relief valves at F and J.

By 2.2 The IGC Code minimum tank relief capacity, Q_{GCC} , is calculated for the Case Study ship tank analysed in BCH 20/7, annexes 2 to 5 which has an external surface area of 747 m² and a MARVS of 11.0 bar g.

By IGC Code 8.4.1.2 for propane:

for

$$1.2 \cdot \text{MARVS} = 11.0 \cdot 1.2 + 1.0 = 14.2 \text{ bar a}$$

$$L^{(2)} = 308.6 \text{ kJ/kg}$$

$$T = 273 + 41 = 314 \text{ K}$$

$$D = 0.635, \text{ for } k = 1.13$$

$$Z = 1.0$$

$$M = 44$$

$$A^{0.82} = 227.05$$

$$F = 0.2$$

$$Q_{GCC} = 0.2 \cdot \frac{12.4}{308.6 \cdot 0.635} \cdot \sqrt{\left(\frac{1.0 \cdot 314}{44}\right)} \cdot 227.05 = 7.68 \text{ m}^3/\text{s} \quad \text{of air at STP}$$

The Q_{GCC} for the actual case study ship tank is 7.71 m³/s of air at standard conditions (STP) of 273 K and 1.013 bar a.

The installed rated capacity for two 75 mm x 100 mm AGCo Type 95 POPRVs

$$Q_{IR} = 20.52 \text{ m}^3/\text{s} \text{ of air at STP}$$

or $20.52/7.71 = 2.66$ times the Q_{GCC} .

2) List the latent heat "r" according to Section 8, 5.2.

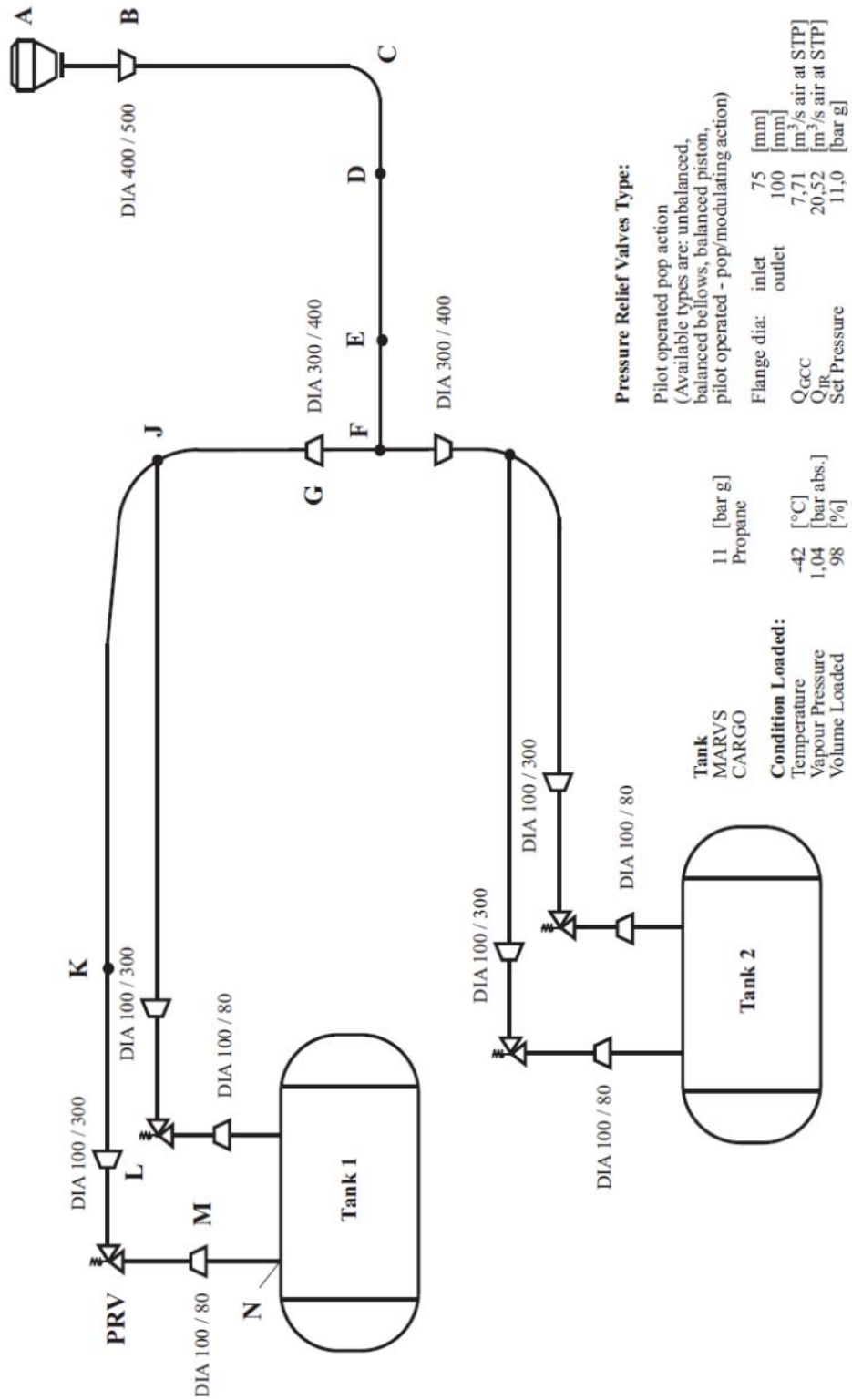


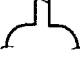


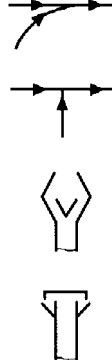
Figure A.1 Simplified Flow Sheet of a Cargo Tank Vent System with one Vent Stack connected to two Tanks

Table A.1: List of Vent Pipe Lengths and Surface Areas, Fittings and Dynamic Loss Coefficients

Pipe section	Length [mm]	Pipe diameter [mm]	Surface area [m ²]	Fitting	Specification	Dynamic Loss Coeff. N	Pipe 4f L/D	4f L/D + $\sum N$
A	1080	500/700	2.04	A = Cowl / Vent Exit	---	2.25	---	2.25
A-B	1565	500	2.46				0.063	0.063
Section total			4.50					2.313
B-C	2650	400	3.331	B = Conical Expansion	d/D = 0.8	*)	0.132	0.132
C-D	2546	400	3.20	C = Long Radius Bend	90°	0.3	0.127	0.427
D-E	14880	400	18.701	D = Bend	45°	0.2	0.744	0.944
E-F	2093	400	2.63	E = Bend	45°	0.2	0.105	0.305
Section total			27.86					2.008
F-G	642	400	0.81	F = Hard Tee	---	1.1	0.032	1.132
G-J	1066	300	1.00	G = Conical Expansion	d/D = 0.75	*)	0.071	0.071
Section total			1.81					
J-K	1340	300	1.263	J = Soft Tee	---	0.3	0.089	0.389
K-L	481	300	0.453	K = Bend	45°	0.2	0.032	0.232
Section total			1.72					0.621
L-PRV	216	300/100	---	L = Conical Expansion	d/D = 0.33	*)	0.043	0.043
PRV-M	108	80	---				0.027	0.027
M	108	80	---	M = Conical Reduction	d/D = 0.8	0.1	---	0.1
M-N	142	100	---	N = Square Edged Inlet	---	0.5	0.028	0.528

*) Ignored under Procedure 2.7

Table A.2 : Typical values for Dynamic Loss Coefficient (N) for vent system fittings.
 "N" may vary with pipe diameter.

Fiting		Equivalent $4f L/D = N$
Inlet pipe form tank to PRV :		
Square-edged inlet		0.5
Protruding conical inlet		0.15
Conical reduction		0.1
Discharge piping from PRV to mast vent exit:		
45° bend		0.2
45° single-mitre elbow		0.45
90° long radius bend		0.3
90° short radius bend		0.5
90° double-mitre elbow		0.6
Soft-Tee		0.3
Hard-Tee		1.1
Cowl mast vent exit		2.25
Top-Hat mast vent exit		[4.5]
Flame screen for IGC Code 17.9		1.4
<p><i>Reference:</i></p> <p>“Sizing Safety Valve Inlet Lines” <i>Chemical Engineering Progress</i>, November 1980.</p> <p>“Engineering Data Book, Figure 17-4” <i>Gas Processors Association</i>, 10th Edition, 1987,</p> <p>“Guide for Pressure – Relieving and Depressuring Systems” Table 5, <i>API RP 521</i></p>		

By equation (1) for all vapour mass flow rate from tank for propane:

where h_{fg} at 1.2 · MARVS = 308600 J/kg

$$W_g = \frac{71000 \cdot 0.2 \cdot 227.05}{308600} = 10.44 \text{ kg/s}$$

or Code PRV all vapour mass flow rate per PRV = 5.22 kg/s

and Installed Rated all vapour mass flow rate PRV = 5.22 · 2.66 = 13.89 kg/s

where h_{fg} at MARVS = 322800 J/kg

$$W_g = \frac{71000 \cdot 0.2 \cdot 227.05}{322800} = 9.99 \text{ kg/s}$$

or Installed Rated all vapour mass flow rate per PRV = 4.99 · 2.66 = 13.27 kg/s

By equation (2) for two-phase mass flux through PRV orifice for propane.

At 1.2 · MARVS where C = 2931 J/kg

$$G_v = 308600 \cdot 30.3 \cdot \left[\frac{1}{314 \cdot 2931} \right]^{\frac{1}{2}} = 9727 \text{ kg}/(m^2 \cdot s)$$

At MARVS where C = 2750 J/kg

$$G_v = 322800 \cdot 25.5 \cdot \left[\frac{1}{307 \cdot 2750} \right]^{\frac{1}{2}} = 8959 \text{ kg}/(m^2 \cdot s)$$

By equation (3) for two-phase mass flow rate through installed rated PRV orifice area:

$A_v = 0.004032 \text{ m}^2$; $K_w = 0.72$

At 1.2 · MARVS:

$$W = 9727 \cdot 0.72 \cdot 0.004032 = 28.35 \text{ kg/s}$$

At MARVS:

$$W = 8959 \cdot 0.72 \cdot 0.004032 = 26.01 \text{ kg/s}$$

By equation (4) for two-phase mass flow rate through Code PRV:

At 1.2 · MARVS:

$$W' = 28.25 \cdot \frac{7.71}{20.52} = 10.6 \text{ kg/s}$$

By 2.3 The all vapour capacity and two-phase pressure drops in the pipe from the cargo tank to the PRV inlet are calculated as the difference in stagnation pressures by using the second term of equation (5) for pipe sections of constant diameter and by using equation (5.1) for conical reduction fittings (contractions).

For Code PRV all vapour capacity at 1.2 · MARVS Section N to M and from Table A.1:

where

$$G_p = \frac{5.22}{\pi} \cdot \frac{0.1^2}{4} = 665 \text{ kg/(m}^2 \cdot \text{s)}$$

$$v = 0.0330 \text{ m}^3/\text{kg}$$

with incompressible flow assumed.

$$\Delta P = 0.5 \cdot 665^2 \cdot 0.0330 \cdot 0.528 = 3900 \text{ Pa (0.039bar)}$$

Conical reduction fitting M:

where

$$G_p = \frac{5.22}{\pi} \cdot \frac{0.08^2}{4} = 1038 \text{ kg/(m}^2 \cdot \text{s)}; N = 0.1$$

$$\Delta P = 0.5 \cdot 1038^2 \cdot 0.0330 \cdot 0.1 = 1800 \text{ Pa (0.018 bar)}$$

Section M to PRV and from Table A.1:

where

$$G_p = 1038 \text{ kg/(m}^2 \cdot \text{s)};$$

$$4f \frac{L}{D} + \sum N = 0.027$$

$$\Delta P = 0.5 \cdot 1038^2 \cdot 0.0330 \cdot 0.027 = 500 \text{ Pa (0.005 bar)}$$

Section N to PRV total $\Delta P = 0.039 + 0.018 + 0.005 = 0.06 \text{ bar}$

For installed rated all vapour capacity at MARVS Section N to M:

where

$$G_p = \frac{13.27}{\pi} \cdot \frac{0.1^2}{4} = 1689 \text{ kg/(m}^2 \cdot \text{s)}$$

$$v = 0.0392 \text{ m}^3/\text{kg}$$

with incompressible flow assumed

$$\Delta P = 0.5 \cdot 1689^2 \cdot 0.0392 \cdot 0.528 = 29500 \text{ Pa (0.295 bar)}$$

Conical reduction fitting M:

where

$$G_p = \frac{13.27}{\pi} \cdot \frac{0.08^2}{4} = 2640 \text{ kg/(m}^2 \cdot \text{s)}$$

$$\Delta P = 0.5 \cdot 2640^2 \cdot 0.0392 \cdot 0.1 = 13700 \text{ Pa (0.137 bar)}$$

Section M to PRV:

where

$$G_p = 2640 \text{ kg/(m}^2 \cdot \text{s)}$$

$$\Delta P = 0.5 \cdot 2640^2 \cdot 0.0392 \cdot 0.027 = 3700 \text{ Pa (0.037 bar)}$$

Section N to PRV total $\Delta P = 0.295 + 0.137 + 0.037 = 0.47 \text{ bar}$

For Code PRV two-phase capacity at 1.2 · MARVS Section N to M:

where

$$G_p = \frac{10.6}{\pi} \cdot \frac{0.1^2}{4} = 1349 \text{ kg/(m}^2 \cdot \text{s)}$$

$$v = 0.002145 \text{ m}^3/\text{kg}$$

with saturated liquid flow assumed

$$\Delta P = 0.5 \cdot 1349^2 \cdot 0.002145 \cdot 0.528 = 1000 \text{ Pa (0.01bar)}$$

Conical reduction fitting M:

where

$$G_p = \frac{10.6}{\pi} \cdot \frac{0.08^2}{4} = 2109 \text{ kg/(m}^2 \cdot \text{s)}$$

$$\Delta P = 0.5 \cdot 2109^2 \cdot 0.002145 \cdot 0.1 = 500 \text{ Pa (0.005 bar)}$$

Section M to PRV:

where

$$G_p = 2109 \text{ kg/(m}^2 \cdot \text{s)}$$

$$\Delta P = 0.5 \cdot 2109^2 \cdot 0.002145 \cdot 0.027 = 100 \text{ Pa (0.001 bar)}$$

$$\text{Section N to PRV total } \Delta P = 0.01 + 0.005 + 0.001 = 0.016 \text{ bar}$$

For Installed Rated two-phase capacity at MARVS Section N to M:

where

$$G_p = \frac{26.01}{\pi} \cdot \frac{0.1^2}{4} = 3311 \text{ kg/(m}^2 \cdot \text{s)}$$

$$v = 0.002088 \text{ m}^3/\text{kg}$$

with saturated liquid flow assumed

$$\Delta P = 0.5 \cdot 3311^2 \cdot 0.002088 \cdot 0.528 = 6000 \text{ Pa (0.06 bar)}$$

Conical reduction fitting M:

where

$$G_p = \frac{26.01}{\pi} \cdot \frac{0.08^2}{4} = 5174 \text{ kg/(m}^2 \cdot \text{s)}$$

$$\Delta P = 0.5 \cdot 5174^2 \cdot 0.002088 \cdot 0.1 = 2800 \text{ Pa (0.028 bar)}$$

Section M to PRV:

where

$$G_p = 5174 \text{ kg/(m}^2 \cdot \text{s)}$$

$$\Delta P = 0.5 \cdot 5174^2 \cdot 0.002088 \cdot 0.027 = 800 \text{ Pa (0.008 bar)}$$

$$\text{Section N to PRV total } \Delta P = 0.06 + 0.028 + 0.008 = 0.10 \text{ bar}$$

By 2.4 Check system compliance with requirements of General Section ref. 1.3

1.3.1 At Code PRV all vapour capacity at 1.2 · MARVS

$$\Delta P = \frac{100}{P_{\text{MARVS}}} = 0.06 \cdot \frac{100}{11.0} = 0.55\%$$

Guideline 1.3 = 3% maximum

At Code PRV two-phase capacity at 1.2 · MARVS

$$= 0.016 \cdot \frac{100}{11.0} = 0.15\%$$

1.3.2 At installed rated all vapour capacity at MARVS

$$= 0.47 \cdot \frac{100}{11.0} = 4.27\% \quad 3)$$

At installed rated two-phase capacity at MARVS

$$= 0.10 \cdot \frac{100}{11.0} = 0.91\%$$

$$\begin{aligned} \Delta P_{\text{close}} &> 0.02 \cdot P_{\text{MARVS}} + \Delta P_{\text{inlet}} \\ &> 0.02 \cdot 11.0 + 0.47 > 0.69 \text{ bar} \end{aligned}$$

For stable operation of the PRV, closing pressure should be less than:

$$11.0 - 0.69 \leq 10.31 \text{ bar g for a pop-action POPRV}$$

By 2.5 The two-phase critical exit choking pressure is estimated, using saturated propane properties at 1.2 · MARVS (14.2 bar a)

By equation (6)

where

$$\begin{aligned} w &= 0 + (1 - 0) \frac{466.2 \cdot 2931 \cdot 314 \cdot 1420000 \cdot (0.0330 - 0.0021)^2}{(832800 \cdot 524200)^2} \\ &= 6.09 \end{aligned}$$

and where W' for Code discharge from four PRVs

- 3)** *Acceptable because pilot senses at a point that is not affected by the inlet pipe pressure drop. If a protruding conical inlet (N = 0.15) had been added to the square-edged inlet (N = 0.5), the pressure drop would have been reduced, by 0.15/0.5 · 29500 = 8900 Pa, to 38000 Pa which is 3.5 % of set pressure.*

$$= 10.6 \cdot 4 = 42.4 \text{ kg/s}$$

$$D_{\text{exit}} = 0.5 \text{ m.}$$

$$G_p = \frac{42.4}{\pi \cdot 0.5^2 / 4} = 215.9 \text{ kg/(m}^2 \cdot \text{s)}$$

$$P_{\text{ec}} = 215.9 \cdot \left(\frac{1420000 \cdot 6.09}{466.2} \right)^{1/2} =$$

$$= 215.9 \cdot 136.2 = 29400 \text{ Pa (0.29 bar a)}$$

Thus the exit flow is not choked and the vent pipe exit pressure is 100000 Pa (1 bar a)

By 2.6 The exit vapour fraction, x_e , assuming a fire exposure heat flux of 108 kW/m² into uninsulated vent discharge piping at the Code rated two-phase flow rate, is estimated.

By equation (7) and from Table A.1:

where

$$\Sigma \frac{a}{W} = \frac{27.86 + 4.50}{42.4} + \frac{1.81}{21.2} + \frac{1.72}{10.6} = 1.011 \text{ m}^2 \cdot \text{s/kg}$$

and

$$x_e = \frac{524200 - 320300 + 108000 \cdot 1.011}{425200} = 0.74$$

By equation (8) and (9)

$$\rho_e = \frac{2.32}{0.74} = 3.14 \text{ kg/m}^3 \text{ and } v_e = 0.319 \text{ m}^3/\text{kg}$$

By 2.7 The pressure drops between the vent discharge piping nodes are estimated by equation (5), with iteration until the upstream node absolute pressure, vapour fraction and specific volume are justified, and working section by section back up the pipe to the PRV.

Section B to A and from Table A.1:

where

$$G_p = 4 \cdot \frac{10.6}{\pi} \cdot \frac{0.5^2}{4} = 215.9 \text{ kg/(m}^2 \cdot \text{s)}$$

By first approximation

$$\begin{aligned}\Delta P &= 0.5 \cdot 215.9^2 \cdot 0.319 \cdot 2.313 \\ &= 17200 \text{ Pa (0.17 bar)}\end{aligned}$$

Try $P_B = 1.18 \text{ bar a}$

By equation (7) and from Table A.1:

where

$$\sum \frac{a}{W} = \frac{27.86}{42.4} + \frac{1.81}{21.2} + \frac{1.72}{10.6} = 0.9048 \text{ m}^2 \cdot \text{s/kg}$$

and

$$x_B = \frac{524200 - 328700 + 108000 - 0.9048}{421600} = 0.70$$

By equations (8) and (9):

$$\rho_B = \frac{2.73}{0.70} = 3.90 \text{ kg/m}^3$$

$$v_B = 0.256 \text{ m}^3/\text{kg}$$

By equations (5):

$$\begin{aligned}\Delta P &= 215.9^2 \cdot (0.319 - 0.256) + 0.5 \cdot 215.9^2 \cdot \left(\frac{0.319 + 0.256}{2} \right) \cdot 2.313 \\ &= 2900 + 15500 = 18400 \text{ Pa (0.18 bar) and}\end{aligned}$$

$P_B = 1.18 \text{ bar a}$

By 2.8 and P_{ec} at

$$B = 337.3 \cdot 136.2 = 46000 \text{ Pa (0.46 bar a)}$$

using mass flux at exit from section F to B

Section F to B and from Table A.1:

where

$$G_p = 4 \cdot \frac{10.6}{\pi} \cdot \frac{0.4^2}{4} = 337.3 \text{ kg/(m}^2 \cdot \text{s)}$$

By first approximation:

$$\begin{aligned}\Delta P &= 0.5 \cdot 337.3^2 \cdot 0.256 \cdot 1.808 \\ &= 26300 \text{ Pa (0.26 bar)}\end{aligned}$$

$$P_F = 1.18 + 0.26 = 1.44. \text{ Try } 1.51 \text{ bar a}$$

By equation (7) and from Table A.1:

where

$$\Sigma \frac{a}{W} = \frac{1.81}{21.2} + \frac{1.72}{10.06} = 0.2477 \quad \text{m}^2 \cdot \text{s/kg}$$

and

$$x_F = \frac{524200 - 343300 + 108000 \cdot 0.2477}{412600} = 0.50$$

By equations (8) and (9):

$$\rho_F = \frac{3.45}{0.50} = 6.90 \text{ kg/m}^3$$

$$v_F = 0.145 \text{ m}^3/\text{kg}$$

By equation (5):

$$\begin{aligned}\Delta P &= 337.3^2 (0.256 - 0.145) + 0.5 \cdot 337.3^2 \left(\frac{0.256 + 0.145}{2} \right) \cdot 1.808 \\ &= 12600 + 20600 + 33200 \text{ Pa (0.33 bar)}\end{aligned}$$

and

$$P_F = 1.18 + 0.33 = 1.51 \text{ bar a}$$

By 2.8 and P_{ec} at

$$F = 168.7 \cdot 136.2 = 23000 \text{ Pa (0.23 bar a)}$$

Section G to F and from Table A.1:

where

$$G_p = 2 \cdot \frac{10.6}{\pi} \cdot \frac{0.4^2}{4} = 168.7 \text{ kg/(m}^2 \cdot \text{s)}$$

By first approximation

$$\begin{aligned}\Delta P &= 0.5 \cdot 168.7^2 \cdot 0.145 \cdot 1.132 \\ &= 2300 \text{ Pa (0.02 bar)}\end{aligned}$$

This pressure drop is too small to justify a more accurate estimation. For the purposes of this calculation, we can assume the specific volume remains constant from G to L.

Section J to G and from Table A.1:

where

$$G_p = 2 \cdot \frac{10.6}{\pi} \cdot \frac{0.3^2}{4} = 299.9 \text{ kg/(m}^2 \cdot \text{s)}$$

By first approximation:

$$\begin{aligned}\Delta P &= 0.5 \cdot 299.9^2 \cdot 0.145 \cdot 0.071 \\ &= 500 \text{ Pa (0.01 bar)}\end{aligned}$$

Section L to J and from Table A.1:

$$G_p = \frac{10.6}{\pi} \cdot \frac{0.3^2}{4} = 149.9 \text{ kg/(m}^2 \cdot \text{s)}$$

By first approximation:

$$\begin{aligned}\Delta P &= 0.5 \cdot 149.9^2 \cdot 0.145 \cdot 0.621 \\ &= 1000 \text{ Pa (0.01 bar)}\end{aligned}$$

$$P_L = 1.51 + 0.02 + 0.01 + 0.01 = 1.55 \text{ bar a at exit from conical expansion fitting.}$$

By equation (7):

$$x_L = \frac{524200 - 344600 + 0}{415800} = 0.432$$

By equations (8) and (9):

$$\rho_L = \frac{3.54}{0.432} = 8.19 \text{ kg/m}^3$$

$$v = 0.122 \text{ m}^3/\text{kg}$$

Conical expansion fitting at L:

In accordance with Procedure 2.7 last paragraph, the static inlet pressure to this fitting is assumed to be 1.55 bar a.

Section PRV and from Table A.1:

where

$$G_p = \frac{10.6 \cdot 0.1^2}{\pi \cdot 4} = 1349.9 \quad \text{kg}/(\text{m}^2 \cdot \text{s})$$

By 2.8 and P_{ec} at exit of pipe section from PRV to L = $1349 \cdot 136.2 = 184000$ Pa (1.84 bar a)

Therefore, the exit of the 100 mm diameter pipe section PRV to L is choked and the exit pressure at L is 1.84 bar a.

By equation (7) at 1.84 bar a:

$$x_L = \frac{524200 - 355100 + 0}{411600} = 0.411$$

By equations (8) and (9):

$$\rho_L = \frac{4.18}{0.411} = 10.17 \quad \text{kg}/\text{m}^3$$

$$v_L = 0.098 \text{ m}^3/\text{kg}$$

By first approximation:

$$\Delta P = 0.5 \cdot 1349^2 \cdot 0.098 \cdot 0.043$$

$$= 3800 \text{ Pa (0.04 bar)}$$

$$p_{PRV} = 1.84 + 0.04 = 1.88 \text{ bar a, 2.42 bar a}$$

By equation (7):

$$x_{PRV} = \frac{524200 - 371800}{403600} = 0.378$$

By equations (8) and (9):

$$\rho_{PRV} = \frac{5.49}{0.378} = 14.52 \quad \text{kg}/\text{m}^3$$

$$v_{PRV} = 0.069 \text{ m}^3/\text{kg}$$

By equation (5):

$$\begin{aligned}\Delta P &= 1349^2 \cdot (0.098 - 0.069) + 0.5 \cdot 1349^2 \cdot (0.098 + 0.069) \cdot 0.043 \cdot 0.5 \\ &= 52800 + 3300 = 56100 \text{ Pa (0.56 bar)}\end{aligned}$$

and

$$P_{PRV} = 1.84 + 0.56 = 2.40 \text{ bar a (1.40 bar a)}$$

By 2.9 Back pressure at Code PRV two-phase flow at 14.2 bar a is $1.40 \cdot 100/11.0 = 12.7 \%$ of set pressure (gauge) which assures adequate relief capacity for POPRVs.

By 2.10 Procedure for unbalanced PRVs only. The Procedures 2.5 to 2.8 are repeated in this worked example using the installed rated mass flow for information only.

By 2.5 At the installed rated two-phase mass flow $W = 28.25 \cdot 4 = 113.0 \text{ kg/s}$

By equation (6):

$$\begin{aligned}P_{cc} &= \frac{113.0}{\pi 0.5^2 / 4} \left(\frac{1420000 \cdot 6.09}{466.2} \right)^{1/2} \\ &= 78400 \text{ Pa (0.78 bar a)}.\end{aligned}$$

Thus exit flow is not choked and vent pipe exit pressure is 100000 Pa (1 bar a).

By 2.6 The exit vapour fraction is estimated by equation (7) $x_e = 0.58$ and the two-phase exit density and specific volume by equations (8) and (9).

$$\rho_e = 4.00 \text{ kg/m}^3;$$

$$v_e = 0.25 \text{ m}^3/\text{kg}.$$

By 2.7 Section B to A:

where

$$G_P = 575 \text{ kg}/(\text{m}^2 \cdot \text{s}); \quad \sum \frac{a}{W} = 0.339 \text{ m}^2 \cdot \text{s}/\text{kg}$$

$$x_B = 0.48; \quad \rho_B = 10.31 \text{ kg/m}^3; \quad v_B = 0.097 \text{ m}^3/\text{kg}$$

$$\Delta P = 116900 \text{ Pa (1.17 bar)};$$

$$P_B = 2.17 \text{ bar a}$$

$$P_{ec} = 899 \cdot 136.2 = 122000 \text{ Pa (1.22 bar a)}$$

Section F to B:

where

$$G_p = 899 \text{ kg}/(\text{m}^2 \cdot \text{s}); \sum \frac{a}{W} = 0.0929 \text{ m}^2 \cdot \text{s}/\text{kg}$$

$$X_F = 0.37; \rho_F = 18.17 \text{ kg}/\text{m}^3; v_F = 0.055 \text{ m}^3/\text{kg}$$

$$\Delta P = 89500 \text{ Pa (0.89 bar)};$$

$$P_F = 2.17 + 0.89 = 3.06 \text{ bar a}$$

$$P_{ec} = 449 \cdot 136.2 = 61000 \text{ Pa (0.61 bar a)}$$

Section G to F:

where

$$G_p = 499 \text{ kg}/(\text{m}^2 \cdot \text{s})$$

$$\Delta P = 6300 \text{ Pa (0.06 bar)}$$

Section J to G:

$$G_p = 799 \text{ kg}/(\text{m}^2 \cdot \text{s})$$

$$\Delta P = 1200 \text{ Pa (0.01 bar)}$$

Section L to J:

$$G_p = 400 \text{ kg}/(\text{m}^2 \cdot \text{s})$$

$$\Delta P = 2600 \text{ Pa (0.03 bar)}$$

$$P_L = 3.06 + 0.06 + 0.01 + 0.03 = 3.16 \text{ bar a}$$

$$x_L = 0.34; \rho_L = 20.44 \text{ kg}/\text{m}^3; v_L = 0.049 \text{ m}^3/\text{kg}$$

$$P_{ec} = 400 \cdot 136.2 = 54000 \text{ Pa (0.54 bar a)}$$

Conical Expansion Fitting at L:

By procedure 2.7, static inlet pressure is 3.16 bar a.

Section PRV to L:

$$G_p = 3596 \text{ kg}/(\text{m}^2 \cdot \text{s})$$

$$P_{ec} = 3596 \cdot 136.2 = 490000 \text{ Pa (4.9 bar a)}$$

Thus,

$$P_L = 4.90 \text{ bar a}$$

$$x_L = 0.270$$

$$x_{PRV} = 0.241$$

$$\Delta P = 83700 \text{ Pa (0.84 bar)}$$

$$P_{PRV} = 4.90 + 0.84 = 5.74 \text{ bar a or 4.74 bar g}$$

By 2.9 Back pressure at installed rated two-phase flow at 14.2 bar a is $4.74 \cdot 100/11.0 = 43.1$ % of set pressure (gauge) which assures normal full capacity operation of the POPRVs.

Summary of predictions

The predicted two-phase propane properties are shown at five node points in the PRV discharge vent piping, in Figure A.2 at the Code PRV flow-rate, and in Figure A.3 at the installed rated flow-rate. The flowing pressure drop in the piping to the PRV inlet is less than Guideline 1.3 requires. The built-up back pressure at the PRV outlet is also less than Guideline 1.4 requires for the pilot-operated PRVs installed.

The flowing pressure drop in the PRV inlet piping is well within Guideline 1.3 for the Code PRV all vapour flow-rate but exceeds the requirement for the installed rated all vapour flow-rate. However, the pressure drop is acceptable for reason expressed in the footnote to para. 1.3.2. The blowdown and closing pressure should be set to assure stable operation when both PRVs are open.

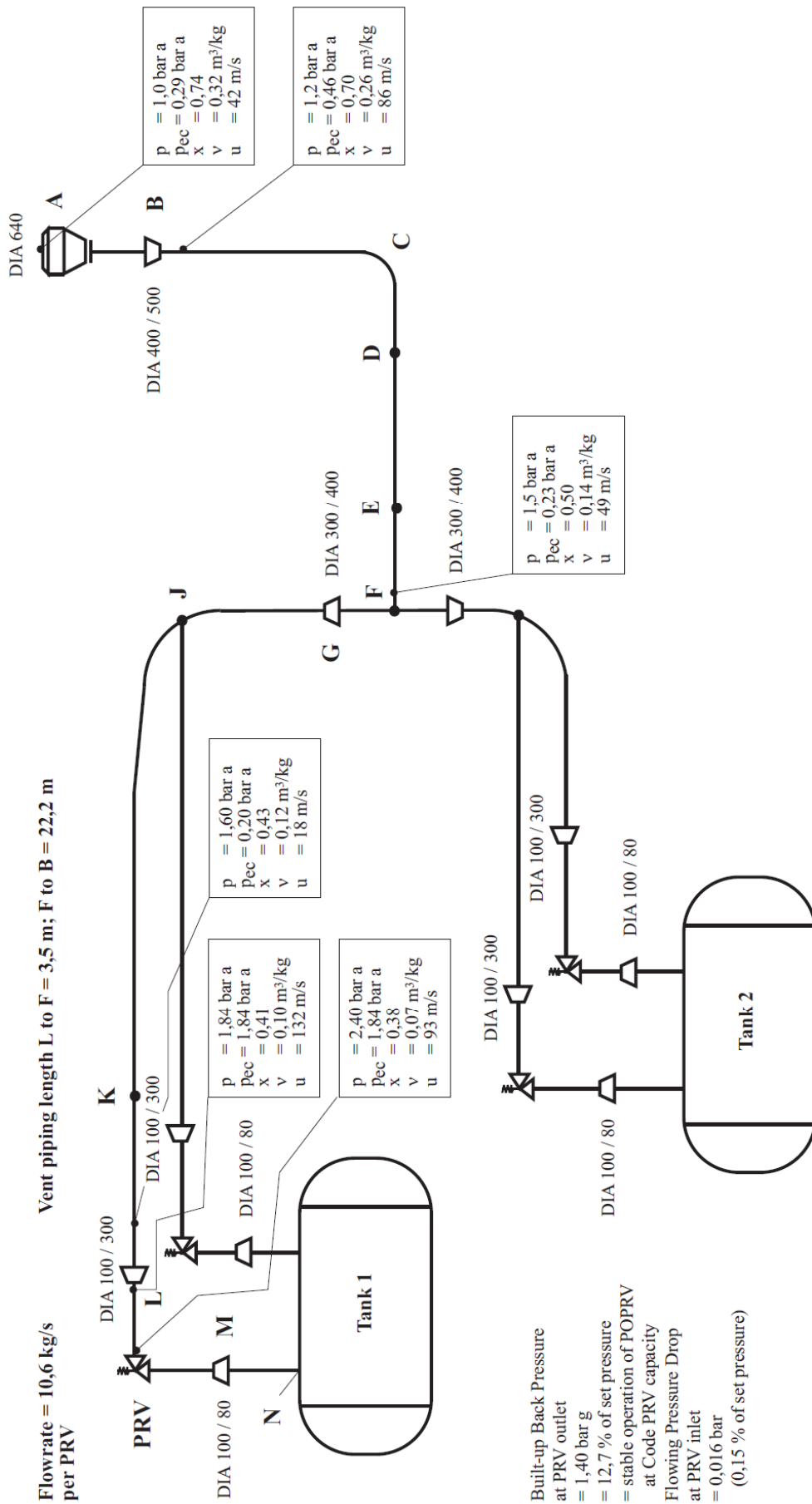


Figure A.2 Two-Phase Propane Properties at Code PRV Relief Flowrate
(Simplified Flow Sheet of a Cargo Tank Vent System with one Vent Stack connected to two Tanks)

These procedures are now applied to example case 3B in Dow Chemical Company's Report to CTAC using their RELief DESign program, February 25, 1992 (BCH 22/INF.6). Per RELDES RESULTS on page 9, the last two-phase flow of 106 lbs/sec (48.1 kg/s) occurs at a tank pressure of 169 psig (12.66 bar a), Quality (percent vapour by mass) is stated to be 0.10 % and Vessel Inventory is 76.2 % liquid propane. The PRV discharge vent pipe is assumed to be 10 ft long by 8 inches diameter (3.04 m length x 0.203 m dia) and PRV Orifice Area is 12.3 sq. in. ($7.935 \cdot 10^{-3} \text{ m}^2$), $K_d = 0.953$.

By equation (2):

$$G_v = 318600 \cdot 26.9 \cdot \left[\frac{1}{309.3 \cdot 2722} \right]^{1/2}$$

$$= 9341 \text{ kg}/(\text{m}^2 \cdot \text{s})$$

By equation (3), assuming $K_w = 0.8 \cdot 0.953 = 0.76$

$$W = 0.76 \cdot 0.007935 \cdot 9341 = 56.3 \text{ kg/s}$$

RELDES

prediction = 48.1 kg/s

Thus equations (2) and (3) predict a flow rate 17 % higher than RELDES.

By equation (6):

where

α_o = Vapour fraction by volume in tank

= 0.238 from Vessel Inventory

$$w = 0.238 + 0.762 + 475.0 \cdot 2722 \cdot 309.3 \cdot 1266000 \cdot (0.0372 - 0.002106)^2 \cdot 318600^{-2} = 4.92$$

and

$$P_{ec} = \left[\frac{48.1}{0.03237} \right] \cdot \left[\frac{1266000 \cdot 4.92}{475.0} \right]^{0.5}$$

$$= 170200 \text{ Pa (1.70 bar a)}$$

At 12.66 bar a, Vapour Fraction by mass at PRV inlet.

Vapour mass per cubic metre = $0.238 \cdot 26.9 = 6.402 \text{ kg}$

Liquid Mass per cubic metre = $0.762 \cdot 475.0 = 361.95 \text{ kg}$

Total Mass per cubic metre = 368.35 kg

and Vapour Fraction = $6.4/368 = 0.017$

or Quality = 1.7% compared to RELDES 0.10% .

At vent piping exit back pressure = 1.70 bar a

$$x_e = 0.0017 \cdot 0.983 \cdot \left[\frac{510400 \cdot 350500}{413700} \right] = 0.40$$

and

$$\rho_e = \frac{3.88}{0.40} = 9.70 \text{ kg/m}^3$$

$$v_e = 0.103 \text{ m}^3/\text{kg}$$

$$G_p = \frac{48.1}{0.03237} = 1486 \text{ kg/(m}^2 \cdot \text{s)}$$

say at inlet to vent discharge pipe back pressure = 3.31 bar a :

$$x_i = 0.017 + 0.983 \cdot \left[\frac{510400 \cdot 392300}{393600} \right] = 0.31$$

and

$$\rho_i = \frac{7.33}{0.31} = 23.6 \text{ kg/m}^3$$

$$v_i = 0.042 \text{ m}^3/\text{kg}$$

By equation (5), where $4f L/D = 4 \cdot 0.005 \cdot 3.04/0.203 = 0.30$

$$\begin{aligned} \Delta P &= 1486^2 \cdot (0.103 - 0.042) + 0.5 \cdot 1486^2 \cdot (0.103 + 0.042) \cdot 0.3 \cdot 0.5 \\ &= 134700 + 24000 = 158700 \text{ Pa (1.59 bar)} \end{aligned}$$

Thus Back Pressure at PRV discharge flange:

$$= 1.70 + 1.59 = 3.29 \text{ bar a or } = 2.29 \text{ bar g (33.2 psig) for comparison with RELDES prediction 32.8 psig}$$

= Thus **equations (6), (7), (8), (9) and (5)** predict a Back Pressure 1% higher than RELDES