

TÜRK LOYDU



Regulations for The Performance of The Type Tests Part 1 - Test Specification For Type Approval JAN 2016

This latest edition incorporates all rule changes. The latest revisions are shown with a vertical line. The section title is framed if the section is revised completely. Changes after the publication of the rule are written in red colour.

Unless otherwise specified, these Rules apply to ships for which the date of contract for construction as defined in IACS PR No.29 is on or after 1st of January 2016. New rules or amendments entering into force after the date of contract for construction are to be applied if required by those rules. See Rule Change Notices on TL website for details.

"General Conditions" of the respective latest edition will be applicable (see Rules for Classification and Surveys).

If there is a difference between the rules in English and in Turkish, the rule in English is to be considered as valid. This publication is available in print and electronic pdf version. Once downloaded, this document will become UNCONTROLLED. Please check the website below for the valid version.

<http://www.turkloydu.org>

All rights are reserved by Türk Loydu, and content may not be reproduced, disseminated, published, or transferred in any form or by any means, except with the prior written permission of TL.

TÜRK LOYDU

Head Office Postane Mah. Tersaneler Cad. No:26 Tuzla 34944 İSTANBUL / TÜRKİYE
Tel : (90-216) 581 37 00
Fax : (90-216) 581 38 00
E-mail : info@turkloydu.org
<http://www.turkloydu.org>

Regional Offices

Ankara Eskişehir Yolu Mustafa Kemal Mah. 2159. Sokak No : 6/4 Çankaya - ANKARA / TÜRKİYE
Tel : (90-312) 219 56 34
Fax : (90-312) 219 68 25
E-mail : ankara@turkloydu.org

İzmir Atatürk Cad. No :378 K.4 D.402 Kavalalılar Apt. 35220 Alsancak - İZMİR / TÜRKİYE
Tel : (90-232) 464 29 88
Fax : (90-232) 464 87 51
E-mail : izmir@turkloydu.org

Adana Çınarlı Mah. Atatürk Cad. Aziz Naci İş Merkezi No:5 K.1 D.2 Seyhan - ADANA / TÜRKİYE
Tel : (90- 322) 363 30 12
Fax : (90- 322) 363 30 19
E-mail : adana@turkloydu.org

Marmaris Atatürk Cad. 99 Sok. No:1 Ketenbaş Apt. Kat:4 Daire 6 Marmaris - MUĞLA /TÜRKİYE
Tel : (90- 252) 412 46 55
Fax : (90- 252) 412 46 54
E-mail : marmaris@turkloydu.org

Test Specification For Type Approval

	Page
A. General.....	1
B. Testing.....	1

Test Specification for Type Approval

A. General

This Test Specification is applicable, but not confined, to electrical, electronic and programmable equipment intended for* control, monitoring, alarm and protection systems for use in ships.

B. Testing

These tests are to demonstrate the ability of the equipment to function as intended under the specified testing conditions.

The extent of the testing (i.e. the selection and sequence of carrying out tests and number of pieces to be tested) is to be determined upon examination and evaluation of the equipment or component subject to testing giving due regard to its intended usage.

Equipment is to be tested in its normal position if otherwise not specified in the test specification.

Relevant tests are as listed in the Table.

Note:

- a) * These test requirements are harmonised with IEC 60092-504 "Electrical Installations in Ships - Part 504: Special features - Control and Instrumentation" and IEC 60533 "Electrical and electronic installations in ships – electromagnetic compatibility". Electrical and electronic equipment on board ships, required neither by classification rules nor by International Conventions, liable to cause electromagnetic disturbance shall be of type which fulfil the test requirements of test specification items 19 and 20.
- b) As used in this document, and in contrast to a complete performance test, a functional test is a simplified test sufficient to verify that the equipment under test (EUT) has not suffered any deterioration caused by the individual environmental tests.

Type testing condition for equipment covered by item A.

NO.	TEST	PROCEDURE ACC. TO:*	TEST PARAMETERS	OTHER INFORMATION		
* indicates the testing procedure which is normally to be applied. However, equivalent testing procedure may be accepted by TL provided that the requirements stated in the other columns are fulfilled. The latest edition of the normative reference applies.						
1.	Visual inspection	-	-	- conformance to drawings, design data		
2.	Performance test	Manufacturer performance test programme based upon specification and relevant Rule requirements. When the EUT is required to comply with an international performance standard, e.g. protection relays, verification of requirements in the standard are to be part of the performance testing required in this initial test and subsequent performance tests after environmental testing where required in this rule.	<ul style="list-style-type: none"> - standard atmosphere conditions - temperature: 25°C ± 10°C - relative humidity: 60% ± 30% - air pressure: 96 KPa ± 10KPa 	<ul style="list-style-type: none"> - confirmation that operation is in accordance with the requirements specified for particular system or equipment; - checking of self-monitoring features; - checking of specified protection against an access to the memory; - checking against effect of unerroneous use of control elements in the case of computer systems. 		
3.	External power supply failure	-	<ul style="list-style-type: none"> - 3 interruptions during 5 minutes; - switching-off time 30 s each case 	- The time of 5 minutes may be exceeded if the equipment under test needs a longer time for start-up, e.g. booting sequence		
4.	Power supply variations a) electric	-	AC SUPPLY			<ul style="list-style-type: none"> - For equipment which requires booting, one additional power supply interruption during booting to be performed Verification of: - equipment behaviour upon loss and restoration of supply; - possible corruption of programme or data held in programmable electronic systems, where applicable.
			Combination	Voltage variation permanent %	Frequency variation permanent %	
			1	+6	+5	
			2	+6	-5	
			3	-10	-5	
			4	-10	+5	
	voltage transient 1,5 s %	frequency transient 5 s %				
5	+20	+10				
6	-20	-10				

NO.	TEST	PROCEDURE ACC. TO:*	TEST PARAMETERS	OTHER INFORMATION						
	b) pneumatic and hydraulic		<p style="text-align: center;">DC SUPPLY</p> <table border="1" data-bbox="1070 245 1503 387"> <tr> <td data-bbox="1070 245 1290 300">Voltage tolerance continuous</td> <td data-bbox="1290 245 1503 300">±10%</td> </tr> <tr> <td data-bbox="1070 300 1290 354">Voltage cyclic variation</td> <td data-bbox="1290 300 1503 354">5%</td> </tr> <tr> <td data-bbox="1070 354 1290 387">Voltage ripple</td> <td data-bbox="1290 354 1503 387">10%</td> </tr> </table> <p data-bbox="1070 427 1503 667">Electric battery supply: - +30% to -25% for equipment connected to charging battery or as determined by the charging/discharging characteristics, including ripple voltage from the charging device; - +20% to -25% for equipment not connected to the battery during charging.</p> <p data-bbox="1070 699 1503 746">Pressure: ±20% Duration: 15 minutes</p>	Voltage tolerance continuous	±10%	Voltage cyclic variation	5%	Voltage ripple	10%	
Voltage tolerance continuous	±10%									
Voltage cyclic variation	5%									
Voltage ripple	10%									
5.	Dry heat	IEC 60068-2-2	Temperature: 55° ± 2°C Duration: 16 hours or Temperature: 70°C ± 2°C Duration: 16 hours (see note 1)	<ul style="list-style-type: none"> - equipment operating during conditioning and testing; - functional test (b) during the last hour at the test temperature. - for equipment specified for increased temperature the dry heat test is to be conducted at the agreed test temperature and duration. 						
6.	Damp heat	IEC 60068-2-30 test Db	Temperature: 55°C Humidity: 95% Duration: 2 cycles 2 x (12 +12 hours)	<ul style="list-style-type: none"> - measurement of insulation resistance before test; - the test shall start with 25°C ± 3°C and at least 95% humidity; - equipment operating during the complete first cycle and switched off during second cycle except for functional test; - functional test during the first 2 hours of the first cycle at the test temperature and during the last 2 hours of the second cycle at the test temperature; Duration of the second cycle can be extended due to more convenient handling of the functional test. 						

NO.	TEST	PROCEDURE ACC. TO:*	TEST PARAMETERS	OTHER INFORMATION
				<ul style="list-style-type: none"> - recovery at standard atmosphere conditions; - insulation resistance measurements and performance test.
7.	Vibration	IEC 60068-2-6 Test F _c	<p>2⁺³₋₀ Hz to 13.2 Hz – amplitude ±1mm</p> <p>13.2 Hz to 100 Hz – acceleration ± 0.7 g. For severe vibration conditions such as, e.g. on diesel engines, air compressors, etc.:</p> <p>2.0 Hz to 25 Hz – amplitude ±1.6 mm 25.0 Hz to 100 Hz – acceleration ± 4.0 g.</p> <p>Note: More severe conditions may exist for example on exhaust manifolds or fuel oil injection systems of diesel engines. For equipment specified for increased vibration levels the vibration test is to be conducted at the agreed vibration level, frequency range and duration. Values may be required to be in these cases 40 Hz to 2000 Hz - acceleration ± 10.0g at 600°C, duration 90 min.*</p>	<ul style="list-style-type: none"> - duration in case of no resonance condition 90 minutes at 30 Hz; - duration at each resonance frequency at which Q_c is recorded - 90 minutes; - during the vibration test, functional tests are to be carried out; - tests to be carried out in three mutually perpendicular planes; - it is recommended as guidance that Q does not exceed 5. - where sweep test is to be carried out instead of the discrete frequency test and a number of resonant frequencies is detected close to each other, duration of the test is to be 120 min. Sweep over a restricted frequency range between 0.8 and 1.2 times the critical frequencies can be used where appropriate. Note: Critical frequency is a frequency at which the equipment being tested may exhibit: <ul style="list-style-type: none"> - malfunction and/or performance deterioration - mechanical resonances and/or other response effects occur, e.g. chatter
8.	Inclination	IEC 60092-504	<p>Static 22.5°</p> <p>Dynamic 22.5°</p>	<p>a) inclined to the vertical at an angle of at least 22.5°</p> <p>b) inclined to at least 22.5° on the other side of the vertical and in the same plane as in (a),</p> <p>c) inclined to the vertical at an angle of at least 22.5° in plane at right angles to that used in (a),</p> <p>d) inclined to at least 22.5° on the other side of the vertical and in the same plane as in (c).</p> <p>Note: The period of testing in each position should be sufficient to fully evaluate the behaviour of the equipment.</p> <p>Using the directions defined in a) to d) above, the</p>

NO.	TEST	PROCEDURE ACC. TO:*	TEST PARAMETERS	OTHER INFORMATION														
				<p>equipment is to be rolled to an angle of 22.5° each side of the vertical with a period of 10 seconds. The test in each direction is to be carried out for not less than 15 minutes.</p> <p>On ships for the carriage of liquified gases and chemicals, the emergency power supply is to remain operational with the ship flooded up to a maximum final athwart ship inclination of 30°.</p> <p>Note: These inclination tests are normally not required for equipment with no moving parts.</p>														
9.	Insulation resistance		<table border="1"> <thead> <tr> <th rowspan="2">Rated supply voltage Un (V)</th> <th rowspan="2">Test voltage (D.C. voltage) (V)</th> <th colspan="2">Min. insulation resistance</th> </tr> <tr> <th>before test M ohms</th> <th>after test M ohms</th> </tr> </thead> <tbody> <tr> <td>Un ≤ 65</td> <td>2 x Un min. 24V</td> <td>10</td> <td>1,0</td> </tr> <tr> <td>Un > 65</td> <td>500</td> <td>100</td> <td>10</td> </tr> </tbody> </table>	Rated supply voltage Un (V)	Test voltage (D.C. voltage) (V)	Min. insulation resistance		before test M ohms	after test M ohms	Un ≤ 65	2 x Un min. 24V	10	1,0	Un > 65	500	100	10	<p>- For high voltage equipment, reference is made to UR E11.</p> <p>- insulation resistance test is to be carried out before and after: damp heat test, cold test, salt mist test and high voltage test;</p> <p>- between all phases and earth; and where appropriate, between the phases.</p> <p>Note: Certain components e.g. for EMC protection may be required to be disconnected for this test.</p>
Rated supply voltage Un (V)	Test voltage (D.C. voltage) (V)	Min. insulation resistance																
		before test M ohms	after test M ohms															
Un ≤ 65	2 x Un min. 24V	10	1,0															
Un > 65	500	100	10															
10.	High voltage		<table border="1"> <thead> <tr> <th>Rated voltage Un (V)</th> <th>Test voltage (A.C. voltage 50 or 60Hz) (V)</th> </tr> </thead> <tbody> <tr> <td>Up to 65</td> <td>2 x Un + 500</td> </tr> <tr> <td>66 to 250</td> <td>1500</td> </tr> <tr> <td>251 to 500</td> <td>2000</td> </tr> <tr> <td>501 to 690</td> <td>2500</td> </tr> </tbody> </table>	Rated voltage Un (V)	Test voltage (A.C. voltage 50 or 60Hz) (V)	Up to 65	2 x Un + 500	66 to 250	1500	251 to 500	2000	501 to 690	2500	<p>- For high voltage equipment, reference is made to UR E11.</p> <p>- separate circuits are to be tested against each other and all circuits connected with each other tested against earth;</p> <p>- printed circuits with electronic components may be removed during the test;</p> <p>- period of application of the test voltage: 1 minute</p>				
Rated voltage Un (V)	Test voltage (A.C. voltage 50 or 60Hz) (V)																	
Up to 65	2 x Un + 500																	
66 to 250	1500																	
251 to 500	2000																	
501 to 690	2500																	
11.	Cold	IEC 60068-2-1	<p>Temperature: +5°C ± 3°C Duration: 2 hours or Temperature: -25°C ± 3°C Duration: 2 hours (see note 2)</p>	<p>- initial measurement of insulation resistance;</p> <p>- equipment not operating during conditioning and testing except for functional test;</p> <p>- functional test during the last hour at the test temperature;</p> <p>- insulation resistance measurement and the functional test after recovery</p>														

NO.	TEST	PROCEDURE ACC. TO:*	TEST PARAMETERS	OTHER INFORMATION
12.	Salt mist	IEC 60068-2-52 Test Kb	Four spraying periods with a storage of 7 days after each.	<ul style="list-style-type: none"> - initial measurement of insulation resistance and initial functional test; - equipment not operating during conditioning; - functional test on the 7th day of each storage period; - insulation resistance measurement and performance test 4 to 6h after recovery. (see Note 3) - on completion of exposure, the equipment shall be examined to verify that deterioration or corrosion (if any) is superficial in nature.
13.	Electrostatic discharge	IEC 61000-4-2	Contact discharge: 6kV Air discharge: 2kV, 4kV, 8kV Interval between single discharges: 1 sec. No. of pulses: 10 per polarity According to test level 3.	<ul style="list-style-type: none"> - to simulate electrostatic discharge as may occur when persons touch the appliance; - the test is to be confined to the points and surfaces that can normally be reached by the operator; - Performance Criterion B (See Note 4).
14.	Electromagnetic field	IEC 61000-4-3	Frequency range: 80 MHz to 2 GHz Modulation**: 80% AM at 1000Hz Field strength: 10V/m Frequency sweep rate: $\leq 1.5 \times 10^{-3}$ decades/s (or 1%/3 sec) According to test level 3.	<ul style="list-style-type: none"> - to simulate electromagnetic fields radiated by different transmitters; - the test is to be confined to the appliances exposed to direct radiation by transmitters at their place of installation. - Performance criterion A (See Note 5) <p>**If for tests of equipment an input signal with a modulation frequency of 1000 Hz is necessary a modulation frequency of 400 Hz may be chosen.</p>
15.	Conducted low Frequency		AC: Frequency range: rated frequency to 200th harmonic; Test voltage (rms): 10% of supply to 15th harmonic reducing to 1% at 100th harmonic and maintain this level to the 200th harmonic, min 3 V r.m.s, max 2 W. DC: Frequency range: 50 Hz - 10 kHz;	<ul style="list-style-type: none"> - to stimulate distortions in the power supply system generated for instance, by electronic consumers and coupled in as harmonics; - performance criterion A (see Note 5). - See figure - "Test set-up" - for keeping max. 2W, the voltage of the test signal may be lower.

NO.	TEST	PROCEDURE ACC. TO:*	TEST PARAMETERS	OTHER INFORMATION
			Test voltage (rms): 10% of supply max. 2 W	
16.	Conducted Radio Frequency	IEC 61000-4-6	AC, DC, I/O ports and signal/control lines: Frequency range: 150 kHz - 80 MHz Amplitude: 3 V rms (See Note 6) Modulation ***: 80% AM at 1000 Hz Frequency sweep range: $\leq 1.5 \times 10^{-3}$ decades/s (or 1%/3sec.) According to test level 2.	- Equipment design and the choice of materials is to stimulate electromagnetic fields coupled as high frequency into the test specimen via the connecting lines. - performance criterion A (see Note 5). *** If for tests of equipment an input signal with a modulation frequency of 1000 Hz is necessary a modulation frequency of 400 Hz may be chosen.
17.	Electrical Fast Transients / Burst	IEC 61000-4-4	Single pulse rise time: 5 ns (between 10% and 90% value) Single pulse width: 50 ns (50% value) Amplitude (peak): 2kV line on power supply port/earth; 1kV on I/O data control and communication ports (coupling clamp) Pulse period: 300 ms; Burst duration: 15 ms; Duration/polarity: 5 min According to test level 3.	- arcs generated when actuating electrical contacts; - interface effect occurring on the power supply, as well as at the external wiring of the test specimen; - performance criterion B (see Note 4).
18.	Surge	IEC 61000-4-5	Test applicable to AC and DC power ports Open-circuit voltage: Pulse rise time: 1.2 μ s (front time) Pulse width: 50 μ s (time to half value) Amplitude (peak): 1kV line/earth; 0.5kV line/line Short-circuit current: Pulse rise time: 8 μ s (front time) Pulse width: 20 μ s (time to half value) Repetition rate: ≥ 1 pulse/min No of pulses: 5 per polarity Application: continuous According to test level 2.	- interference generated for instance, by switching "ON" or "OFF" high power inductive consumers; - test procedure in accordance with figure 10 of the standard for equipment where power and signal lines are identical; - performance criterion B (see Note 4).

NO.	TEST	PROCEDURE ACC. TO:*	TEST PARAMETERS	OTHER INFORMATION																								
19.	Radiated Emission	CISPR 16-2-3	<p>For equipment installed in the bridge and deck zone.</p> <table border="1" data-bbox="1066 427 1507 619"> <thead> <tr> <th>Frequency range:</th> <th>Quasi peak limits:</th> </tr> </thead> <tbody> <tr> <td>0.15 - 0.3 MHz</td> <td>80 - 52 dBμV/m</td> </tr> <tr> <td>0.3 - 30 MHz</td> <td>52 - 34 dBμV/m</td> </tr> <tr> <td>30 - 2000 MHz</td> <td>54 dBμV/m</td> </tr> <tr> <td>except for:</td> <td></td> </tr> <tr> <td>156 -165 MHz</td> <td>24 dBμV/m</td> </tr> </tbody> </table> <p>For equipment installed in the general power distribution zone.</p> <table border="1" data-bbox="1066 754 1507 946"> <thead> <tr> <th>Frequency range:</th> <th>Quasi peak limits:</th> </tr> </thead> <tbody> <tr> <td>0.15 - 30 MHz</td> <td>80 - 50 dBμV/m</td> </tr> <tr> <td>30 - 100 MHz</td> <td>60 - 54 dBμV/m</td> </tr> <tr> <td>100 - 2000 MHz</td> <td>54 dBμV/m</td> </tr> <tr> <td>except for:</td> <td></td> </tr> <tr> <td>156 -165 MHz</td> <td>24 dBμV/m</td> </tr> </tbody> </table>	Frequency range:	Quasi peak limits:	0.15 - 0.3 MHz	80 - 52 dB μ V/m	0.3 - 30 MHz	52 - 34 dB μ V/m	30 - 2000 MHz	54 dB μ V/m	except for:		156 -165 MHz	24 dB μ V/m	Frequency range:	Quasi peak limits:	0.15 - 30 MHz	80 - 50 dB μ V/m	30 - 100 MHz	60 - 54 dB μ V/m	100 - 2000 MHz	54 dB μ V/m	except for:		156 -165 MHz	24 dB μ V/m	<p>- procedure in accordance with the standard but distance 3 m between equipment and antenna - alternatively the radiation limit at a distance of 3 m from the enclosure port over the frequency 156 MHz to 165 MHz shall be 30 dB micro-V/m peak.</p>
Frequency range:	Quasi peak limits:																											
0.15 - 0.3 MHz	80 - 52 dB μ V/m																											
0.3 - 30 MHz	52 - 34 dB μ V/m																											
30 - 2000 MHz	54 dB μ V/m																											
except for:																												
156 -165 MHz	24 dB μ V/m																											
Frequency range:	Quasi peak limits:																											
0.15 - 30 MHz	80 - 50 dB μ V/m																											
30 - 100 MHz	60 - 54 dB μ V/m																											
100 - 2000 MHz	54 dB μ V/m																											
except for:																												
156 -165 MHz	24 dB μ V/m																											
20.	Conducted Emission	CISPR 16-2-1	<p>Test applicable to AC and DC power ports</p> <p>For equipment installed in the bridge and deck zone.</p> <table border="1" data-bbox="1066 1110 1507 1217"> <thead> <tr> <th>Frequency range:</th> <th>Limits:</th> </tr> </thead> <tbody> <tr> <td>10 - 150 kHz</td> <td>96 - 50 dBμV</td> </tr> <tr> <td>150 - 350 kHz</td> <td>60 - 50 dBμV</td> </tr> <tr> <td>350 kHz - 30 MHz</td> <td>50 dBμV</td> </tr> </tbody> </table>	Frequency range:	Limits:	10 - 150 kHz	96 - 50 dB μ V	150 - 350 kHz	60 - 50 dB μ V	350 kHz - 30 MHz	50 dB μ V																	
Frequency range:	Limits:																											
10 - 150 kHz	96 - 50 dB μ V																											
150 - 350 kHz	60 - 50 dB μ V																											
350 kHz - 30 MHz	50 dB μ V																											

NO.	TEST	PROCEDURE ACC. TO:*	TEST PARAMETERS	OTHER INFORMATION								
			<p>For equipment installed in the general power distribution zone.</p> <table border="1" data-bbox="1064 339 1491 451"> <thead> <tr> <th data-bbox="1064 339 1272 368">Frequency range:</th> <th data-bbox="1272 339 1491 368">Limits:</th> </tr> </thead> <tbody> <tr> <td data-bbox="1064 368 1272 397">10 - 150 kHz</td> <td data-bbox="1272 368 1491 397">120 - 69 dBμV</td> </tr> <tr> <td data-bbox="1064 397 1272 426">150 - 500 kHz</td> <td data-bbox="1272 397 1491 426">79 dBμV</td> </tr> <tr> <td data-bbox="1064 426 1272 451">0.5 - 30 MHz</td> <td data-bbox="1272 426 1491 451">73 dBμV</td> </tr> </tbody> </table>	Frequency range:	Limits:	10 - 150 kHz	120 - 69 dB μ V	150 - 500 kHz	79 dB μ V	0.5 - 30 MHz	73 dB μ V	
Frequency range:	Limits:											
10 - 150 kHz	120 - 69 dB μ V											
150 - 500 kHz	79 dB μ V											
0.5 - 30 MHz	73 dB μ V											
21.	Flame retardant	IEC 60092-101 or IEC 60695-11-5	<p>Flame application: 5 times 15 s each. Interval between each application: 15s or 1 time 30s.</p> <p>Test criteria based upon application.</p> <p>The test is performed with the EUT or housing of the EUT applying needle-flame test method.</p>	<ul style="list-style-type: none"> - the burnt out or damaged part of the specimen by not more than 60 mm long. - no flame, no incandescence or - in the event of a flame or incandescence being present, it shall extinguish itself within 30 s of the removal of the needle flame without full combustion of the test specimen. - any dripping material shall extinguish itself in such a way as not to ignite a wrapping tissue. The drip height is 200 mm \pm 5 mm. 								

Notes:

1. Equipment to be mounted in consoles, housing etc. together with other equipment are to be tested with 70°C.
2. For equipment installed in non-weather protected locations or cold locations test is to be carried out at -25°C.
3. Salt mist test is to be carried out for equipment installed in weather exposed areas.
4. Performance Criterion B: (For transient phenomena): The EUT shall continue to operate as intended after the tests. No degradation of performance or loss of function is allowed as defined in the technical specification published by the manufacturer. During the test, degradation or loss of function or performance which is self recoverable is however allowed but no change of actual operating state or stored data is allowed.
5. Performance Criterion A: (For continuous phenomena): The Equipment Under Test shall continue to operate as intended during and after the test. No degradation of performance or loss of function is allowed as defined in relevant equipment standard and the technical specification published by the manufacturer.
6. For equipment installed on the bridge and deck zone, the test levels shall be increased to 10V rms for spot frequencies in accordance with IEC 60945 at 2, 3, 4, 6.2, 8.2, 12.6, 16.5, 18.8, 22, 25 MHz.

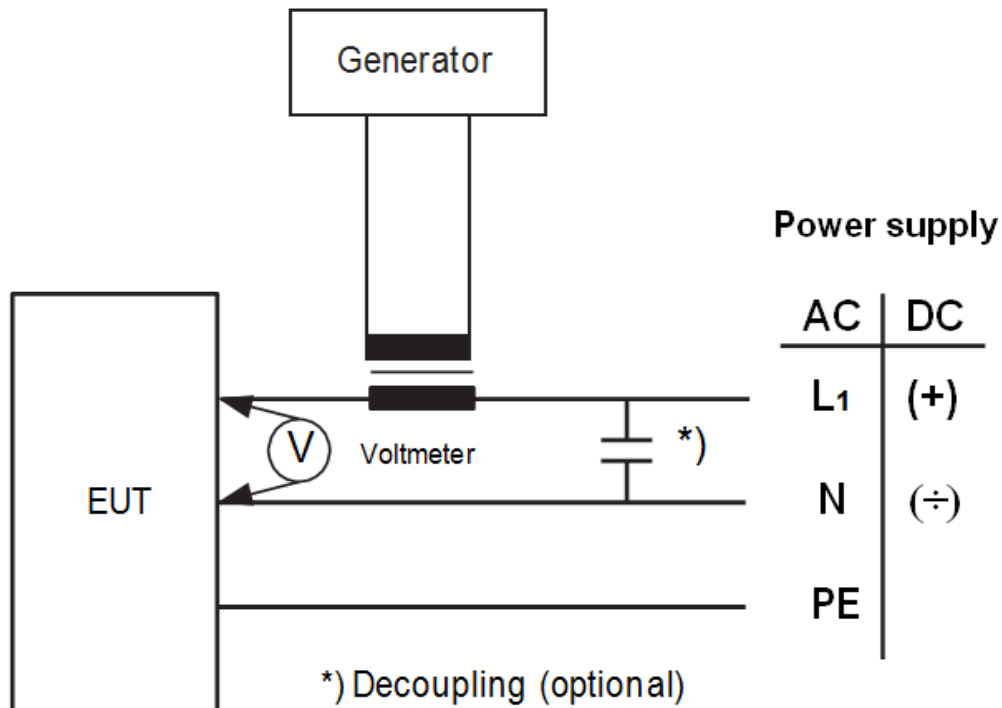


Figure - Test Set-up – Conducted Low Frequency Test